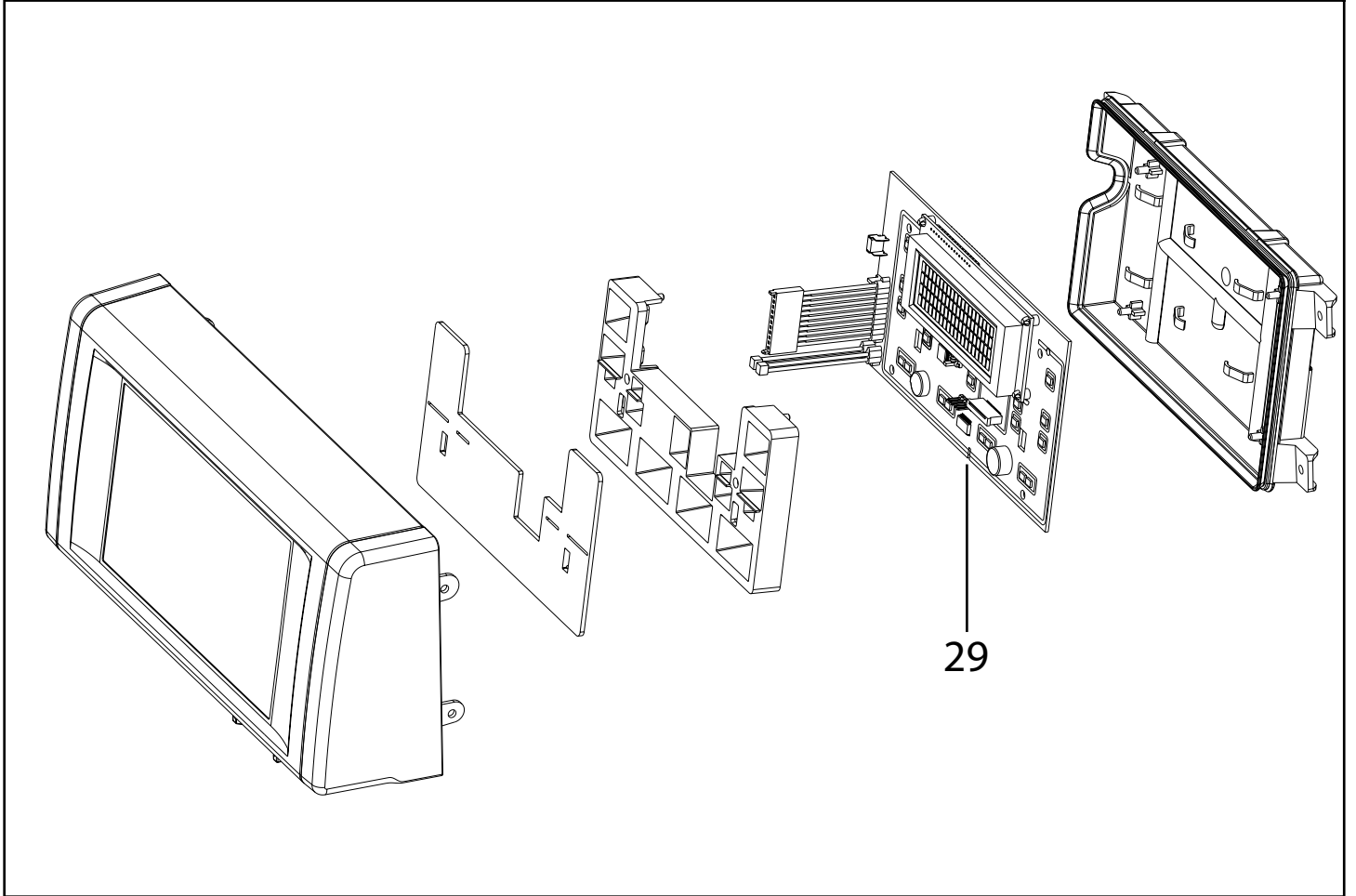
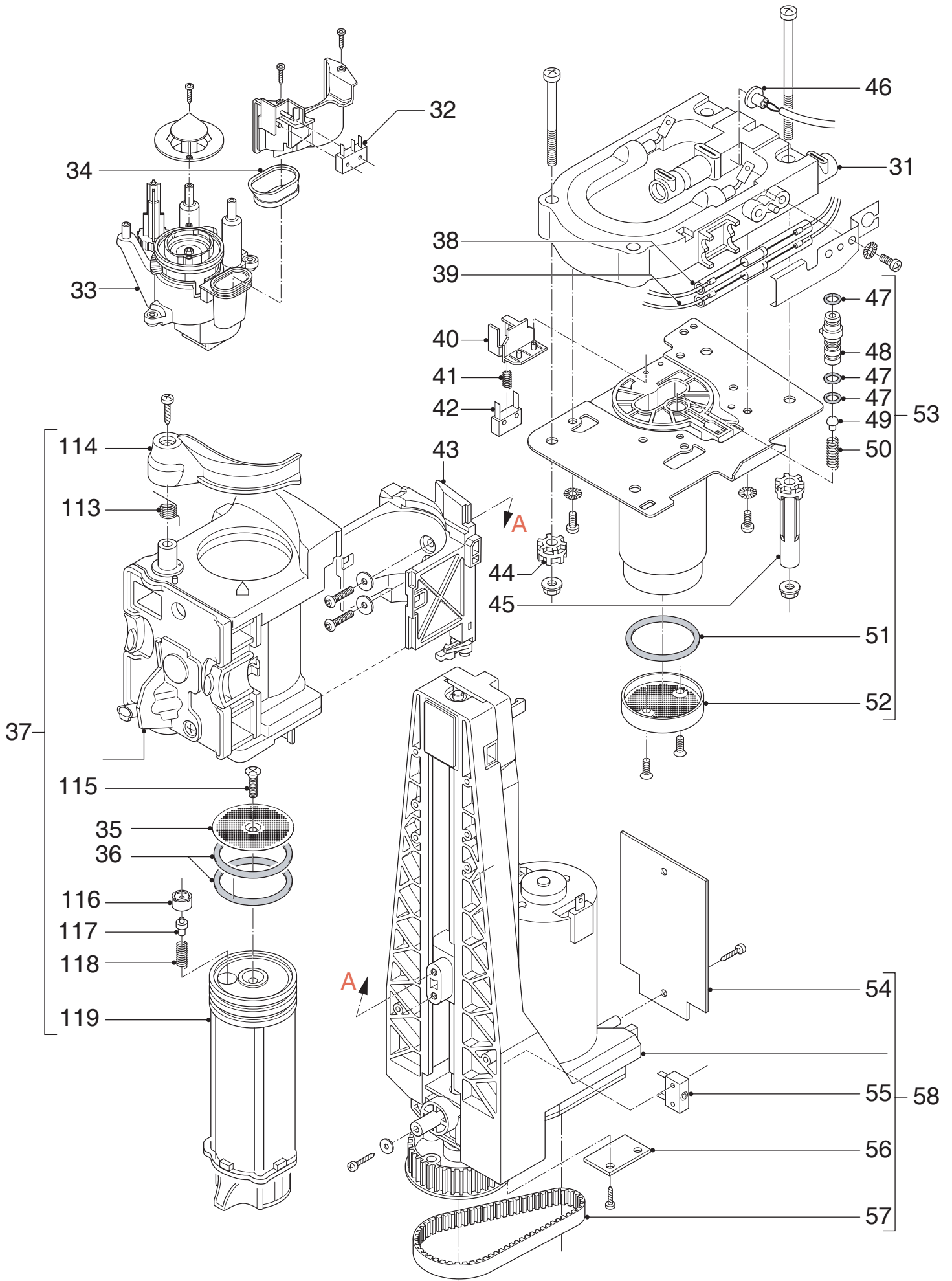
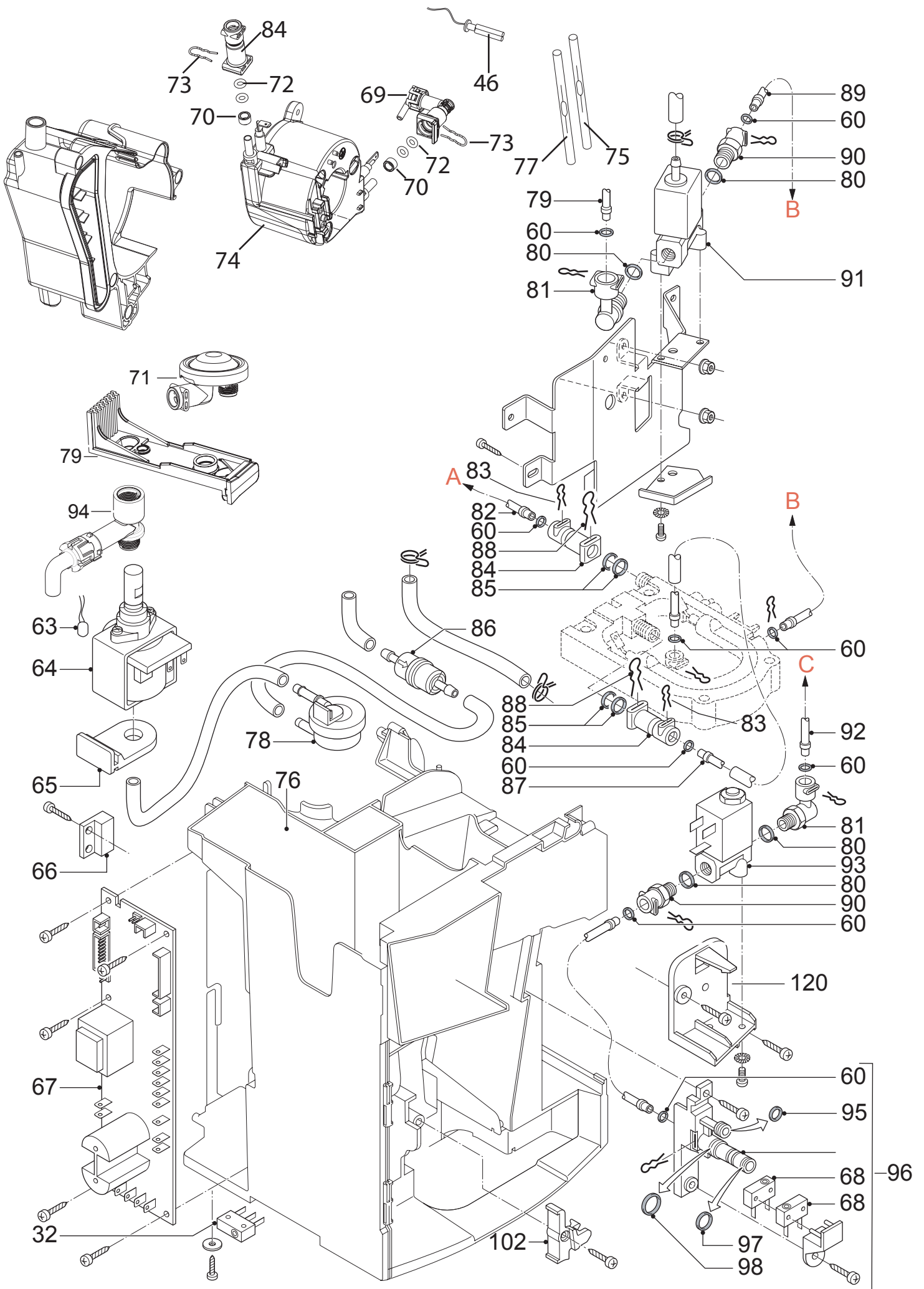


10



29





DE'LONGHI

## A RU INT EST SKA TR ESAM6700

Pos.1	Code	Description
	7313217261	MOTOR ASSEMBLY
	5313210401	COVER
	5332224100	MOTOR BELT GRINDER
	5332270300	EXPANSION CHAMBER LID
	5332108700	GASKET
001	5532152700	COPERCHIO
002	5532152800	COVER
003	5332266700	INSERT LOWER
004	5532152900	CLOSURE
005	5532153300	FIANCO SX
006	5313210961	KNOB
007	5532145700	SERBATOIO
008	5313212161	REAR PANEL
009	5532153100	FIANCO DX
010	7313216331	CONTROL PANEL ASSEMBLY
011	VI000	SEE TECHNICAL INFORMATION
012	7313224921	DOOR ASSY
013	5332142600	HOOK
014	5332226800	COVER
015	7332199300	TRAY
016	5513211201	PROFILE
017	7032115500	CUP PLATE
018	6032118300	CUP PLATE
019	5332225000	BOTTOM
020	5332266600	FLOAT
021	5332226300	MEASURING SPOON
022	7313211731	COVER
023	9930000980	CARAFE ASSMBLY
024	5313218431	COVER
025	5532150800	FILTER
026	5513214821	COUPLING CARAFE
027	5332259800	TUBE
028	5513210251	PIPETTE
029	5513213171	CONTROL BOARD
030	5132112500	SWITCH
031	5532139700	GENERATOR
032	5132105400	MICROSWITCH

DE'LONGHI

## A RU INT EST SKA TR ESAM6700

033:1	7332203600	COMPLETE GRINDER
034	5332144900	GASKET
035	6032105300	DIFFUSER
036	5332149100	O-RING
037	7332222900	INFUSION KIT
038	5013252061	TCO
039	5013252071	TCO
040	5332142200	SUPPORT
041	6132104700	SPRING
042	5132104100	MICROSWITCH
043	7332166600	SLIDER
044	5332142400	BUSH
045	5332142300	BUSH
046	5213211781	SENSOR NTC
047	5313217751	O-RING
048	5332213000	PIN
049	5332148400	VALVE
050	6132106900	SPRING
051	5332149100	O-RING
052	5332139200	FILTER
053	7313215501	INFUSOR
054	5213212381	BOARD
055	5132110500	MICROSWITCH
056	5213213971	HALL SENSOR
057	5332170600	BELT
058	7313216291	TRANSMISSION KIT
059	5332266500	TRAY
060	5313217701	O-RING D=3,85
061	5313216501	SUPPORT
062	7313219421	VALVE
063	5213211801	PROTECTOR
064	5132106900	PUMP
065	534848	SUPPORT
066	5213211791	SENSOR REED
067	VI000	SEE TECHNICAL INFORMATION
068	5132104100	MICROSWITCH
069	5313218931	CONNECTION
070	5332239300	SPACER

DE'LONGHI

## A RU INT EST SKA TR ESAM6700

071:1	5513211371	REGULATOR
072	5313217691	O-RING D=4,5
073	6113210021	SPRING
074	5513214291	GENERATOR
075	5013251931	WIRING TCO
076	VI000	SEE TECHNICAL INFORMATION
077	5013252121	TCO
078	5213214671	FLOWMETER
079	5313216501	SUPPORT
080	536373	GASKET
081	5332196900	CONNECTION
082	5513213501	TUBE PTFE DI2-DE4 L=150 2BUSHES
083	6132101300	CLIP
084	5332239200	CONNECTOR
085	535692	O-RING
087	5513213801	TUBE PTFE DI2-DE4 L=180 2BUSHES
088	6113210021	SPRING
089	5513213501	TUBE PTFE DI2-DE4 L=150 2BUSHES
090	5332196800	CONNECTION
091	5213212421	SOLENOID VALVE 3V METAL
092	5513213101	TUBE PTFE DI2-DE4 L=380 2BUSHES
093	5213210171	SOLENOID VALVE
094	7313219421	VALVE
095	5332196000	O-RING
096	5513214821	COUPLING CARAFE
097	5313217751	O-RING
098	5332177500	O-RING
100	9824800009	CLIP CLAMP
102	5332142600	HOOK
113	6132103500	SPRING
114	5332139800	LEVER
115	9812631250	SCREW
116	5332139600	STOPPER
117	5332139500	VALVE
118	6132112200	SPRING
119	5332140300	PISTON
120	5313219001	SUPPORT