
**GAGGIA® SUP034PR**

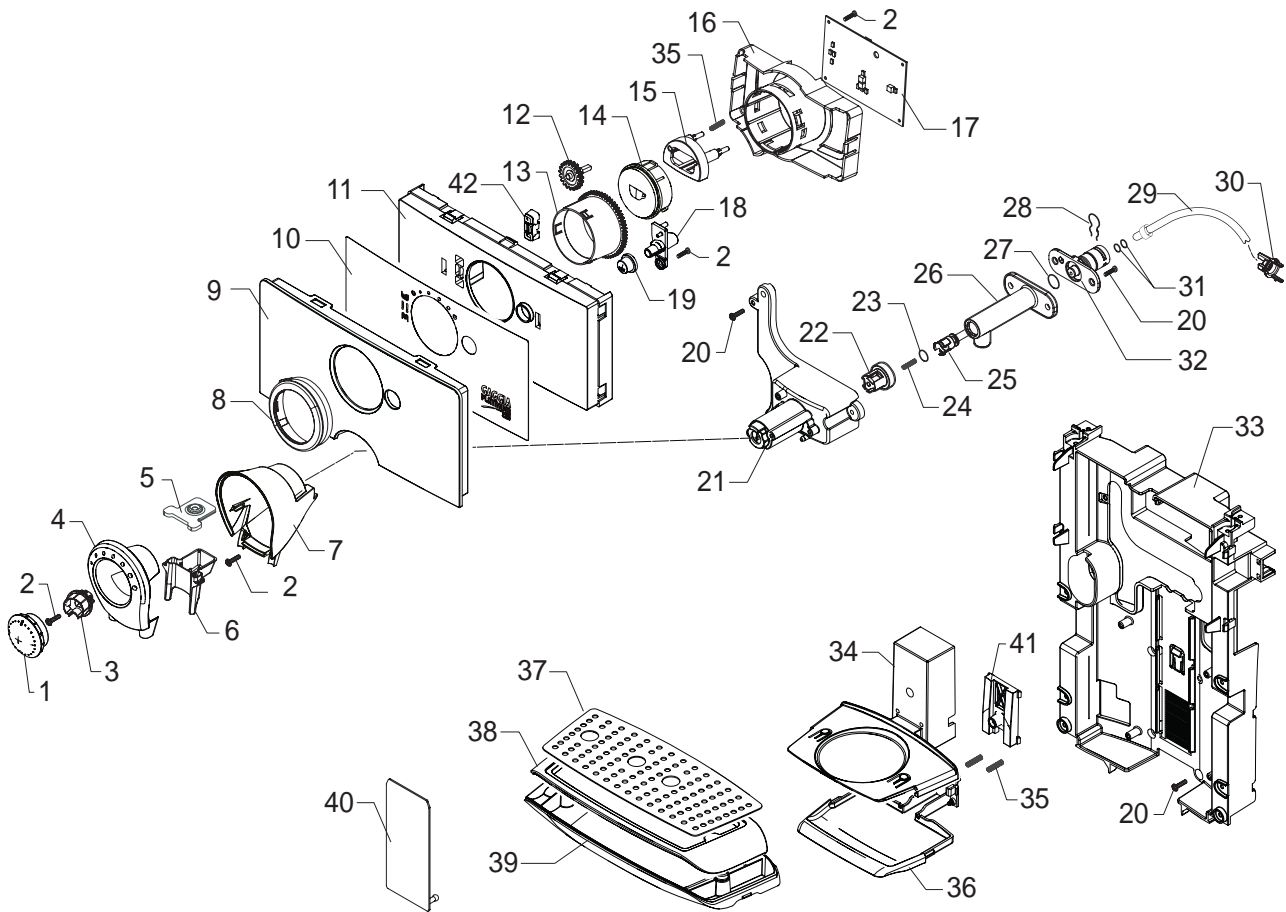
**Cod. 10001704-1951-2006**

POS	CODE	DESCRIPTION	NOTE	POS	CODE	DESCRIPTION	NOTE
01	15001115	MANUAL INSTRUCTIONS GAGGIA G0053/P D/I		37	11003154	BLACK REED SENSOR SUPPORT P0049	
	15001116	MANUAL INSTRUCTIONS GAGGIA G0053/P GB/F		38	11007310	BLACK ON-OFF BUTTON INSERT P0049	
	15001117	MANUAL INSTRUCTIONS GAGGIA G0053/P E/P		39	11004377	SILVER ON-OFF SWITCH BUTTON P0049	
	15001118	MANUAL INSTRUCTIONS GAGGIA G0053/P NL/PL		40	11007312	BLACK DRIP TRAY COFFEE UNIT G0053	
02	11005044	SAECO KLUBER TRIBOSTAR SIL 2 TUBE 5GR.		41	11003533	BLACK DUMP BOX P0049 W/OUT S.SCREEN ASSY.	
03	11003785	BLACK GRINDER ADJUSTMENT KEY P0049		42	11005046	BLACK INSIDE COVER DOOR G0053	
04	183911050	POWER CABLE SCHUKO BLACK L=1200		43	9161.111	MAGNET FOR FLOAT SUPERAUTOM.	
	183930650	PO.CABL.CH BLACK 3X1 H05VV-F L=1200		44	11007317	BLACK DOOR G0053	
	183970350	BLACK POWER CABLE UK 3X1 H05VV-F L=1200		45	11001362	SPRING FOR LOCK P0049	
05	11007279	BLACK WATER TANK OUTLET COVER G0053		46	11001340	BLACK DOOR PIN P0049	
06	11001668	NATURAL/GREY WATER CONTAINER LID P0053		47	11001360	PWR BOARD P0049/P0053	230V
07	11007308	TITANIO FRONT CASING G0053/P ASSY.		48	13000526	CARTON INSERT FOR BOX G0053	
08	11002017	TRANSPARENT WATER CONTAINER P0053 ASSY.					
09	224640200	EXTERNAL FILTER FOR WATER CONTAINER AS.	WITH PART. N°10				
10	140328461	EPDM OR METRIC 0190-10					
11	11003672	SPRING FOR WATER CONTAINER VALVE P0049					
12	11003673	GREY WATER CONTAINER VALVE INSERT P0049					
13	11003671	TRANSP.VALVE FOR WATER CONTAINER P0049					
14	11001298	BLACK LID FOR DUCKBILL VALVE P0049					
15	13000543	PS-E UPPER INSERT FOR BOX G0053					
16	13000533	PS-E LOWER INSERT FOR BOX G0053					
17	13000544	DISPLAY BOX G0053 GAGGIA PLATINUM					
18	11008094	NATUR/GREY GROUND COFF.CONT.CAP G0053					
19	11007195	NATUR/GREY BEAN COFF.CONT.LID G0053 ASSY					
20	12000510	SCREW TORX T10 3,5X30 UNI9786 GALVANIZED					
21	11004793	SB/STAINLESS STEEL CUP WARMING LID G0053					
22	11006037	BLACK SEAL FOR CUPWARMER G0053					
23	11007289	BLACK COVER CASING G0053					
24	11002842	BLACK POWER BOARD PROTECTION P0049					
25	11007251	BLACK LEFT SIDE CASING G0053					
26	12000450	SCREW TORX T10 3,5X12 UNI9786 GALVANIZED					
27	11004372	SILVER WATER-STEAM KNOB P0049 W/O.N/S/SC					
28	11004687	MOUNTING PLATE WITH PIN P0049 ASSY.					
29	12000280	CUP SOCKET EN 60320 C 13					
30	U140.001	PANELVIT TCB 3,5X40 DIN 7505 B GAL					
31	11007249	BLACK RIGHT SIDE CASING G0053					
32	11007060	GENERAL SWITCH FOR P124					
33	11000223	BLACK WHEEL FOR CASING BOTTOM P124					
34	11001339	TRANSP.LATE INFRAREDS PLATE P0049					
35	129912702	SCREW PT TORX 3X10 WN 1411 GALVANIZ					
36	11007605	2POLES CONNECT. SENSOR REED DOOR G0053					

**GAGGIA®**
**GAGGIA PLATINUM EVENT**

Rev. 00 - 03/09/07

TABLE 1/5


**GAGGIA® SUP034PR**

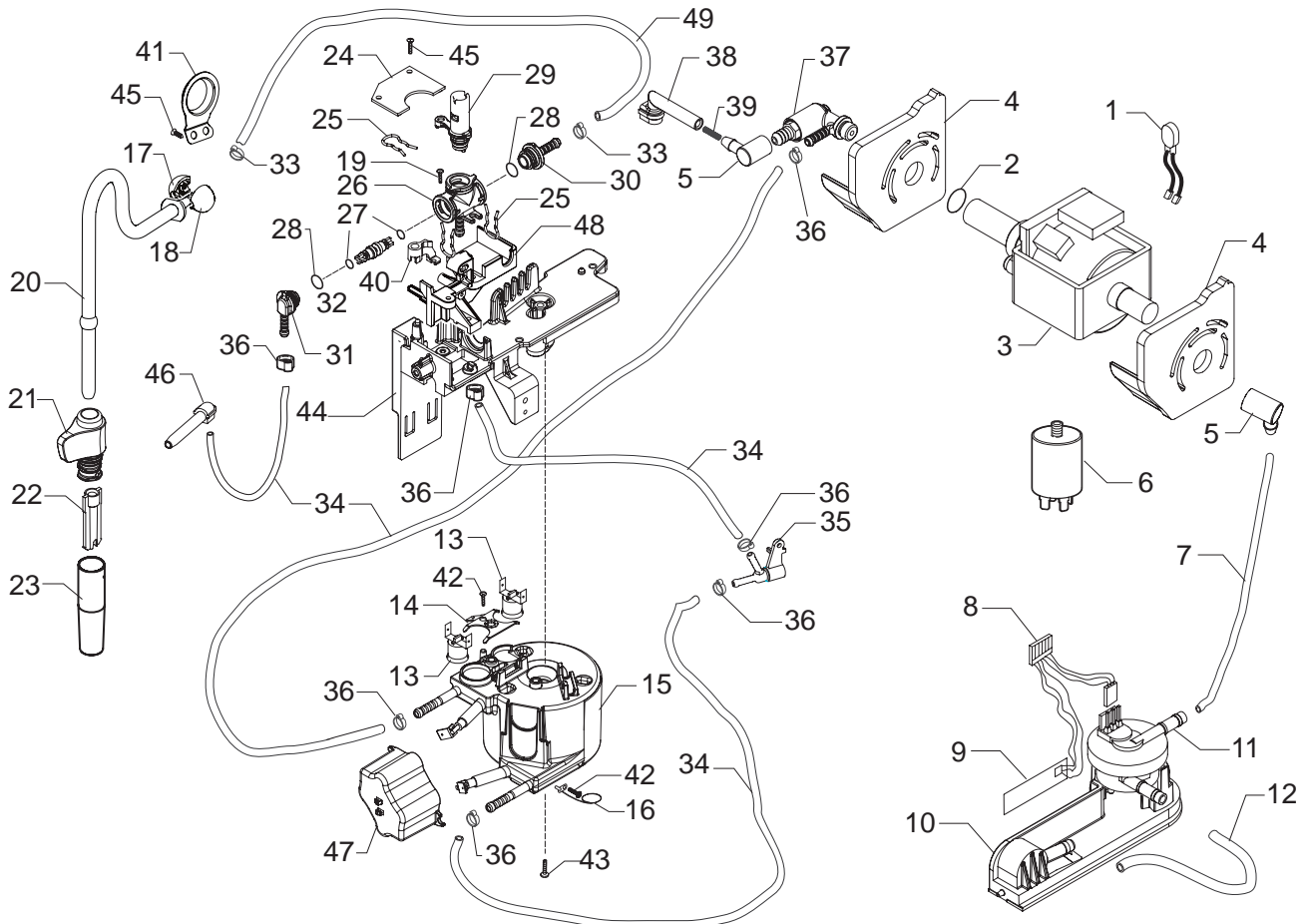
**Cod. 10001704-1951-2006**

POS	CODE	DESCRIPTION	NOTE	POS	CODE	DESCRIPTION	NOTE
01	11007214	TITANIO CREAM ADJUSTMENT KNOB G0053		42	11008901	BLACK LIGHT GUIDE BODY G0053/A	
02	129912702	SCREW PT TORX 3X10 WN 1411 GALVANIZ					
03	11007420	INTERNAL CONNECT.V2 FOR COFF. DISPENSER					
04	11007333	TITANIO FRONT COFF.DISPENSER COVER G0053					
05	11002111	BLACK CAP COFFEE DISPEN.HEAD BODY P0053					
06	11002049	BLACK COFFEE DISPENSER BODY P0053					
07	11007179	TITANIO REAR COFFEE DISPENS.COVER G0053					
08	11004100	CHROMED HEIGHT REGULATION NUT P0049					
09	11004779	TRANSPARENT FRONT PANEL G0053/A					
10	11007278	BLACK FRONT PANEL DISPLAY FILM G0053/P					
11	11007277	BLACK FRONT PANEL SUPPORT G0053/A					
12	11001320	BLACK GEAR Z=19 FOR P0049					
13	11002061	BLACK SUPPORT FOR RING NUT P0053					
14	11008239	BLACK COFFEE BUTTON P0049/A S.SCREEN					
15	11002066	BLACK COFFEE BUTTON SPACER P0053/A					
16	11002062	BLACK SUPPORT FOR BUTTONS P0053/A					
17	11008330	AS.CPU+SW V2 G0053/P					
18	11004782	BLACK BUTTON FOR WATER G0053/A					
19	11008156	BLACK INSERT FOR STEAM BUTTON G0053					
20	12000450	SCREW TORX T10 3,5X12 UNI9786 GALVANIZED					
21	11005996	BLACK DISPENSING SUPPORT G0053					
22	149198700	SUPPORT CREAM ADJUSTMENT SHAFT					
23	140326661	OR METRIC 0040-20 IN EPDM					
24	126772518	SPRING FOR CREAM ADJUSTMENT SHAFT					
25	140640200	CREAM ADJUSTMENT SHAFT					
26	11000290	BLACK COFFEE DISPENSER TUBE P124					
27	12000070	OR METRIC 0060-15 IN SILICONE					
28	9011.144	FORK FOR TUBE D.4					
29	11001766	TEFLON TUBE 2X4 L=125 MM ASSY.					
30	11006504	BLACK TUBE TEFLON INSERT G0053					
31	140328059	OR 2015 IN SILICONE PTFE/FDA					
32	11002130	FAST LOCK CONNECTOR FOR EROGATOR P0053					
33	11004741	BLACK DRIP TRAY GUIDE G0053					
34	11004795	CARBONA DRIP TRAY SUPPORT G0053					
35	11002068	SPRING FOR BUTTONS P0053/A					
36	11005115	CARBONA DRIP TRAY SUPPORT INSERT G0053					
37	11004773	SB/STAINLESS STEEL GRATE G0053					
38	11007316	TITANIO SUPPORT GRATE DRIP TRAY G0053					
39	11008881	BLACK DRIP TRAY G0053 ASSY.					
40	11003399	SPECCHIATO DRIP TRAY PROTECTION P0053					
41	148740600	SLIDE FOR DRIP TRAY P117					

**GAGGIA®**
**GAGGIA PLATINUM EVENT**

Rev. 00 - 03/09/07

TABLE 2/5


**GAGGIA® SUP034PR**

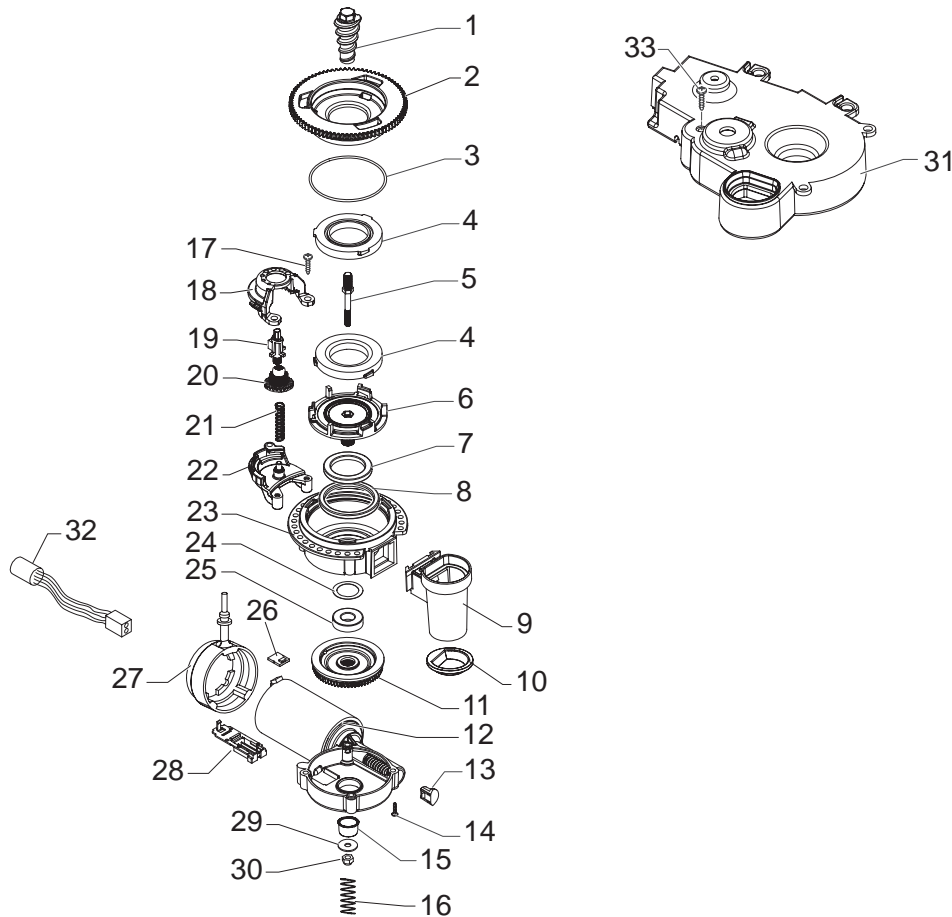
**Cod. 10001704-1951-2006**

POS	CODE	DESCRIPTION	NOTE	POS	CODE	DESCRIPTION	NOTE
01	11001778	2POLES CONNECTOR PUMP P0049	230V	42	129573202	SCREW TCB PH/TT 4X8 UNI 8112 ZNP	
02	140321961	OR 2031 IN TERMOIL		43	129932502	GALVANIZDE SELF DRILLING SCREW 5X30	
03	12000140	ULKA PUMP EP5/S GW	230V-50HZ	44	11001332	SUPPORT FOR BOILER-FAUCET-VALVE P0049	
04	11006296	BLACK PUMP SUPPORT P0049 ASSY.		45	129912702	SCREW PT TORX 3X10 WN 1411 GALVANIZ	
05	147920150	90°CONNECTOR PUMP INLET		46	11001630	MILK ISLAND DESCARGING WATER CONNECTION	
06	12000005	ANTIDISTURB FILTER 10A FNC 1005474103P		47	11005284	BLACKBOILER CONNECT. COVER P0049/P0053	
07	149360200	SILICONE TUBE 5X8 70SR IN ROLL		48	11006022	BLACK FAUCET SUPPORT G0053	
08	11007550	6POLES CONNECT. LEVEL+FLOWMETER G0053		49	16000170	WHITE BRAIDED SILICON TUBE 3X6 IN ROL	
09	11000651	WATER LEVEL SENSOR BOARD P124					
10	11003670	BLACK TURBINE SUPPORT V2 P0049		11001549	PPA FAUCET P0049-P0053 ASSY.		
11	12000781	TURBINE D=1,2 932-8521/90 ASSY.					
12	JS01.022	SILICONE TUBE 5X10 60 SHORE IN ROLL					
13	189428600	THERMOSTAT 175° 1NT-08L-5125		11007206	ALUM.BOILER G0053/P 230V ASSY.		COMPLETE
14	11001751	THERMOSTATES SPRING FOR BOILER					
15	11001750	ALUM.BOILER/V3 ASSY.	230V-1300W				
16	190800100	TEMPERATURE SENSOR NTC UL L=280MM					
17	11007189	BLACK LEFT INSERT FOR STEAM TUBE G0053					
18	11006922	BLACK RIGHT INSERT FOR STEAM TUBE G0053					
19	129912202	SCREW TCB TORX T10 3X12 UNI 9786 ZN					
20	11005991	ST.STEEL STEAM TUBE G0053 ASSY.					
21	11007194	BLACK STEAM TUBE HANDGRIP G0053					
22	11001620	PANNARELLO INTERNAL TUBE P0049					
23	11001769	BLACK COVER PANNARELLO P0049					
24	11004842	TAP ELECTRONIC CARD P0049/P0053-V1 5V					
25	11001499	FORK SPRING FOR FAUCET P0049					
26	11001545	BLACK FAUCET CASING P0049					
27	12000541	OR 2012 IN VITON FDA 70 SH					
28	12000042	OR 108 IN VITON FDA 70 SH					
29	11004135	PLAST/BRASS FAUCET SHAFT P0049 ASSY.					
30	11001546	FAUCET STRAIGHT CONNECTOR P0049					
31	11001544	BLACK FAUCET CONNECTOR P0049					
32	11004134	TEA/BRASS FAUCET SHAFT P0049					
33	NF11.052	OETIKER CLIP					
34	16000380	5X8,9 SILICONE TUBE IN ROLL					
35	11001330	BLACK CONNECTOR FOR PIN BOILER P0049					
36	12000892	OETIKER CLAMP D=9,5 16700004					
37	11004689	SAFETY VALVE 16-18 BAR P0049 ASSY.					
38	11001629	PUMP DESCARGING WATER CONNECTION P0049					
39	11005003	DESCARGING WATER CONNECT. SPRING P0049					
40	11003047	PPA FAUCET BLOCK INSERT P0049/A					
41	4332055000	SUPPORT FOR SPHERAL UNION					

**GAGGIA®**
**GAGGIA PLATINUM EVENT**

Rev. 00 - 03/09/07

TABLE 3/5


**GAGGIA® SUP034PR**

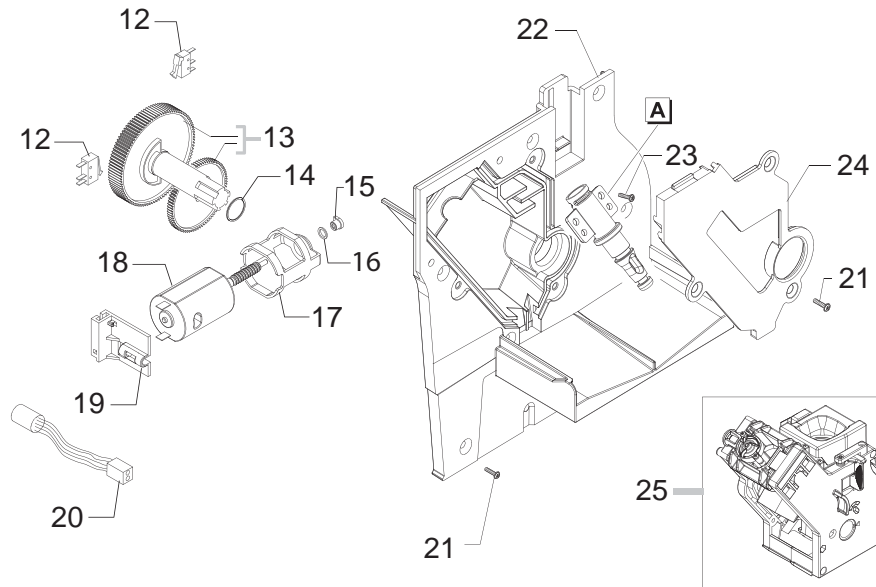
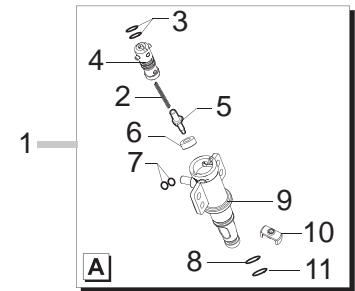
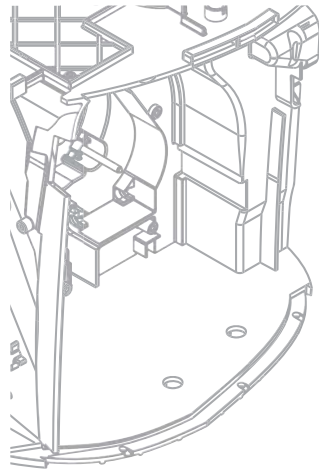

Cod. 10001704-1951-2006

POS	CODE	DESCRIPTION	NOTE	POS	CODE	DESCRIPTION	NOTE
01	9141.001	SCREW OF INCREMENT					
02	149198250	UPPER GRINDER SUPPORT COFFEEGRINDER					
03	140328960	NBR FDA OR METRIC 0530-15					
04	146520100	BAKED CLAY GRINDER 48X28					
05	127473603	STEEL PIN M4-M6 FOR INCREMENT SCREW					
06	149198350	LOWER GRINDER SUPPORT COFFEEGRINDER					
07	123030300	AXIAL BEARING EKKO 342.35252					
08	140360500	FELT RING 45,4X39,4X4					
09	222870250	GROUND COFFEE OUTLET CONVEYOR ASSY.					
10	145854462	GROUND COFFEE CONT.SEAL LOWER SMART1					
11	226000300	GEAR SX Z=38 FOR GRINDER MOTION ASSY.					
12	11000513	MOTOR COFFEEGRINDER/V3.1 DOMEL AS.	230V				
13	149214800	CAP FOR WORM SCREW MC/V3 CENTRING					
14	129661702	PANELVIT TCB SCREW 3,5X25 D.7505 ZN					
15	11002873	INSULATOR BUSH FOR GRINDER MOTOR P124					
16	11000597	COFFEE GRINDER SUPPORT SPRING P124					
17	129660102	PANELVIT TCB SCREW 3,5X18 D.7505 Z					
18	11002508	UPPER GEAR SUPPORT COFFEEGRINDER P124					
19	11003446	BLACK INSERT FOR COFFEE GRINDER P0049					
20	11003784	COFFEE GRINDING ADJUSTMENT GEAR P0049					
21	11002572	GRINDER REGULATION SPRING P124					
22	11002613	LOWER GEAR SUPPORT COFFEEGRINDER P124					
23	149205450	SWITCH+SOCKET POWER CABL.SUPP.SMART					
24	128381800	CRINKLE WASHER 21,8X15,8X0,2					
25	123030200	RADIAL BEARING 61900.2RS1					
26	181540900	ELECTRONIC BOARD WITH SENSOR HAL506					
27	11001367	BLACK COFFEE GRINDER SUPPORT P0049					
28	149199050	SENSOR SUPPORT FOR COFF.GRIND.MOTOR					
29	128381902	GALVAN.FLAT WASH.DI=4,3 DE=14 SP=1,5					
30	123453102	SELF LOCK NUT M4 DIN 982 HIGH GALV.					
31	11001826	SOUNDPROOFING COVER FOR COFGRIN. P0053					
32	11003449	5POLES CONNECTOR MC SENSORS P0049					
33	129661902	TCB SCREW 3,5X18 PLASTITE 45°					
	11001744	GENERAL MOTOR MC P0049 230V ASSY.					

**GAGGIA®**
**GAGGIA PLATINUM EVENT**

Rev. 00 - 03/09/07

TABLE 4/5


**GAGGIA® SUP034PR**

**Cod. 10001704-1951-2006**

POS	CODE	DESCRIPTION	NOTE	POS	CODE	DESCRIPTION	NOTE
01	11005060	PIN V2 FOR BOILER P119 ASSY.					
02	9011.132	SPRING FOR PIN					
03	140324459	OR METRICO 0060-20 SILICON.PTFE/FDA					
04	11003820	CAP V2 FOR PIN BOILER P119					
05	227660103	NIK/BRASS PISTON L=20,9 ASSY.					
06	145841200	VITON SEAL D=5,1 FOR PISTON					
07	140328059	OR 2015 IN SILICONE PTFE/FDA					
08	NM01.035	OR ORM 0090-20 SILICONE					
09	11003801	PIN V2 FOR BOILER P119					
10	11005099	CURSOR V2 FOR BOILER P119					
11	NM01.057	OR ORM 0050-20 SILICONE					
12	NE05.038	MICROSWITCH					
13	20000900	SPARES KIT GEARS FOR RATIOMOTOR V2					
14	9161.132	MYLAR WASHER FOR RATIOMOTOR					
15	9121.046	SINTERED BUSH FOR MOTOR					
16	148380200	WASHER BAKELIZZATE D=5,5					
17	9121.044	ANTIVIBRATION FOR MOTOR					
18	11003037	MOTOR FOR RATIOMOTOR ASSY.					
19	11001331	BLACK MICROSWITCH SUPP. DUMP BOX P0049					
20	11003661	REED SENSOR MK3-1A66-BV16451					
21	129914102	SCREW K 35X12 WN 1423 GALVANIZED					
22	11006337	BLACK COVER FOR MOUNTING PLATE P0049 AS.					
23	129661902	TCB SCREW 3,5X18 PLASTITE 45°					
24	11001312	BLACK COVER FOR VAIN BOILER P0049					
25	11002145	BLACK BREW UNIT 8GR. P124/SBS SEE COD. EXPL. E90042					

**GAGGIA®**
**GAGGIA PLATINUM EVENT**

Rev. 00 - 03/09/07

TABLE 5/5