

Service Service Service



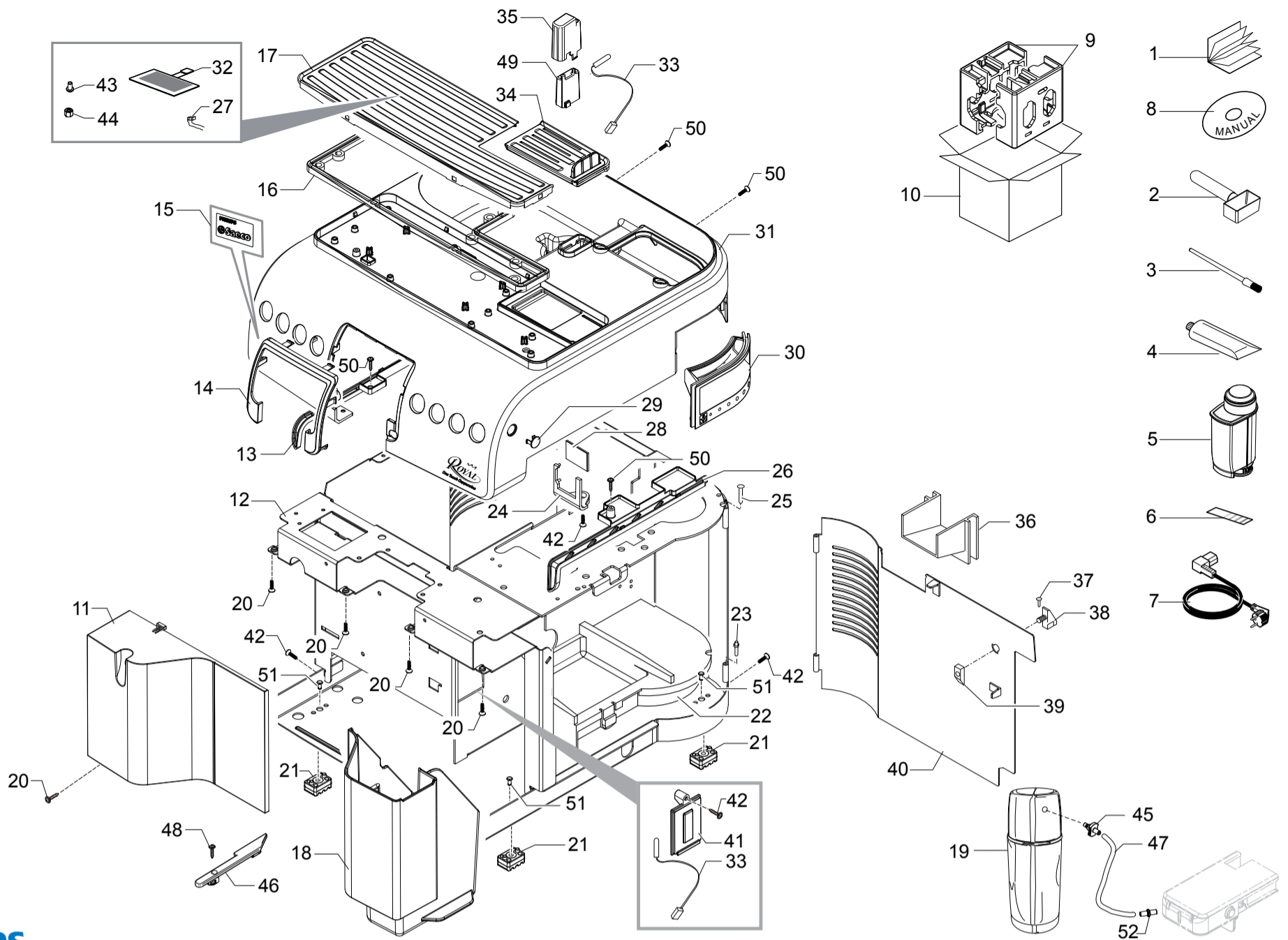
Exploded View

Contents

Table

External / Electronical components	1/7
Coffee dispenser	2/7
Front panel / User interface	3/7
Water system	4/7
Water / coffee container	5/7
Coffee grinder assembly	6/7
Gear motor / Brewing unit	7/7

All rights reserved. No part of this publication may be reproduced, stored in a retrieval system or transmitted, in any form or by any means, electronic, mechanical, photocopying, or otherwise without the prior permission of Saeco.



PHILIPS

Saeco

HD8930/01-02-04-05-06-09-13-47



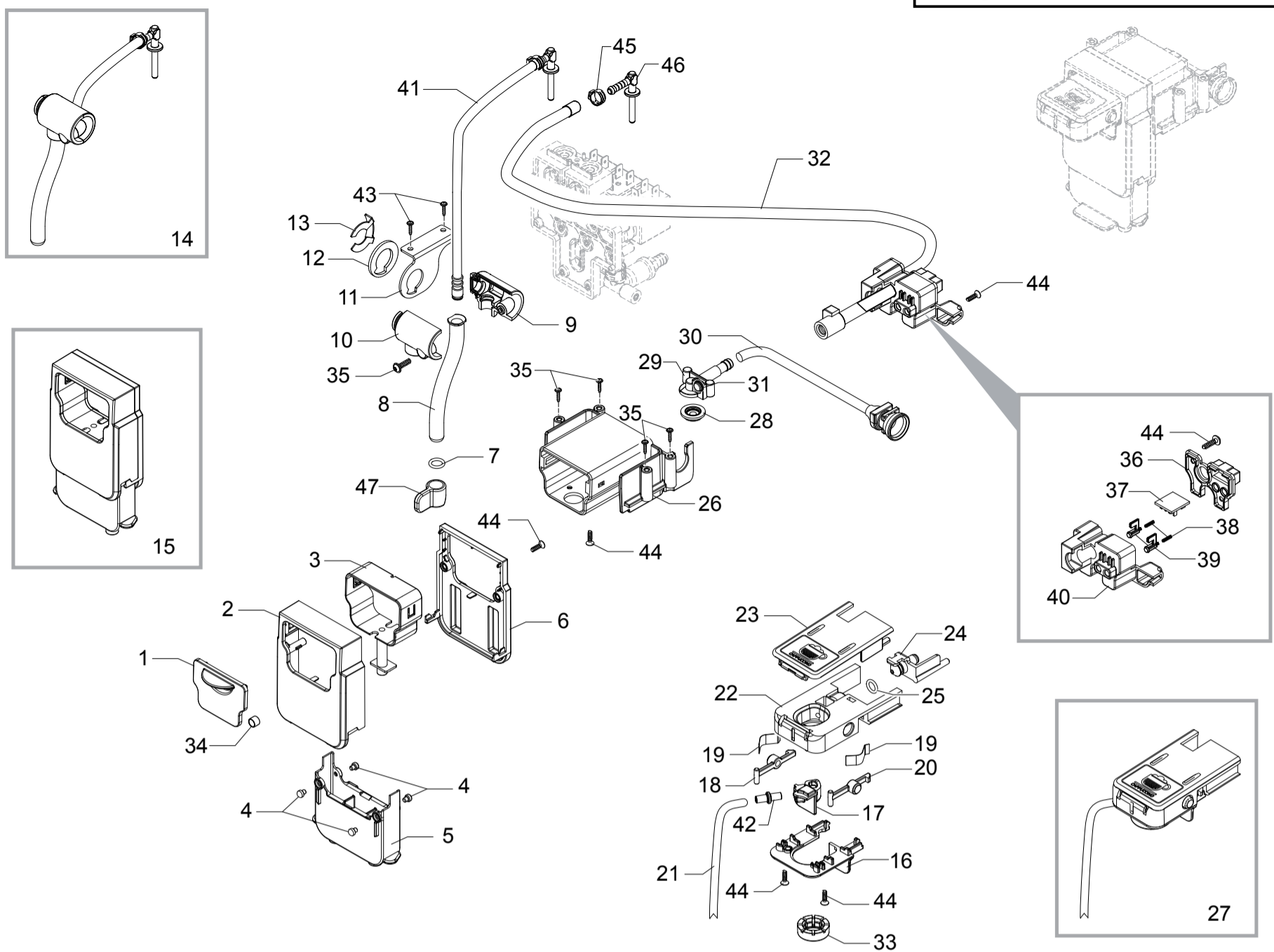
Cod.10003804-05-10003966-73

Cod.10004044-45-46-4114

POS	CODE	12NC	DESCRIPTION	NOTE	POS	CODE	12NC	DESCRIPTION	NOTE
01	15002770	996530068496	MANUAL PSA HD8930 RYL/T GB	FOR USA/CHN	26	17001369	996530071784	GREY CASING RIGHT CLOSING INSERT V2 RYL	USA
	15002772	996530068543	MANUAL PSA HD8930 RYL/T FR	FOR USA	27	17800207	996530068632	2POLES CONNECT.SUPPLY CUPWARMING RYL UL	
	15002773	996530068518	MANUAL PSA HD8930 RYL/T ES	FOR USA	28	11003232	996530001522	AS.CPU+SW WATER LEVEL SENSOR V2	
	15003116	996530070486	MANUAL PSA HD8930 RYL/T CHN		29	17000422	996530068595	TRANSP.INFRAREDS PLATE RYL	
02	146680850	996530016529	BLACK COFFEE MEASURE SMART		30	11025771	996530068568	GLOSS/SPEC.COVER CASING INSERT S/SCR.RYL	
03	127390100	996530011867	BRUSH FOR CLEANING		31	11027678	996530068577	GLO/SPEC.CASING COVER S/SCR.CAPPUC.RYL/T	
04	11028379	996530070318	PSA KLUBER TRIBOSTAR SIL 2 TUBE 5GR.			11029346	996530071785	GL/SPEC.CASING COVER S/S.CAPPUC.RYL/T UL	USA
05	21002051	996530071783	ACC PSA MAVEA WATER FILTER 1UNIT	FOR USA	32	WGA4316031000	996530063553	ADHESIVE HEATING-ELEMENT 230V	
06	0301.961	996530039604	STICKER FOR WATER HARDNESS TEST			11000791	996530000503	ADHESIVE HEATING-ELEMENT 120V	USA-TWN
07	183911050	996530025808	BLACK POWER CABLE SCHUKO L=1200		33	17800254	996530068587	2POLES CONNECT.LEVEL DRIP TRAY RYL UL	
	183930650	996530025858	POWER CABLE CH BLACK 3X1 H05VV-F L=1200		34	11025739	996530068593	SB/SS GROUND CONT.DOOR COVER S/S.RYL ASS	
	183940650	996530025872	BLACK POWER CABLE AUSTRALIA L=1200		35	17000239	996530068622	GREY BEAN CONTAINER SENSOR SUPPORT RYL	
	183921950	996530025843	POWER CABLE SJT3 USA BLACK UL L=1200		36	11027680	996530068534	7021/GREY DOOR COVER S/SCR.RYL	
	11004246	996530002166	BLACK POWER CABLE TAIWAN HVCTF L=1200		37	U433.001	996530062096	NAIL 2X06 UNI 7591 BURN.	
	11004247	996530002167	BLACK POWER CABLE RVV 3X1 CHINA L=1200		38	0301.039.710	996530039463	7021/GREY DOOR CLOSURE KNOB	
	11001985	996530001089	BLACK POWER CABLE KOREA L=1200		39	0301.040.150	996530039467	GREY DOOR CLOSURE LEVER	
08	15003525	996530073235	DOCUMENTATION CD RYL/T ROYAL OTC ASSY.		40	11025758	996530070708	LIGHT/GREY STEEL CASING DOOR RYL	
09	20006994	996530068582	KIT PS-E INSERT FOR BOX RYL			11029563	996530071787	LIGHT/GREY STEEL CASING DOOR RYL UL	USA
10	13001320	996530068585	DISPLAY BOX RYL/T PSA ROYAL WE		41	17000240	996530068621	GREY MOUNTING PLATE INSERT RYL	
	13001446	996530071786	DISPLAY BOX RYL/T PSA ROYAL USA		42	12000450	996530007819	SCREW TCBR TORX 10 3,5X12 PLAST.ZN-N	
	13001411	996530068541	DISPLAY BOX RYL/T PSA ROYAL CEE		43	17000826	996530068571	BRASS CUPWARMING LID BUSH RYL	
11	11025728	996530068533	GLOSS/SPEC.FRONT CASING COVER RYL/T		44	U324.005	996530062086	NUT M3 FLANGED INDENTED BASE	
12	11025722	996530068527	LIGHT/GREY STEEL CASING RYL/T ASSY.		45	17000819	996530068547	BLK THERM.MILK INTAKE TUBE CONN.INS.RYL	
13	17000427	996530068562	GREY CASING LEFT CLOSING INSERT RYL/T		46	17000723	996530069771	GREY DUMP BOX GUIDE RYL	
14	11025757	996530068555	GLOSS/SPEC.FRONT PANEL RYL		47	9972.160	996530069875	SILICONE TUBE 3,5X6 L=230 MM	
15	11025026	996530068191	ADHES.SILVER PLATE LOGO PHILIPS-SAECO		48	12000895	996530007951	SCREW TSP TORX 10 3X10 PLAST.SS	
16	17000349	996530067763	BLACK SEAL FOR CUPWARMING LID RYL		49	17001480	996530069766	BLK BEAN CONTAIN.SENSOR SUPP.INSERT RYL	
17	17000175	996530068078	SB/SS CUPWARMING LID RYL		50	12001622	996530068586	SCREW TCB TORX B 3,5X9,5 SCHEET NIK	
18	11025729	996530068549	GLOSS/SPEC.DUMP BOX RYL ASSY.		51	11021769	996530007136	BLACK RIGID FOOT FIXING PIN MYB9	
19	11027601	996530068509	SS THERMOS RYL ASSY.		52	17001362	996530068626	BLK MILK INTAKE TUBE CONNECT.INS.V2 RYL	
20	129535721	996530012898	SCREW TSP TORX 10 AB 3,5X9,5 SHEET SS						
21	11021829	996530007156	BLACK/TRANSP.RIGID FOOT MYB9						
22	0301.041.150	996530039468	GREY BREW UNIT SUPPORT PLATE ROYAL						
23	0301.020	996530039377	NIK/BRASS PIN FOR DOOR SUPERAUT.						
24	17000391	996530068505	BLACK WATER LEVEL SENSOR SUPPORT RYL						
25	0301.019	996530039376	NIK/BRASS PIN FOR DOOR SUPERAUT.						
26	17000426	996530068495	GREY CASING RIGHT CLOSING INSERT RYL						

PSA ROYAL

TABLE 1/7



PHILIPS

Saeco

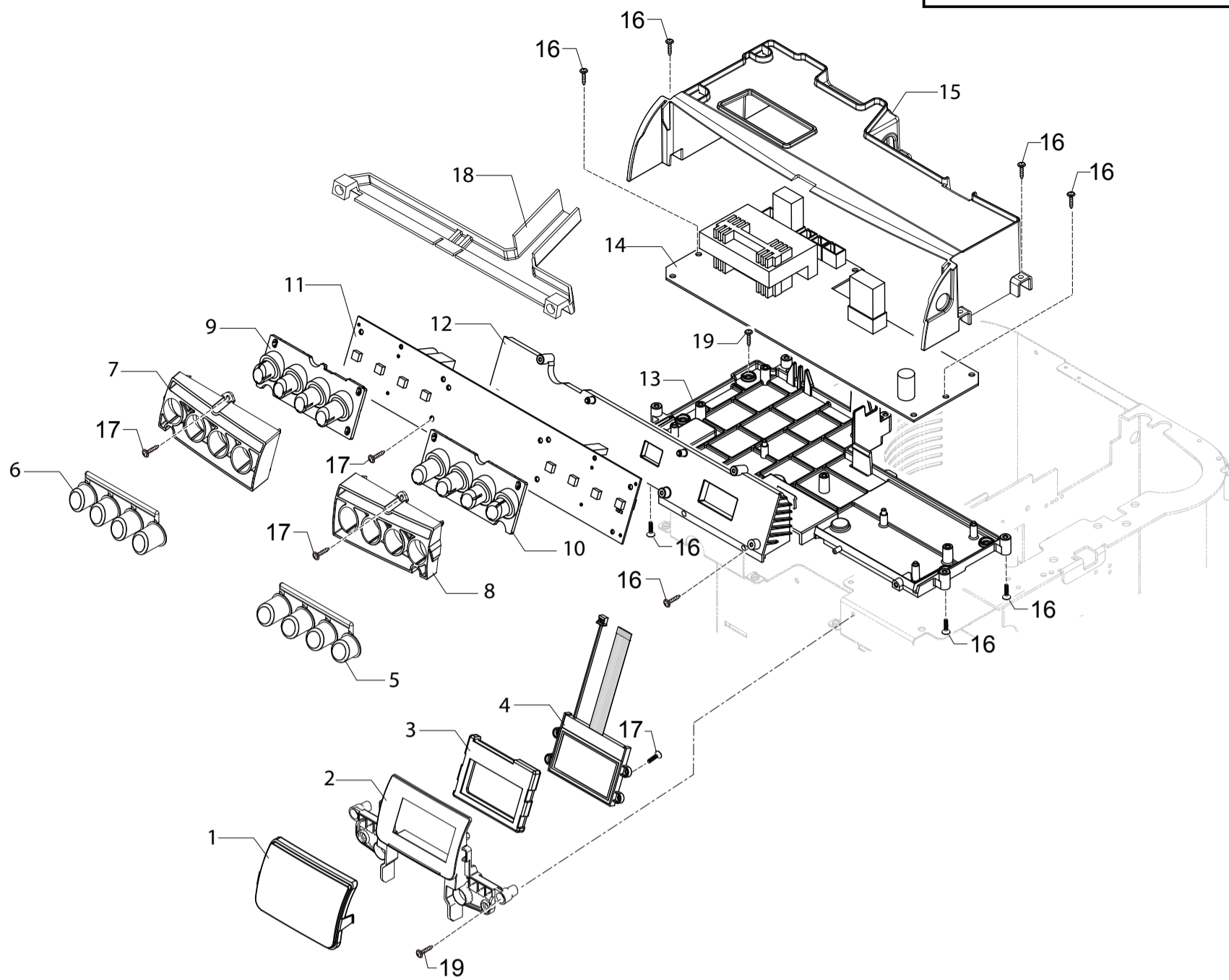
HD8930/01-02-04-05-06-09-13-47



Cod.10003804-05-10003966-73

Cod.10004044-45-46-4114

POS	CODE	12NC	DESCRIPTION	NOTE	POS	CODE	12NC	DESCRIPTION	NOTE
01	11025753	996530068545	GLOSS/SPEC.FRON.COF.DISPCOVER RYL/T ASS		38	17000019	996530009566	SS CARAFE MICRO INSERT SPRING MYB9	
02	11025756	996530068592	GLOSS/SPEC.FRONT COF.DISPENSER COVER RYL		39	17000421	996530068623	BLACK CAPPUCCINATORE PRESENCE INSERT RYL	
03	17000251	996530068634	BLACK INNER BODY COFFEE DISPENS.RYL		40	17000339	996530068639	BLACK CAPPUCCINATORE BOARD SUPPORT RYL	
04	11013085	996530006614	WHITE COFFEE DISPENSER SLIDER MYB9		41	20007030	996530069784	BLACK OUTPUT STEAM TUBE KIT RYL	
05	17000246	996530068572	BLACK EXT.MOBILE PART COF.DISPENSER RYL		42	17001362	996530068626	BLK MILK INTAKE TUBE CONNECT.INS.V2 RYL	
06	17000248	996530068638	BLACK REAR COVER COFFEE DISPENSER RYL		43	12001622	996530068586	SCREW TCB TORX B 3,5X9,5 SCHEET NIK	
07	140321961	996530013471	O-RING 2031 TERMOIL		44	12000895	996530007951	SCREW TSP TORX 10 3X10 PLAST.SS	
08	11025760	996530068532	TF/CHROM.STEAM TUBE RYL		45	NF11.052	996530059178	OETIKER CLIP	
09	17000672	996530068628	BLACK REAR STEAM TUBE SUPPORT RYL		46	11031165	996530073233	TEA/BRASS CAPPUC/STEAM TUBE CONN.V3 RYL	
10	17001437	996530068103	BLACK FRONT STEAM TUBE SUPPORT RYL		47	17001574	996530073232	BLACK STEAM TUBE HANDGRIP RYLO	
11	17000815	996530068643	STEEL STEAM TUBE SUPPORT BRACKET RYL						
12	11001624	996530000929	BLACK STEAM TUBE WASHER P0049						
13	NF11.084	996530059199	PHOSPH/STEEL FOLK SPRING						
14	11031416	996530072944	TF/CHROM.STEAM TUBE V3 RYL/T ASSY.						
15	11025731	996530068601	GLOSS/SPEC.COFFEE DISPENSER RYL ASSY.						
16	17000390	996530068544	BLACK LOWER CAPPUCCINATORE LID RYL						
17	17000336	996530068602	MILK INTAKE TUBE CONNECTOR RYL						
18	17000389	996530068599	GREY LEFT CAPPUCCINATORE INSERT RYL						
19	17000382	996530068487	SS CAPPUCCINATORE INSERT SPRING RYL						
20	17000402	996530068519	GREY RIGHT CAPPUCCINATORE INSERT RYL						
21	229363500	996530031599	SILICONE TUBE 3,5X6 L=400 MM						
22	17000338	996530068631	BLACK LEFT ENTRY CAPPUCCINAT.CASING RYL						
23	11030240	996530073234	BLK UPPER CAPPUC.LID LASER-S/SCR.RYL						
24	17000785	996530068581	BLACK CAPPUC.INPUT MILK CONNECTOR RYL						
25	NM01.028	996530059392	O-RING 106 SILICONE						
26	17000257	996530068548	BLACK.COFFEE DISPENSER SUPPORT RYL						
27	11025751	996530068551	BLACK CAPPUCCINATORE S/SCR.RYL ASSY.						
28	17000337	996530068501	BLACK SEAL FOR COFFEE DISPENSER RYL						
29	17000616	996530068611	BLACK COFFEE DISPENSER TUBE RYL						
30	17000614	996530068609	BLACK DISPENSER COFF.INLET CONNECT.RYL						
31	11014016	996530006968	SS.INSERT FOR MAGNET MYB9						
32	20007031	996530069783	BLK CAPPUC.OUTPUT STEAM CONNECT.KIT RYL						
33	17000486	996530068615	BLK CAPPUCIN.OUTPUT MILK CONNECTOR RYL						
34	9161.111	996530050555	MAGNET FOR FLOAT SUPERAUT.						
35	12000450	996530007819	SCREW TCBR TORX 10 3,5X12 PLAST.ZN-N						
36	17000348	996530068516	BLK CAPPUCCINATORE BOARD SUPP.COVER RYL						
37	11025772	996530068494	CAPPUCCINATORE BOARD RYL						



PHILIPS

Saeco

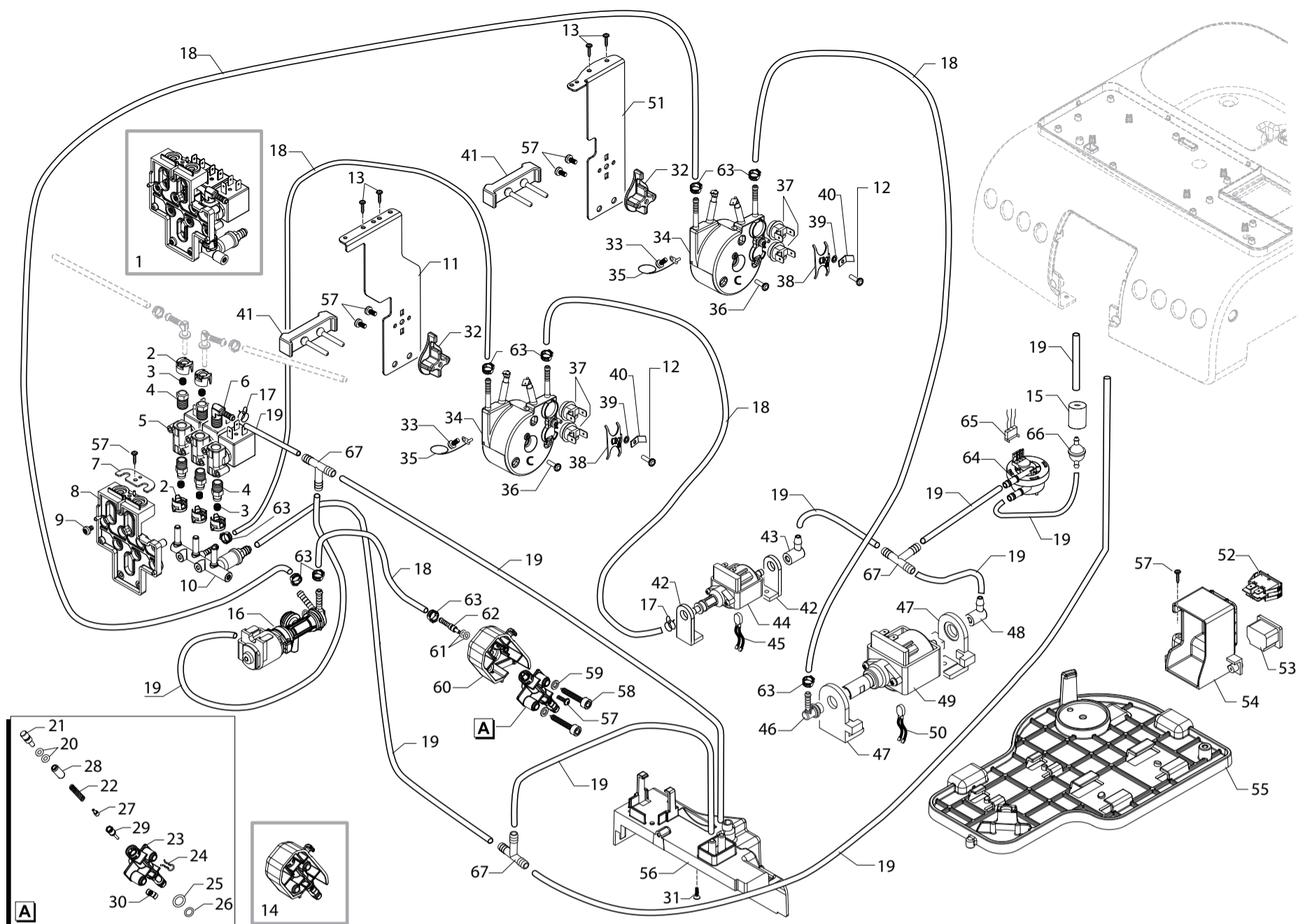
HD8930/01-02-04-05-06-09-13-47



Cod.10003804-05-10003966-73

Cod.10004044-45-46-4114

POS	CODE	12NC	DESCRIPTION	NOTE	POS	CODE	12NC	DESCRIPTION	NOTE
01	17000269	996530068575	TRANSP.GLASS FOR DISPLAY RYL						
02	17000259	996530068535	BLACK DISPLAY INSERT RYL						
03	17000271	996530068556	BLACK DISPLAY SEAL RYL						
04	12001606	996530068584	AMBER DISPLAY 160x80 0355DP RYL						
05	17001310	996530073231	BLK RIGHT TOUCH PANEL COVER V2 S/S.RYL/T						
06	17001837	996530073229	BLK LEFT TOUCH PANEL COVER V2 S/S.RYL/T						
07	17000488	996530068523	BLACK LEFT TOUCH PANEL SUPPORT RYL						
08	17000244	996530068646	BLACK RIGHT TOUCH PANEL SUPPORT RYL						
09	17000434	996530068488	TRANSP.LEFT TOUCH PANEL RYL						
10	17000430	996530068507	TRANSP.RIGHT TOUCH PANEL RYL						
11	11024659	996530068499	CPU+SW RYL ASSY.						
12	17000274	996530068637	BLACK CPU BOARD SUPPORT RYL						
13	17000275	996530068624	BLACK PWR BOARD SUPPORT RYL						
		11028842	BLACK PWR BOARD SUPPORT RYL UL	USA					
14	11024692	996530068627	PWR BOARD RYL/RYL0 230V	230V					
		11027086	PWR BOARD RYL/RYL0 120V	USA-TWN					
15	17000277	996530068613	BLACK CPU-PWR BOARDS COVER RYL						
16	12000450	996530007819	SCREW TCB TORX 10 3,5X12 PLAST.ZN-N						
17	129913202	996530013156	SCREW TCB TORX 10 3X8 PLAST.ZN-B						
18	17001152	996530068099	POWER BOARD PROTECTION RYL						
		11028843	POWER BOARD PROTECTION RYL UL	USA					
19	12001622	996530068586	SCREW TCB TORX B 3,5X9,5 SCHEET NIK						



PHILIPS

Saeco

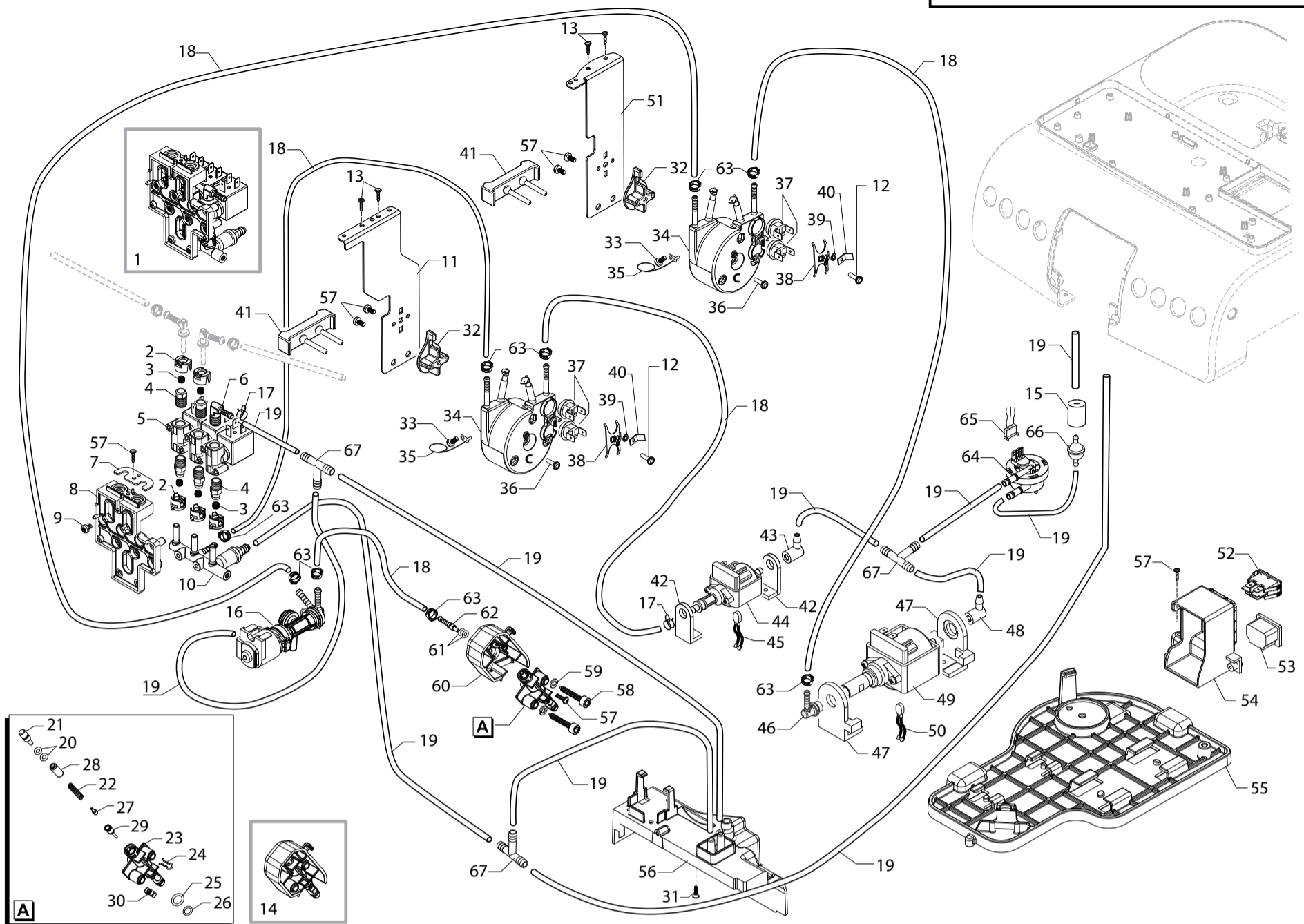
HD8930/01-02-04-05-06-09-13-47



Cod.10003804-05-10003966-73

Cod.10004044-45-46-4114

POS	CODE	12NC	DESCRIPTION	NOTE	POS	CODE	12NC	DESCRIPTION	NOTE
01	11031414	996530073228	TEA/BRASS ELECTROV.V3 24V RYL/T ASSY.		35	190800100	996530026997	TEMPERATURE SENSOR NTC UL L=280MM	
02	17001178	996530068101	BLK EV 1/8"GAS.CONNECTOR V2 INSERT RYL		36	12001369	996530008039	SCREW TSP TORX 10 5X35 PLAST.SS	
03	17001909	996530072435	RED EV CONNECTOR 1/8"GAS SEAL V2 RYL		37	12001033	996530007973	THERMOSTAT ONE SHOT 190°	
04	11027334	996530068604	TEA/BRASS ELECTROV.CONNECT1/8"GAS V2 RYL		38	11001751	996530000997	TUB.BOILER V3 UPPER THERM.FIXING SPRING	
05	11024038	996530067667	BRASS 2WAY EV 21JN1RRV20-XT+LBV05024CU		39	128310402	996530012341	GALV.WASHER UNI 8842 A4	
06	11013835	996530006875	TEA/BRASS CONNECTOR FOR BOILER AURA		40	124390520	996530011326	BRASS BENT FASTON 45° 6,3X0,8	
07	17000428	996530067861	STEEL CONNECTORS FIXING PLATE RYL		41	17000471	996530069779	BLACK BOILER ANTIVIBRATION RYL	
08	17000168	996530068616	BLACK ELECTROV/CONNECTOR SUPP.RYL		42	11029554	996530073227	BLACK/SBD ULKA MF PUMP SUPPORT	
09	U043.012	996530061815	SCREW TCB TORX 20 M4X6 ZN-B		43	11012193	996530006314	90° INLET CONNECTOR FOR PUMP ULKA MF	
10	17001908	996530073226	BRASS 4WAYS CONNECT+SAFETY VALVE V3 RYL		44	12001212	996530008003	ULKA PUMP MF 230V-50HZ	230V
11	17000166	996530068642	STEEL STEAM TUBOL.BOILER SUPPORT RYL		12001346	996530008028	ULKA PUMP MF 120V-60HZ	120V	
12	12001715	996530069758	SCREW TCB TORX 20 M4X8 AUTOFORMING ZN-B		12001348	996530008031	ULKA PUMP MF 220V-50/60HZ	220V	
13	12001622	996530068586	SCREW TCB TORX B 3,5X9,5 SCHEET NIK		45	17800203	996530068598	2POLES CONNECTOR STEAM PUMP RYL UL	
14	11025744	996530068578	TEA/BRASS HOT WATER PIN RYL ASSY.		46	11001054	996530000624	BLK PUMP OUTLET 90°CONNECTOR P0049/B	
15	147756562	996530017211	BLK PROTECTION FOR FOLK SPRING TUBE D=4		47	11022857	996530007468	BLACK PUMP SUPPORT GMYB	
16	11025742	996530068583	BLOWDOWN VALVE V3 RYL 230V ASSY.	230V	48	147920150	996530017348	90° INLET PUMP CONNECTOR	
	11028187	996530071782	BLOWDOWN VALVE V3 RYL 120V ASSY.	120V	49	12000140	996530007753	ULKA PUMP EP5/S GW 230V-50HZ	230V
	11028161	996530072436	BLOWDOWN VALVE V3 RYL 220V-60HZ ASSY.	220V	12000131	996530007751	ULKA PUMP EP5/S 120V-60HZ	120V	
17	184320200	996530025907	SPRING HOSE CLAMP D=9,5MM		12000182	996530007782	ULKA PUMP EP5/S GW 220V-60HZ	220V	
18	16000380	996530009505	5X8,9 SILICONE TUBE IN ROLL	IN ROLL	50	17800202	996530068528	2POLES CONNECTOR COFFEE PUMP RYL UL	
19	JS01.022	996530057357	SILICONE TUBE 5X10 60SH IN ROLL	IN ROLL	51	17000163	996530068561	STEEL COFFEE TUBOL.BOILER SUPPORT RYL/T	
20	140326662	996530013547	OR ORM 0040-20 SILICONE		52	NE03.038	996530058836	BIPOLAR SWITCH FUSIT C1250AR	
21	11026413	996530068052	TEA/BRASS HOT WATER PIN PLUG RYL		53	12001883	996530072437	CUP SOCKET V3 EN 60320 C 13	
22	9011.132	996530048874	SS SPRING FOR PIN		54	17000162	996530068617	BLACK SOCKET-SWITCH SUPPORT RYL	
23	9161.434	996530050895	HOT WATER PIN		11028204	996530071779	BLACK SOCKET-SWITCH SUPPORT RYL UL	USA	
24	9011.144	996530048885	SS FORK FOR TUBE D=4		55	17000160	996530068573	BLACK COMPONENTS SUPPORT RYL	
25	NM01.035	996530059399	OR ORM 0090-20 SILICONE		56	17000165	996530068644	BLACK DRIP TRAY PROTECTION RYL	
26	NM01.057	996530059419	OR ORM 0050-20 IN SILICONE		57	12000450	996530007819	SCREW TCB TORX 10 3,5X12 PLAST.ZN-N	
27	11009013	996530005176	TEA/BRASS PIN FOR PISTON L=10		58	11003555	996530001731	GALVANIZED SELF-TAPPING SCREW 4,8X32	
28	11009012	996530005175	TEA/BRASS BOILER PIN BUSH		59	128310521	996530012346	WASHER UNI 8842 A5 SS	
29	11009019	996530005183	TEA/BRASS PISTON L=20,9 ASSY.		60	17000156	996530068557	BLACK HOT WATER PIN SUPPORT RYL	
30	11005099	996530002747	NATURAL CURSOR V2 FOR BOILER P119		61	140328059	996530013564	OR 2015 SILICONE PTFE/FDA	
31	129913902	996530013164	SCREW TCB TORX 10 3X12 PLAST.ZN-B		62	11000750	996530000479	TEA/BRASS CONNECTOR FOR SILICONE TUBE	
32	11023282	996530007608	BLACK SLIM TUB.BOILERS SUPPORT MYB9		63	12000892	996530007947	OETIKER CLAMP D=9,5 16700004	
33	129573402	996530012923	SCREW TAPT M4X10 DIN 7985 GALV		64	NV99.099	996530059843	TURBINE D=1,2 932-8521/00 ASSY.	
34	11013735	996530006841	SLIM TUB.BOILER 1300W 230V ASSY.	230V-1300W	65	17800214	996530068521	6POLES CONNECTOR FLOWMETER RYL UL	
	11023153	996530007586	SLIM TUB.BOILER 1300W 120V ASSY.	120V-1300W	66	12001595	996530067498	TRANSP/WHITE ASPIRATION FILTER MDS	



PHILIPS

Saeco

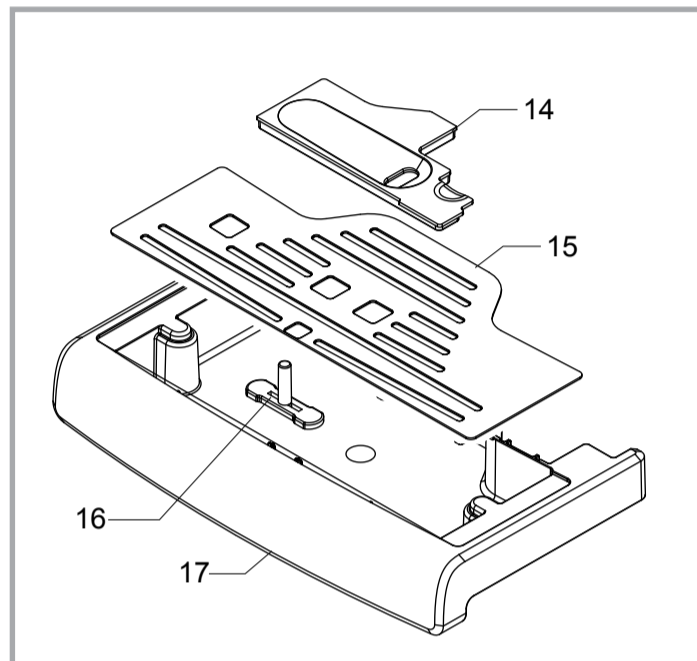
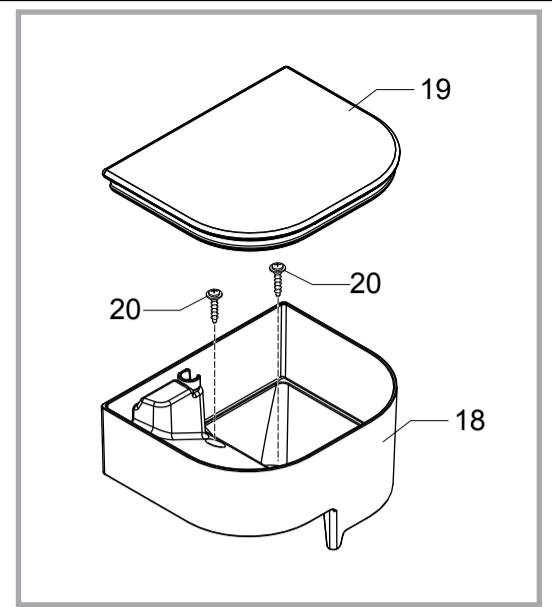
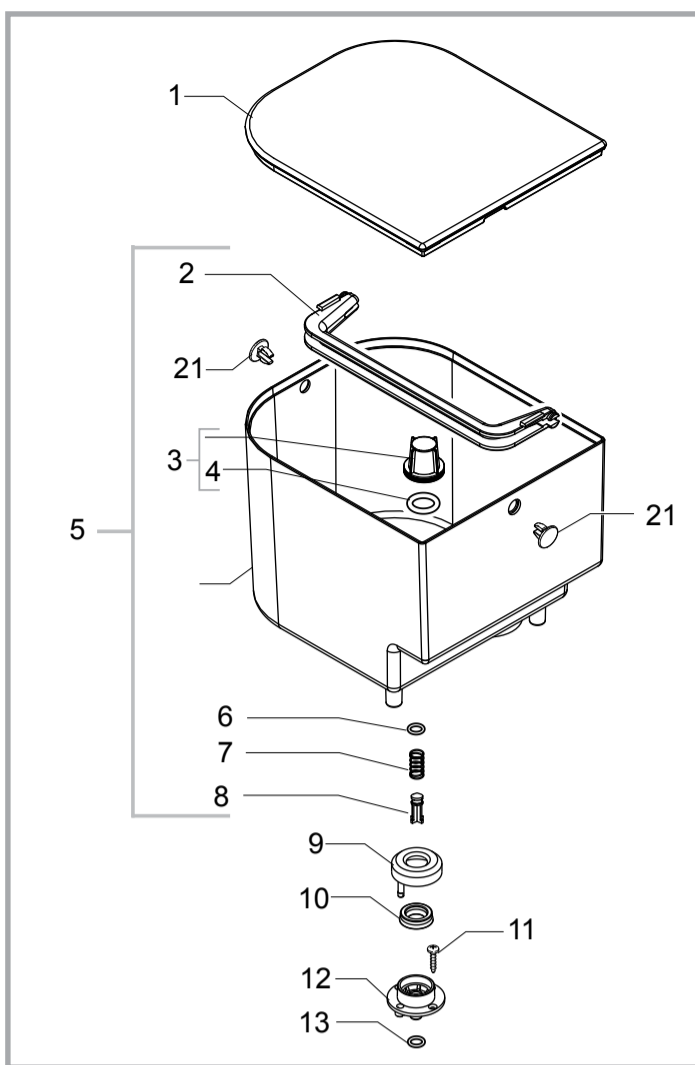
HD8930/01-02-04-05-06-09-13-47



Cod.10003804-05-10003966-73

Cod.10004044-45-46-4114

POS	CODE	12NC	DESCRIPTION	NOTE	POS	CODE	12NC	DESCRIPTION	NOTE
67	147920300	996530017351	TRANS.CONNECTOR D=8 ART.80.26.047 KA.461						
	11025705	996530068536	COFFEE TUB.BOILER 230V RYL/T ASSY. WITH PART.N°12-32-34-35-36-37-38-39-40-41-51-57	230V-1300W					
	11028182	996530071778	COFFEE TUB.BOILER 120V RYL/T ASSY. WITH PART.N°12-32-34-35-36-37-38-39-40-41-51-57	120V-1300W					
	11025706	996530069776	STEAM TUB.BOILER 230V RYL ASSY. WITH PART.N°11-12-32-34-35-36-37-38-39-40-41-57	230V-1300W					
	11028183	996530071781	STEAM TUB.BOILER 120V RYL ASSY. WITH PART.N°11-12-32-34-35-36-37-38-39-40-41-57	120V-1300W					



PHILIPS

Saeco

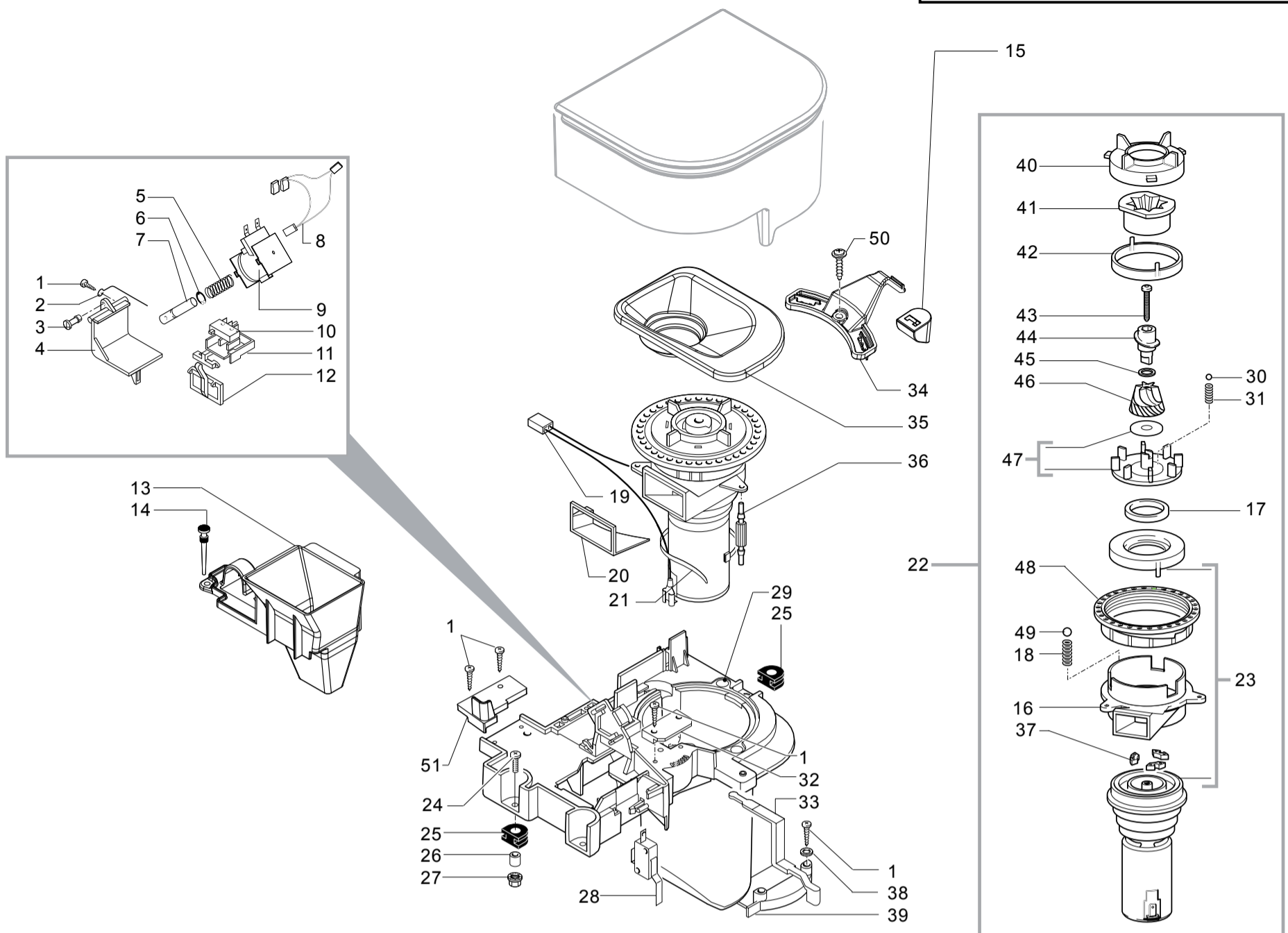
HD8930/01-02-04-05-06-09-13-47



Cod.10003804-05-10003966-73

Cod.10004044-45-46-4114

POS	CODE	12NC	DESCRIPTION	NOTE	POS	CODE	12NC	DESCRIPTION	NOTE
01	11027653	996530068493	GLOSS/SPEC.WATER CONTAINER LID RYL						
02	17000174	996530068645	BLACK WATER CONTAINER HANDLE RYL						
03	224640200	996530029115	WHITE WATER CONTAINER EXT.FILTER ASSY.						
04	140328461	996530013571	OR ORM 0190-10 EPDM						
05	11025725	996530068579	NAT/GREY WATER CONTAINER S/SCR.RYL ASSY.						
06	140324362	996530013507	OR ORM 0060-30 SILICONE						
07	126764718	996530011626	SS WATER CONTAINER VALVE SPRING						
08	147660562	996530016894	GREY PISTON FOR WATER CONTAINER VALVE						
09	0701.031.150	996530044417	GREY WATER VALVE GACO DIM 14 SEAL COVER						
10	145842900	996530015823	NBR WATER CONT.VALVE GACO DIM14 SEAL						
11	12000895	996530007951	SCREW TSP TORX 10 3X10 PLAST.SS						
12	0701.014.150	996530044404	GREY WATER VALVE GACO DIM 14 SEAL CONT.						
13	140320461	996530013446	OR ORM 0080-20 TERMOIL						
14	17000982	996530068641	BLACK DRIP TRAY COVER RYL						
15	17000183	996530068597	BA/SS DRIP TRAY GRATE RYL/T						
16	17000991	996530068538	RED FLOAT V2 FOR DRIP TRAY RYL						
17	11025730	996530068559	GLOSS/SPEC.DRIP TRAY RYL ASSY.						
18	17000188	996530068506	NAT/GREY BEAN CONTAINER RYL						
19	11027679	996530069774	GLOSS/SPE.BEAN COF.CONT.LID RYL ASSY.						
20	12001431	996530008052	SCREW TCB TORX 10 3X12 PLAST.SS						
21	17001255	996530068513	BLACK PLUG FOR WATER CONTAIN.HANDLE RYL						



PHILIPS

Saeco

HD8930/01-02-04-05-06-09-13-47



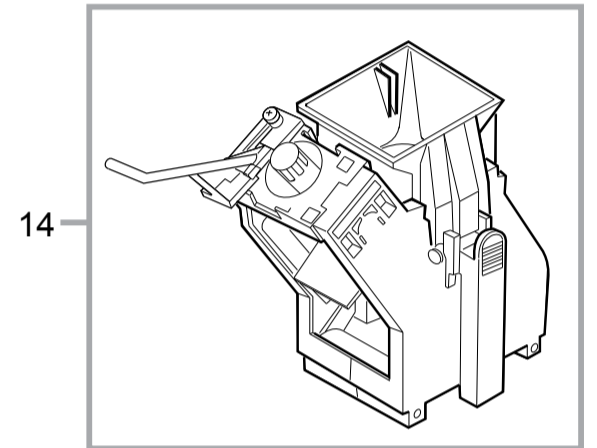
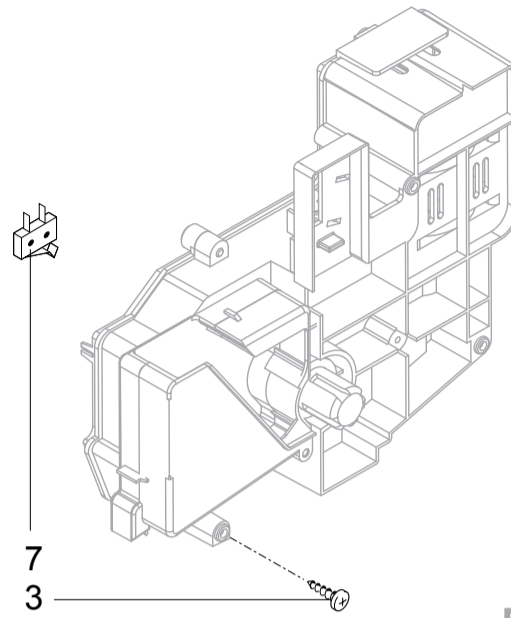
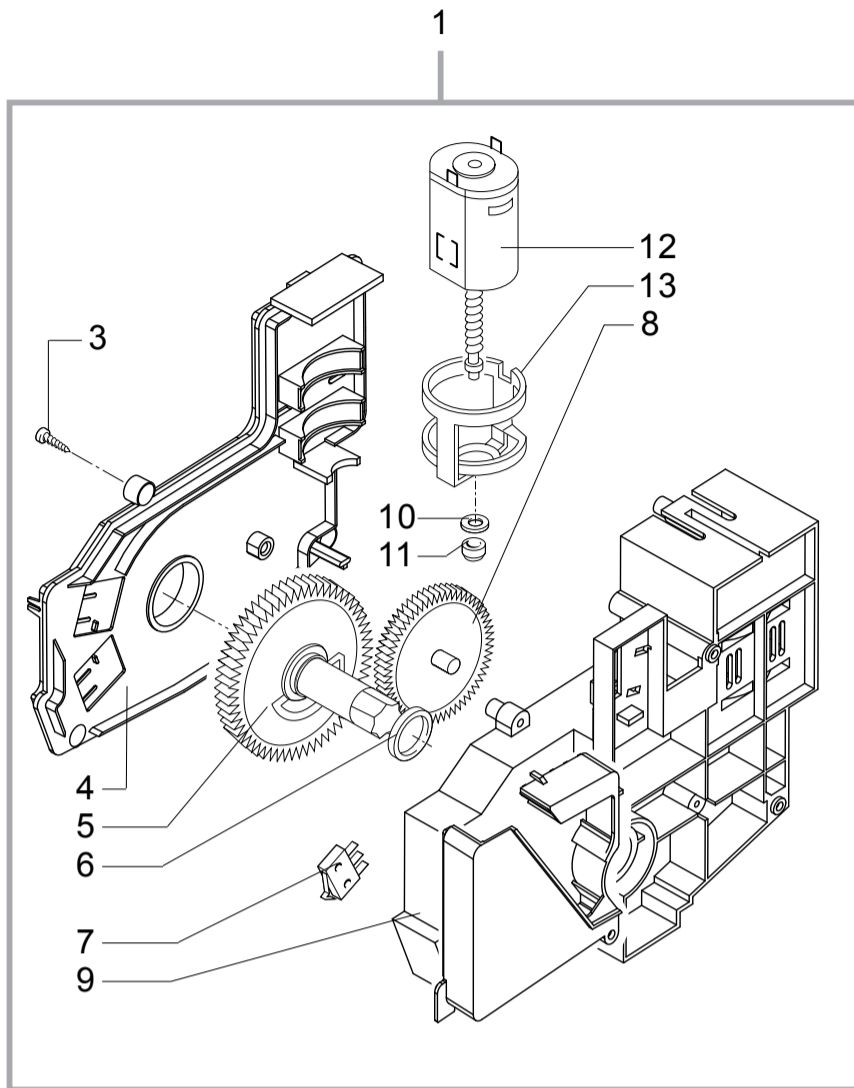
Cod.10003804-05-10003966-73

Cod.10004044-45-46-4114

POS	CODE	12NC	DESCRIPTION	NOTE	POS	CODE	12NC	DESCRIPTION	NOTE
01	129913902	996530013164	SCREW TCB TORX 10 3X12 PLAST.ZN-B		36	9991.103	996530051824	ANTIVIBRATION FOR COFFEEGRINDER	
02	9161.048	996530050457	STEEL GROUND COF.DOSE SCRAPER ROD		37	140230400	996530013437	SHOCK ABS .CONICAL GRINDER SUPP.MAGIC	
03	9161.076.150	996530050504	GREY GROUND COF.DOSE DOOR PIN		38	U201.001	996530062018	PLAIN WASHER 3,2X9 DIN 7349 GALV.	
04	9161.074.150	996530050502	GREY GROUND COFFE DOSE DOOR		39	9161.403.150	996530050859	GREY COFFEE DOSE ADJUSTMENT SCALE	
05	126764818	996530011627	SPRING ELECTROM.BEAN DOSE MAGIC		40	149186150	996530017774	BLACK UPPER GRINDER SUPPORT MAGIC	
06	U701.003	996530062102	SNAP RING 7 UNI 7434		41			PARTICULAR NOT AVAILABLE	SEE PART.N°46
07	9161.041	996530050449	STEEL GROUND COF.DOSE ELECTROMAGN.CORE		42	142844550	996530014804	UPPER GRINDER COVER COFFEE GRIND. MAGIC	
08	17800211	996530068539	4POLES CONNECT.COIL+DOSE MICRO RYL UL		43	129931002	996530013185	TORX SCREW T10 TCB 3,5X40 SX ZNG	
09	11025734	996530068546	DOSE COIL FOR SUPERAUTOM.24V DC ASSY.		44	147470763	996530016718	BLK INCREASE SCREW PIN COF.GRINDER MAGIC	
10	NE05.017	996530058851	MICROSWITCH		45	U201.002	996530062019	PLAIN WASHER 10X16X0,2DIN 988 GAL	
11	9161.072.150	996530050499	GREY MICRO SUPP.CURSOR GROUND COF.DOSE		46	226477700	996530029717	KIT ITAL MILL GRINDERS	WITH PART.N°41
12	9161.073.150	996530050501	GREY GROUND COF.DOSE CONTROL COMPENSATOR		47	149188750	996530017803	CONICAL GRIND. SUPP. + RING MAGIC	
13	17000176	996530068542	BLACK HOPPER FOR POWDER COFFEE RYL		48	146570950	996530016473	RING NUT FOR GRINDING ADJUSTMENT MAGIC	
14	9161.082	996530050528	RUBBER COUPLER		49	128610421	996530012441	STAIL.STEEL AISI 304 SPHERE D=3,2MM	
15	17000351	996530067864	BLK GRINDING ADJUSTM.LEVER HANDGRIP RYL		50	12000450	996530007819	SCREW TCB TORX 10 3,5X12 PLAST.ZN-N	
16	9141.080	996530050296	BLACK COFFEE GRINDER MOTOR SUPPORT		51	17001155	996530068569	GREY COVER FOR DOSE HOLE RYL	
17	140360200	996530013594	FELT RING 40X34X5						
18	126770117	996530011685	NEW SPRING SPHERE D=3,2 MOTOR MAGIC						
19	17800209	996530068552	2POLES CONNECTOR GRINDER MOTOR RYL UL						
20	1505.014	996530046545	COFFEEGRINDER SEAL						
21	144320200	996530015373	SELF LOCK STRIP W=2.6 L=200						
22	9140.036.00A	996530065687	COFFEE GRINDER STD 230V ASSY.	230V					
	9140.036.00F	996530066813	ASS.MOTOR STD 120V	120V					
23	0301.R10.00A	996530039645	SPARE MOTOR UNIT MC 230V	230V					
	0301.R10.00F	996530039646	SPARE MOTOR UNIT MC 120V	120V					
24	U043.004	996530061808	ZN-B TCB SCREW M4X16						
25	9991.005	996530051757	RUBBER FOR COFFEE GRINDER						
26	9141.003	996530050198	SPACER FOR RUBBER						
27	U324.006	996530062087	NUT M4 FLANGED INDENTED BASE						
28	12001605	996530068492	MICROSWITCH						
29	9161.365.150	996530050815	GREY PLATE COFFEEGRINDER MAGIC/ROYAL						
30	128610521	996530012442	STAIL.STEEL AISI 304 SPHERE D=5,5MM						
31	126765517	996530011635	STEEL SPRING SPHERE D=5,5 MOTOR MAGIC						
32	9161.097.150	996530050542	GREY GROUND COF.DOSE LEVER FIXING PLATE						
33	0313.003.150	996530040548	7016/GREY GROUND COF.DOSEADJUSTM.LEVER						
34	17000198	996530068525	BLACK GRINDING ADJUSTM.LEVER RYL						
35	17000238	996530068498	COFFEE GRINDER SOUNDPROOFING COVER RYL						

PSA ROYAL

TABLE 6/7



PHILIPS

Saeco

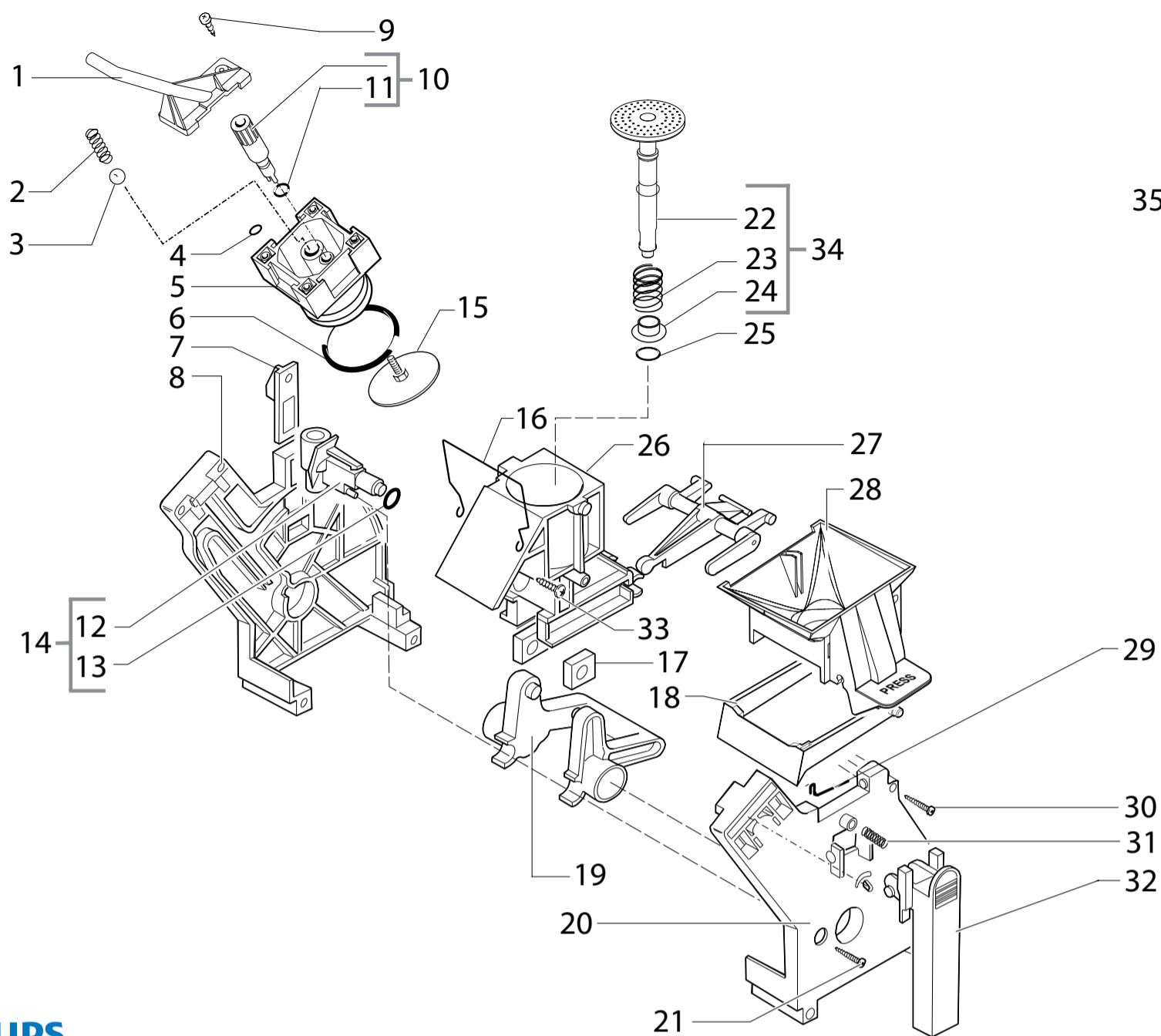
HD8930/01-02-04-05-06-09-13-47



Cod.10003804-05-10003966-73

Cod.10004044-45-46-4114

POS	CODE	12NC	DESCRIPTION	NOTE	POS	CODE	12NC	DESCRIPTION	NOTE
01	11025736	996530068554	RATIOMOTOR RYL ASSY.						
03	129670202	996530012996	TCB PANELVIT SCREW 3,5X16 TESTA D=8 ZNP						
04	17000719	996530068503	GREY RATIOMOTOR LID RYL						
05	11007137	996530004086	BLACK GEAR Z=77 V2 FOR RATIOMOTOR P124						
06	9161.368	996530050821	MYLAR WASHER FOR RATIOMOTOR						
07	NE05.038	996530058869	MICROSWITCH SAIA XCG5-81-P5						
08	146002800	996530016272	GREY GEAR Z=13/90 FOR RATIOMOTOR P124						
09	11026258	996530068529	GREY RATIOMOTOR CASING WITH TUBE ASSY.						
10	148380200	996530017424	BAKELIZZATE WASHER D=5,5						
11	9121.046	996530049898	BRONZE SINTERED BUSH FOR MOTOR RATIOMOT.						
12	11005214	996530002796	MOTOR FOR RATIOMOTOR P124 ASSY.						
13	9121.044	996530049896	ANTIVIBRATION FOR MOTOR						
14	11003800	996530001925	BLACK BREW UNIT MAGIC/ROYAL SEE EXPL.CODE E90048						



PHILIPS

Saeco

BLACK BREW UNIT MAGIC/ROYAL



Cod.11003800

POS	CODE	12NC	DESCRIPTION	NOTE	POS	CODE	12NC	DESCRIPTION	NOTE
01	11003789	996530001913	BLACK COFF.OUTLET SLEEVE BREW UNIT ROYAL						
02	9161.222	996530050657	SS.CONICAL SPRING						
03	9991.168	996530051874	GLASS SPHERE D.5 MM						
04	11021334	996530007075	BLK COUNTERPISTON SEAL DE=11 DI=8 SP=1,4						
05	11003796	996530001921	BLACK BREW UNIT COUNTERPISTON M5000						
06	NM01.044	996530059406	OR ORM 0320-40 SILICONE PTFE/FDA						
07	11004114	996530002053	BLACK BREW UNIT COUPLING PLATE						
08	11003792	996530001916	BLACK BREW UNIT REAR PLATE M5000						
09	U140.019	996530061983	SCREW TCB TORX 10 3X16 PLAST SS						
10	227470150	996530030009	PIN BLACK ASS.FOR PERCOLATOR						
11	NM02.006	996530059439	OR R5 TERMOIL						
12	9161.064.050	996530050488	BLACK WATER INLET SLEEVE BREW UNIT ROYAL						
13	NM02.007	996530059441	OR 2025 IN TERMOIL						
14	20000440	996530009825	BLACK WATER INLET SLEEVE BREW UNIT ASSY.						
15	9160.075	996530050382	PERCOLATOR DE=35,8 ELFO ASSY.						
16	11001556	996530000898	SS BREW UNIT SPRING H=49 SMART						
17	9161.094.050	996530050539	BLACK BREW UNIT DRILLED BLOCK						
18	11004161	996530002096	BLACK SCRAPER FOR BREW UNIT M5000						
19	9161.066.050	996530050492	BLACK BREW UNIT ELBOW SHAFT M5000						
20	11003793	996530001917	BLACK BREW UNIT FRONT PLATE M5000						
21	12000550	996530007838	SCREW TCB TORX 10 3X25 PLAST.SS						
22	11003077	996530001451	BLK BREW UNIT INTEGRAL PISTON 8GR.ASSY.						
23	9161.198	996530050627	SS.8GR.BREW UNIT PISTON SPRING						
24	9161.191	996530050618	WHITE 8GR.-12GR.BREW UNIT PISTON BUSH						
25	NM02.018	996530059451	OR ORM 0090-25 TERMOIL						
26	11003075	996530001448	BLACK COFFEE CONTAINER BREW UNIT P124						
27	11003078	996530001452	BLACK CONNECTING ROD BREW UNIT 8GR.						
28	11003795	996530001919	BLACK HOPPER COFF.BREW UNIT S/SCR.M5000						
29	9161.046	996530050455	SS SCRAPER SPRING FOR BREW UNIT						
30	12000897	996530007953	SCREW TCB TORX 10 3,5X20 PLAST.SS						
31	9161.045	996530050454	SS BREW UNIT HANDGRIP SPRING M5000						
32	11003791	996530001915	BLACK BREW UNIT HANDGRIP M5000						
33	129912521	996530013148	SCREW TCB TORX 10 3,5X14 PLAST.SS						
34	11023086	996530007577	BLK 8GR.BREW UNIT NTEGR.PISTON GEN.ASSY.						
35	11003800	996530001925	BLACK BREW UNIT MAGIC/ROYAL						

BLACK BREW UNIT MAGIC/ROYAL

TABLE 1/1