

HD8964/01-08
 HD8965/01
 HD8966/01-08-11-13

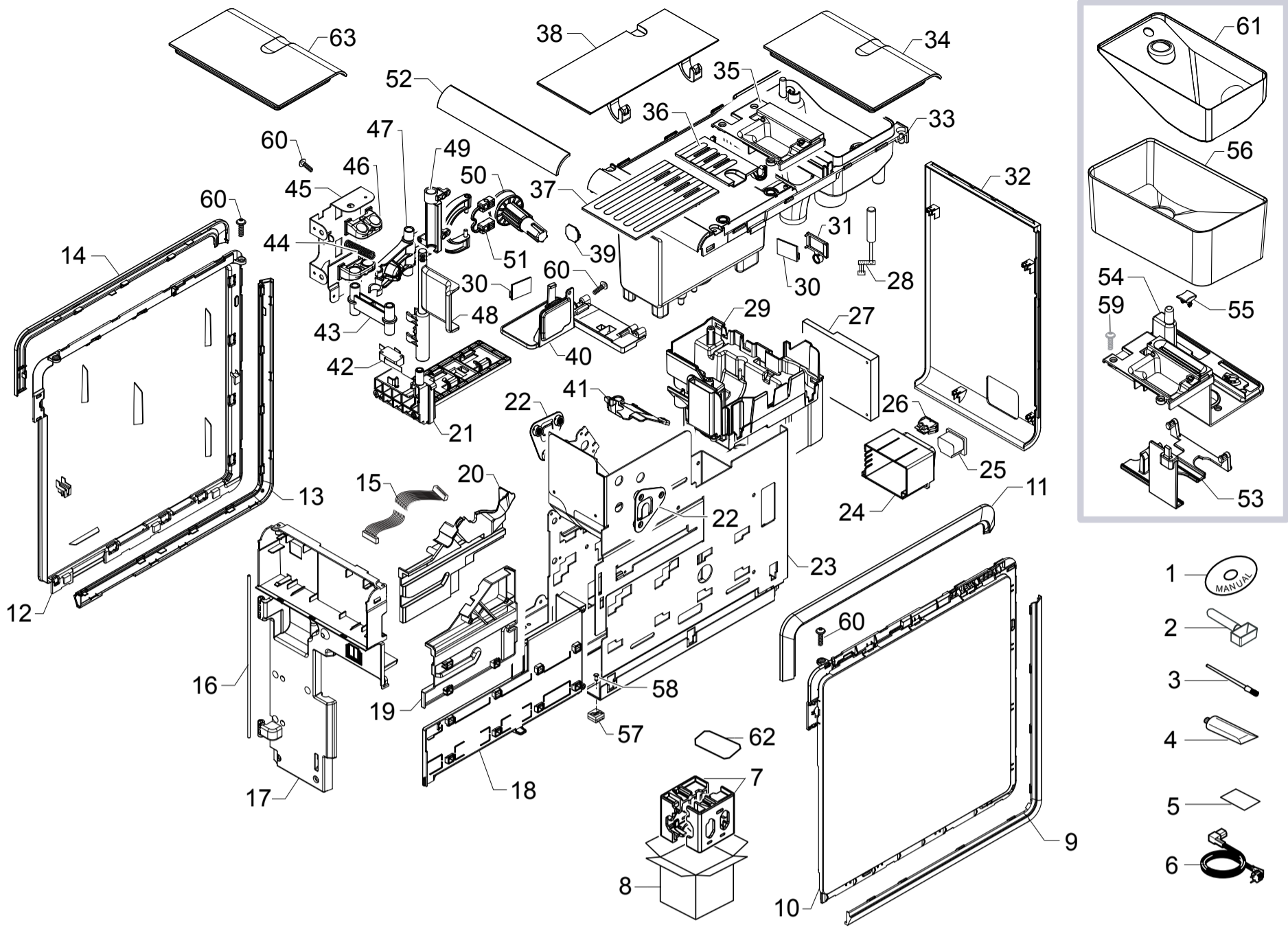


Cod. 10004234-882896408150
 Cod. 882896501010
 Cod. 10004434-882896608150- 882896611010- 882896613530

POS	CODE	12NC	DESCRIPTION	NOTE	POS	CODE	12NC	DESCRIPTION	NOTE
01		421940437791	DOCUMENTAT.CD CST GRANBARISTO ASSY.		30	11003232	996530001522	AS.CPU+SW WATER LEVEL SENSOR V2	
02	146680850	996530016529	BLACK COFFEE MEASURE SMART		31	17001719	996530073734	BLK CAPACIT.SENSOR LOCKING INSERT CST	
03	127390100	996530011867	BRUSH FOR CLEANING		32	17001699	996530073692	REAR CASING COVER CST	
04	11028379	996530070318	PSA KLUBER TRIBOSTAR SIL 2 TUBE 5GR.				421941302031	WHT REAR CASING COVER CST	
05	0301.961	996530039604	STICKER FOR WATER HARDNESS TEST		33		421944000241	BLK COVER CASING CST/B	BASE / BLK
06		421946001591	BLK POWER CABLE SCHUKO L=800				421941286552	WHT COVER CASING V2 CST/HM	MID/SS WHITE
	183970350	996530025882	BLK POWER CABLE UK L=1200				421944012611	BLK COVER CASING CST/BM	BASE / SS BLK
	183940650	996530025872	BLACK POWER CABLE AUSTRALIA L=1200				421944012582	BLK COVER CASING V2 CST/HM	MID/SS BLK
07		421940813021	KIT PS-E INSERT FOR BOX CST		34	17002069	996530073703	NAT/GRY BEAN COF.CONTAINER LID CST ASSY.	
08		421940312091	DISPL.BOX CST SAE COFFEE ST EU		35		421944000231	BLK CASING INSIDE COVER PLATE CST	
09		421941301721	BLK RIGHT SIDE CASING LOWER FRAME CST		36	17001446	996530073769	BLACK GROUND CONTAINER DOOR CST	
		421941301801	CHROM.RIGHT SIDE CASING LOWER FRAME CST		36		421941302061	WHT GROUND CONTAINER DOOR CST	
10	17001702	996530073782	BLK RIGHT SIDE CASING COVER CST		37	17001779	996530073777	BLACK CUP WARMING LID CST/H	
		421941301811	WHT RIGHT SIDE CASING COVER CST				421941302041	WHT CUP WARMING LID CST	
11		421941301691	BLK RIGHT SIDE CASING UPPER FRAME CST		38	17001447	996530073783	BLACK WATER CONTAINER DOOR CST/H	
		421941301771	CHROM.RIGHT SIDE CASING UPPER FRAME CST				421941302081	WHT WATER CONTAINER DOOR CST	
12	17001703	996530073748	BLK LEFT SIDE CASING COVER CST		39	17000363	996530009605	TRANSP.INFRAREDS PLATE MDS	
		421941301831	WHT LEFT SIDE CASING COVER CST		40	17001718	996530073744	BLACK REAR COMPONENTS SUPPORT CST	
13		421941301711	BLK LEFT SIDE CASING LOWER FRAME CST		41	17001763	996530073747	BLK HORIZONT.MOUNTING PLATE PROTECT.CST	
		421941301791	CHROM.LEFT SIDE CASING LOWER FRAME CST		42	12001890	996530073209	MICROSWITCH XG/V3D	
14		421941301701	BLK LEFT SIDE CASING UPPER FRAME CST		43	17001692	996530073754	BLACK BREW UNIT TRANSMIS.GRAT JOINT CST	
		421941301781	CHROM.LEFT SIDE CASING UPPER FRAME CST		44		421944007771	SS BREW UNIT TRANSMIS.LEVER SPRING CST	
15	17800579	996530073759	10POLES CPU-PWR FLAT CABLE CST		45	17001490	996530073761	STEEL LEVER SUPPORT PLATE CST	
16	17001864	996530073751	STEEL PIN FOR DOOR HINGE CST		46	17001691	996530073721	BLK BREW UNIT TRANSMISS.LEVER SUPP.CST	
17	17001723	996530073751	BLACK DISPLAY SUPPORT CST		47	17001781	996530073786	BLK BREW UNIT TRANSMIS.LEVER CST ASSY.	
18	17000789	996530073715	BLACK BREW UNIT RIGHT SUPPORT PLATE CST		48	17001689	996530073779	BLACK BREW UNIT TRANSMIS.GRAT LEVER CST	
19	17000790	996530073731	BLACK BREW UNIT RIGHT COUPLING PLATE CST		49	17001696	996530073772	BLK BREW UNIT TRANSM.GRAT LEVER SUPP.CST	
20	17000791	996530073784	BLACK BREW UNIT LEFT COUPLING PLATE CST		50	17000799	996530073762	BLACK RATIONMOTOR TRANSMISSION SHAFT CST	
21	17001701	996530073743	BLACK FRONT COMPONENTS SUPPORT CST		51	17001690	996530073752	BLACK BREW UNIT TRANSMIS.SLIDER CST	
22	17001762	996530073758	BLACK INSERT FOR PISTON UNIT CST		52		421944007661	SB/SS CASING COVER INSERT CST/HM	STEEL MODELS
23	11030036	996530073758	BLACK STEEL CASING CST ASSY.		53	17002065	996530073746	BLK BEAN COF.CONT.RELEASE PLATE CST	STEEL MODELS
24	17001717	996530073756	BLACK SOCKET-SWITCH SUPPORT CST		54	17002091	996530073746	BLK BEAN COF.CONT.RELEASE FIX PLATE CST	STEEL MODELS
25	12001883	996530072437	CUP SOCKET V3 EN 60320 C 13				421944012591	BLK COF.CONT.RELEASE FIX PLATE CST/HM	MID/SS ONLY
26		242212625104	SWI POW 2P 12A 250V FASTON GP12H B		55		421941302011	WHT BEAN COF.CONT.RELEASE KNOB HGO	STEEL MODELS
27	11027377	996530073843	PWR+SW CST/T ASSY.	230V		17002119	996530073534	M/BLK BEAN COF.CONT.RELEASE KNOB HGO	MID/SS ONLY
28		421946000711	2POLES CONN.SENS.REED COF.CONTAIN.CST UL		56		421944015051	BLK REMOV.COF.CONT.S/SCR.CST/HM ASSY.	MID/SS / STEEL MODELS
29	17001682	996530073738	BLACK HORIZONTAL MOUNTING PLATE CST		57	11021829	996530007156	BLACK/TRANSP.RIGID FOOT MYB9	



GRANBARISTO



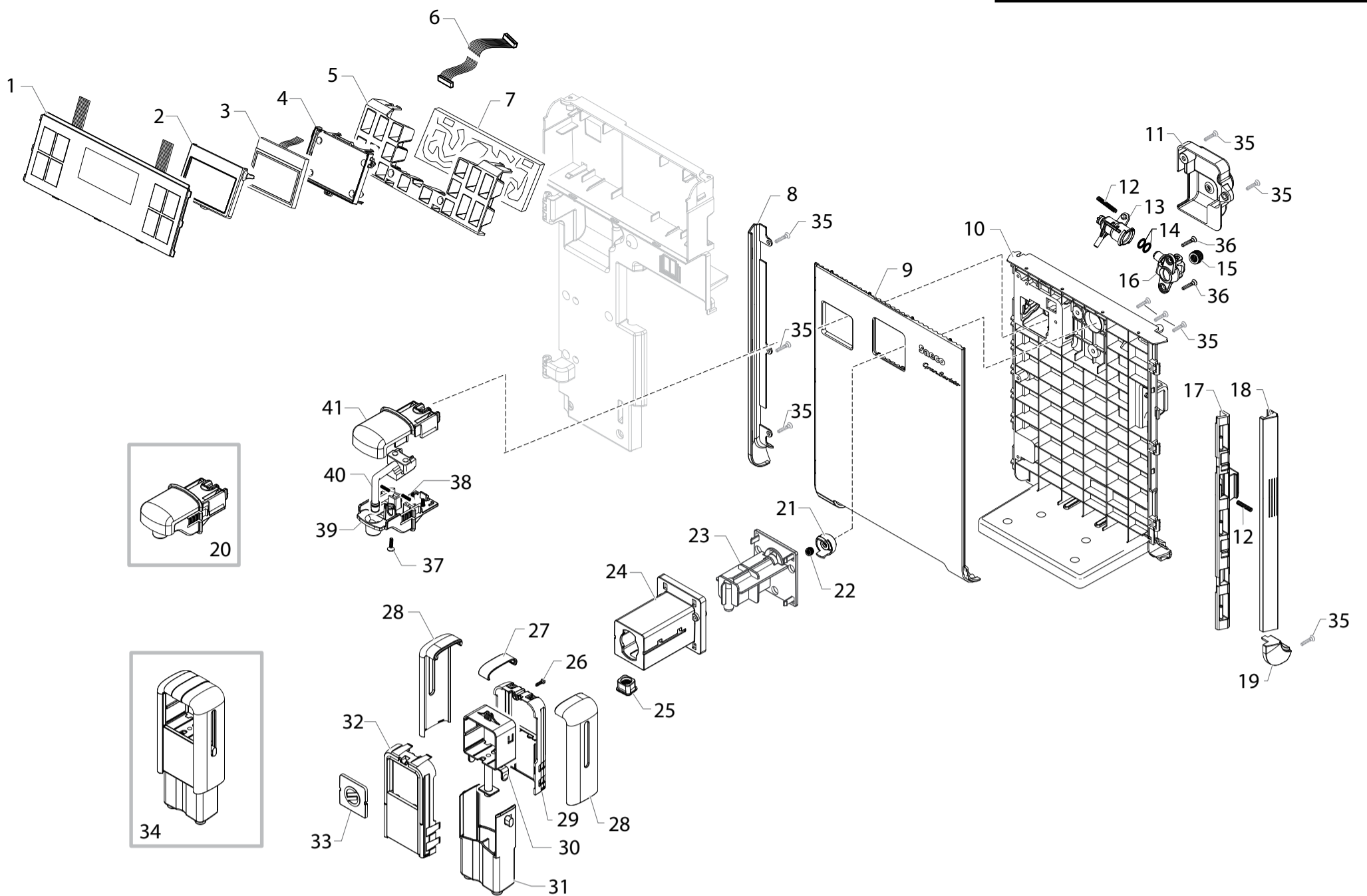
HD8964/01-08
 HD8965/01
 HD8966/01-08-11-13



Cod. 10004234-882896408150
 Cod. 882896501010
 Cod. 10004434-882896608150- 882896611010- 882896613530

POS	CODE	12NC	DESCRIPTION	NOTE	POS	CODE	12NC	DESCRIPTION	NOTE
58	11021769	996530007136	BLACK RIGID FOOT FIXING PIN MYB9						
59	12001787	996530073717	SCREW TCBR TORX 10 3X8 PLAST.SS						
60	12000450	996530007819	SCREW TCBR TORX 10 3,5X12 PLAST.ZN-N						
61		421944014971	BLK ADDITION.BEAN CONTAINER V2 CST ASSY.	STEEL MODELS					
62		421944013991	PS-E UPPER INSERT FOR BOX CST						
63		421944013671	WHT COVER HOLE TOP COVER CASING CST	MID/SS WHITE					
		421944008161	BLK COVER HOLE TOP COVER CASING CST	MID/SS BLK					





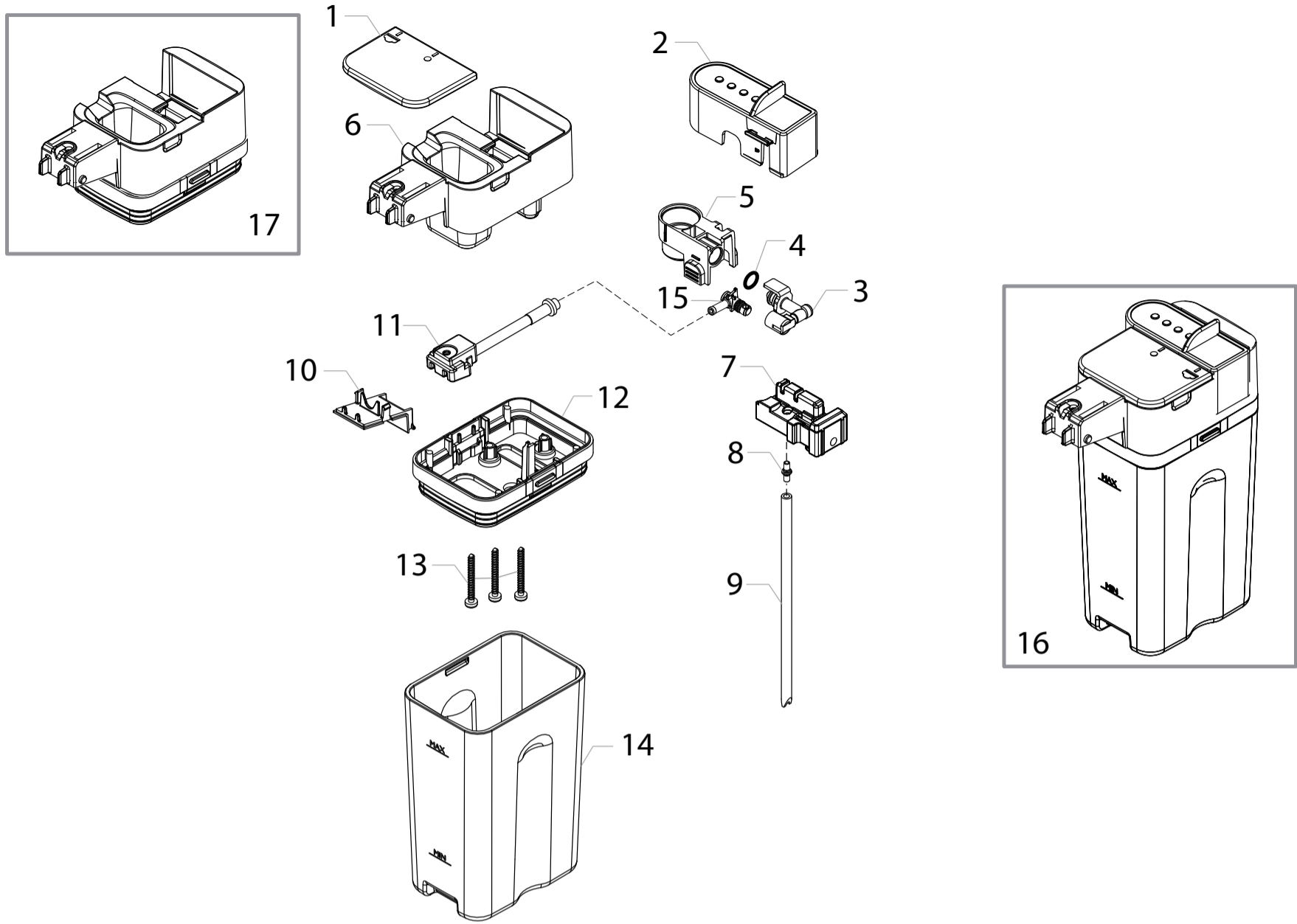
HD8964/01-08
HD8965/01
HD8966/01-08-11-13



Cod. 10004234-882896408150
Cod. 882896501010
Cod. 10004434-882896608150- 882896611010- 882896613530

POS	CODE	12NC	DESCRIPTION	NOTE	POS	CODE	12NC	DESCRIPTION	NOTE
01		421941301281	TRANSP.FRONT CASING S/SCR.CST ASSY.		32	17001709	996530073725	BLACK FRONT COF.DISPENSER COVER CST/H	
02	17001439	996530073706	BLACK DISPLAY SEAL CST		32		421941301211	SS COF.DISPENS.FRONT COVER CST/HM ASSY.	
03	11031168	996530073686	DISPLAY LCD 160x80 CST		33		421941301241	BLK COF.DISPENS.SUPP.CAP S/SCR.CST/H	
04	17001723	996530073718	BLACK DISPLAY SUPPORT CST				421941301251	SS COF.DISPENS.SUPP.CAP CST/HM ASSY.	
05		421944000201	WHT GUIDE LIGHT FRONT CASING CST		34	17001708	996530073749	BLACK COFFEE DISPENSER CST/H ASSY.	
06	17800579	996530073759	10POLES CPU-PWR FLAT CABLE CST				421941301221	SS COF.DISPENSER CST/HM ASSY.	
07		421941303501	CPU+SW CST/B ASSY.		35	12001728	996530070321	SCREW TCB TORX 10 3,5X12 PLAST.SS	
	11027374	996530073719	CPU+SW CST/T ASSY.	STEEL MODELS	36	12000450	996530007819	SCREW TCB TORX 10 3,5X12 PLAST.ZN-N	
08		421941301681	BLK DOOR LEFT INSERT CST		37	129913902	996530013164	SCREW TCB TORX 10 3X12 PLAST.ZN-B	
		421941301651	CHROM.DOOR LEFT INSERT CST		38	11005395	996530002873	STEEL MILK CONTAINER SUPPORT SPRING P124	
09		421941306391	ANT.DOOR COVER S/SCR.CST/H		39		421944004851	BLK LOWER BODY HOT WATER DISPEN.CST	
		421941306411	SS DOOR COVER S/SCR+LOGO SAE CST/HM ASSY		40	17001215	996530069842	BLACK HOT WATER DISPENSER TUBE NPR/T	
10	17001713	996530073775	BLACK INSIDE COVER DOOR CST		41		421944004841	BLK UPPER BODY HOT WATER DISPEN.CST	
11		421944007781	BLK STEAM CONNECTOR COVER CST						
12	17000006	996530009559	TWO WAY TEFLON TUBES SUPPORT SPRING MYB9						
13		421944007791	BLK CARAFE CONNECTOR INSERT CST						
14	12000621	996530007857	O-RING 2031 EPDM						
15		421944000271	BLK VALVE/BOILER WATER TUBE SEAL V2 CST						
16		421944007801	BLK CARAFE CONNECTOR INSERT SUPPORT CST						
17	17002218	996530073708	BLACK BUTTON FOR DOOR RELEASE CST						
18		421941301671	BLK DOOR RIGHT INSERT CST						
		421941301641	CHROM.DOOR RIGHT INSERT CST						
19		421941301661	BLK DOOR CLOSING RIGHT INSERT CST						
		421941301631	CHROM.DOOR CLOSING RIGHT INSERT CST						
20		421941302161	BLK HOT WATER DISPENSER CST ASSY.						
21	149213450	996530018123	BLK CAP FOR REAR COF.DISPENSER TUBE						
22	11013789	996530006858	BLACK EV CONNECTOR SEAL MYB9						
23	17001706	996530073773	BLACK COFFEE DISPENSER TUBE CST						
24		421941301231	CHROM.COF.DISPENS.SUPPORT CST						
25	11013072	996530006604	BLACK SEAL FOR COFFEE DISPENSER MYB9						
26	129913702	996530013162	SCREW TCB TORX10 2,5X8 PLAST.ZN-B						
27		421941301181	CHROM.COF.DISPENS.UPPER INSERT CST						
28		421941301171	CHROM.COF.DISPENS.FRONT INSERT CST						
29	17001712	996530073755	BLACK.REAR COVER COFFEE DISPENSER CST						
		421941304011	GRY COF.DISPENS.REAR COVER CST						
30	17001710	996530073698	BLACK COFFEE DISPENSER INNER BODY CST						
31	17001711	996530073688	BLACK EXT.MOBILE PART COF.DISPENSER CST						





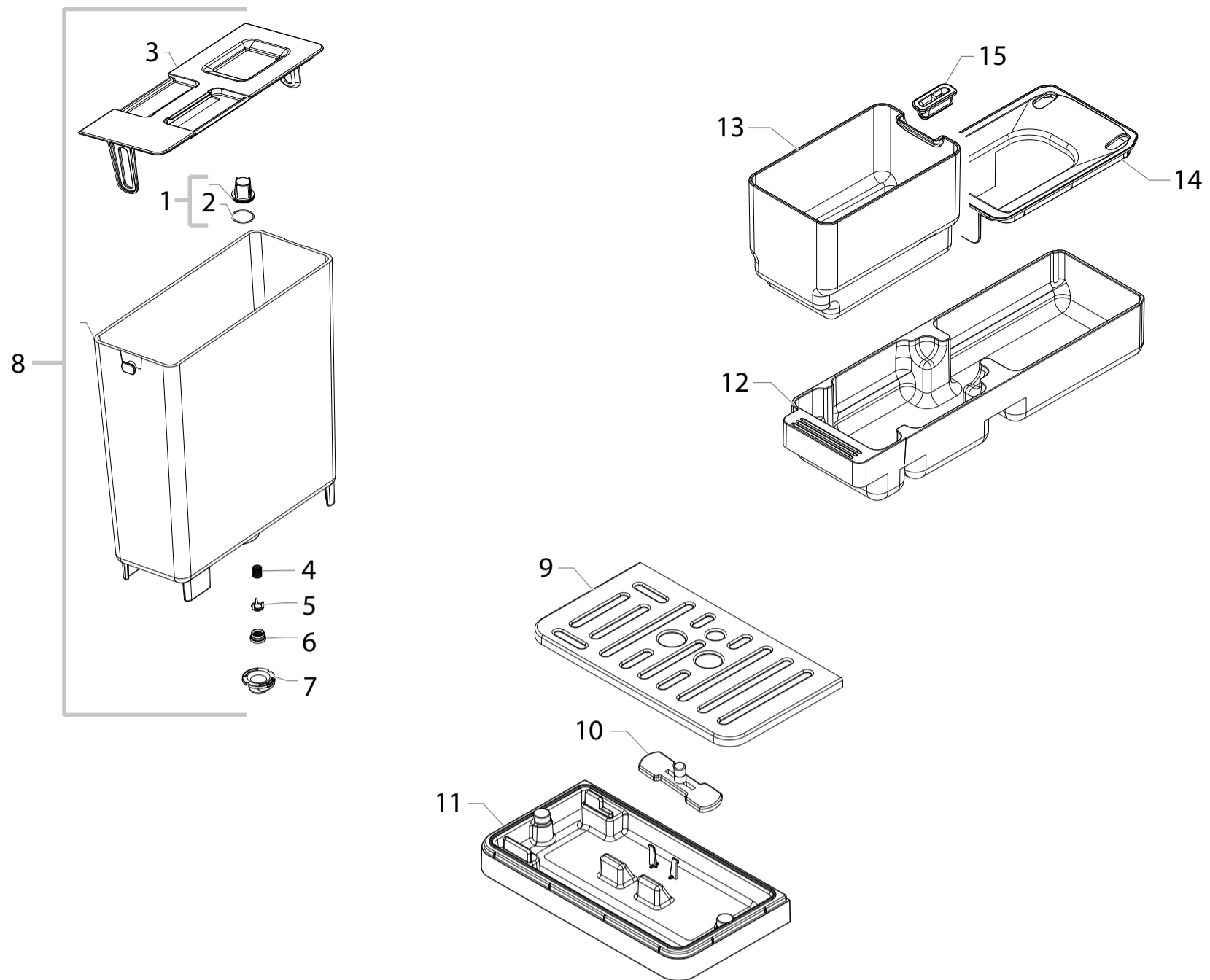
HD8964/01-08
HD8965/01
HD8966/01-08-11-13



Cod. 10004234-882896408150
Cod. 882896501010
Cod. 10004434-882896608150- 882896611010- 882896613530

POS	CODE	12NC	DESCRIPTION	NOTE	POS	CODE	12NC	DESCRIPTION	NOTE
01		421944007561	BLK CARAFE COVER PLUG SMR/T						
02	17002208	996530073643	MATT/BLK CARAFE CAPPUC.COVER SMR/T						
03	17002210	996530073651	CARAFE STEAM OUTPUT CONNECT.SMR/T ASSY.						
04	NM01.028	996530059392	O-RING 106 SILICONE						
05	17001985	996530073573	BLACK CARAFE CAPPUC.CASING HGO/T						
06	17002207	996530073573	BLACK UPPER COVER PART CARAFE SMR/T						
07	17002052	996530073606	BLK CARAFE MILK INLET BODY HGO/T						
08	17001362	996530068626	BLK MILK INTAKE TUBE CONNECT.INS.V2 RYL						
09	11012814	996530067584	SILICONE TUBE 3,5X6 L=140 MM						
10		421944001291	BLK CARAFE REAR COVER INSERT V2 NPR/T						
11	17002211	996530073579	BLACK CARAFE MILK DISPENSER TUBE SMR/T						
12		421944007641	BLK CARAFE LOWER COVER PART SMR/T						
13	12000897	996530007953	SCREW TCB TORX 10 3,5X20 PLAST.SS						
14	17001955	996530073613	TRANSP.CARAFE HGO/T						
15		421944006961	BLK CARAFE STEAM INPUT CONN.SMR/T ASSY.						
16	11031620	996530073654	TRANSP/BLK GEN.CARAFE SMR/T ASSY.						
17		421940813181	KIT SPARES BLK UPPER COV.PAR.CARAF.SMR/T						





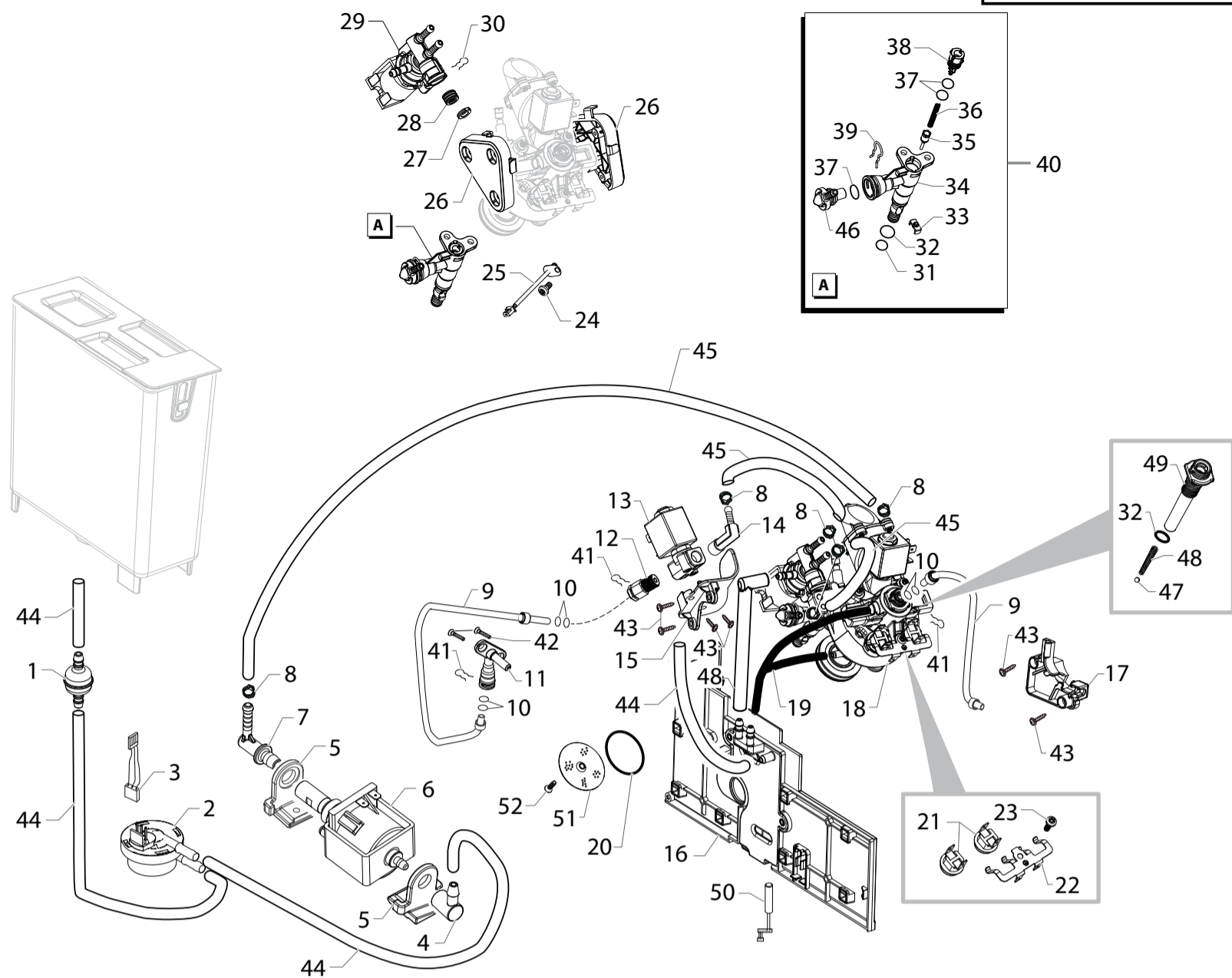
HD8964/01-08
HD8965/01
HD8966/01-08-11-13



Cod. 10004234-882896408150
Cod. 882896501010
Cod. 10004434-882896608150- 882896611010- 882896613530

POS	CODE	12NC	DESCRIPTION	NOTE	POS	CODE	12NC	DESCRIPTION	NOTE
01	224640200	996530029115	WHITE WATER CONTAINER EXT.FILTERASSY.	WITH PART.N°2					
02	140328461	996530013571	OR ORM 0190-10 EPDM						
03		421944000221	NAT/GRY WATER CONTAINER HANDLE V2 CST						
04	11003672	996530001831	SS SPRING FOR WATER CONTAIN.VALVE P0049						
05		421941157852	GRY WATER CONTAINER VALVE INSERT P0049						
06	11003671	996530001829	TRANSP.VALVE FOR WATER CONTAINER P0049						
07	17001366	996530073463	BLACK LID FOR DUCKBILL VALVE SMR						
08	17001736	996530073774	WATER CONTAINER CST ASSY.						
09	17001714	996530073781	SS DRIP TRAY GRATE CST						
10		421944003041	RED/BLK FLOAT FOR DRIP TRAY CST						
		421941306131	RED/WHT FLOAT FOR DRIP TRAY CST	MID /SS					
11	17000947	996530073792	BLACK DRIP TRAY CST ASSY.						
		421941301591	WHT DRIP TRAY CST ASSY.						
12	17001905	996530073696	BLACK COFFEE UNIT DRIP TRAY CST						
13	17000946	996530073701	BLACK DUMP BOX CST ASSY.						
14		421944000371	BLK DRIP TRAY COF.BREW UNIT COVER CST						
15		421944015541	DRIPTRAY COF.BREW UNIT COVER SEAL V2 CST						





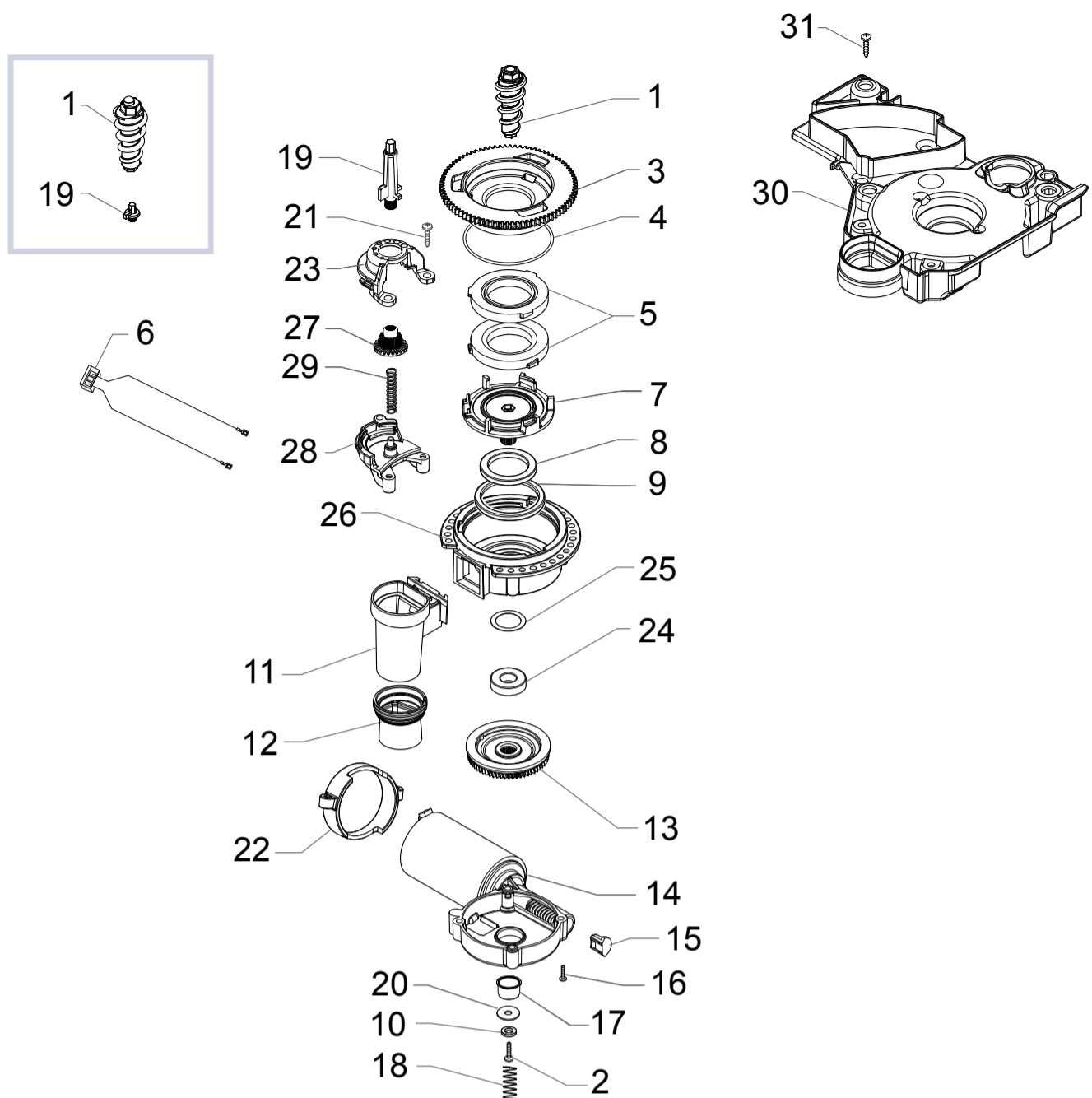
HD8964/01-08
 HD8965/01
 HD8966/01-08-11-13



Cod. 10004234-882896408150
 Cod. 882896501010
 Cod. 10004434-882896608150- 882896611010- 882896613530

POS	CODE	12NC	DESCRIPTION	NOTE	POS	CODE	12NC	DESCRIPTION	NOTE
01	12001595	996530067498	TRANSPWHITE ASPIRATION FILTER MDS		38	17001778	996530073745	BLACK CAP FOR PIN BOILER CST	
02	NV99.099	996530059843	TURBINE D=1,2 932-8521/00 ASSY.		39	11005096	996530002744	SS FORK SPRING FOR BLOWDOWN VALVE P0049	
03	17800446	996530073716	6POLES CONNECT.DRIP TRAY+FLOWMETER CST		40	17001776	996530073687	PIN FOR BOILER CST ASSY.	
04	147920150	996530017348	90° INLET PUMP CONNECTOR		41	9011.144	996530048885	SS FORK FOR TUBE D=4	
05	17001235	996530073716	BLACK PUMP SUPPORT CST		42	12001787	996530073717	SCREW TCB TORX 10 3X8 PLAST.SS	
06	12000140	996530007753	ULKA PUMP EP5/S GW	230V-50HZ	43	12000450	996530007819	SCREW TCB TORX 10 3,5X12 PLAST.ZN-N	
07	17002000	996530073716	BLK PUMP OUTLET CH12 90°CONNECTOR CST		44	JS01.022	996530057357	SILICONE TUBE 5X10 60SH	IN ROLL
08	12000892	996530007947	OETIKER CLAMP D=9,5 16700004		45	16000380	996530009505	5X8,9 SILICONE TUBE	IN ROLL
09	421941305021	421941305021	TEFLON TUBE 2X4 L=220 MM ASSY.		46	11012247	996530006341	BLACK BLOWDOWN VALVE CAP MYB9	
10	140328059	996530013564	OR 2015 SILICONE PTFE/FDA		47	9991.168	996530051874	GLASS SPHERE D.5 MM	
11		421944007811	BLK OUTPUT STEAM TUBE CONNECTOR CST		48	9161.222	996530050657	SS.CONICAL SPRING	
12	11008875	996530005076	TEA/BRASS CONNECTOR 1/8" FOR TUBE D=4		49	17001769	996530073778	BLK PISTON UNIT COFF.OUTLET CONNECT.CST	
13	17001262	996530073681	LFBASS 2W.EV 21JN1RRV20-X005+LBV05024CU		50	17800442	996530073661	2POLES CONNECT.SENSOR REED DUMP BOX CST	
14	11024469	996530067632	L-F/BRASS CONNECTOR FOR BOILER AURA		51	9161.268	996530050709	PERCOLATOR DE=35,8 ELFO	
15	17001697	996530073763	BLACK SOLENOID VALVE SUPPORT CST		52	12000895	996530007951	SCREW TSP TORX 10 3X10 PLAST.SS	
16		421944015991	BLK BREW UNIT LEFT SUPP.PLATE V2 CST ASS						
17	17001758	996530073763	BLACK TEFLON TUBE SUPPORT CST						
18		421941279572	PISTON UNIT V2 CST 230V ASSY.						
19	17001902	996530073741	TRANSP.DRAIN OIL CONNECTOR CST						
20	NM01.044	996530059406	OR ORM 0320-40 SILICONE PTFE/FDA						
21	12001033	996530007973	THERMOSTAT ONE SHOT 190°						
22	17001521	996530073785	TUB.BOILER THERMOST.FIXING SPRING CST						
23	129583102	996530012941	SCREW TCB M4X12 AUTOFORMING ZN-B						
24	129573202	996530012921	SCREW TCB TORX 20 M4X8 AUTOFORMING ZN-B						
25	17800628	996530073428	TEMPERATURE SENSOR NTC UL L=550MM						
26	17001759	996530073785	BLK PISTON UNIT UPPER PART SUPP.CST						
27		421944000281	WHT BOILER TUBE SPACER V2 CST						
28		421944000271	BLK VALVE/BOILER WATER TUBE SEAL V2 CST						
29		421944001171	BLOWDOWN VALVE V2 CST 24V ASSY.						
30		421944000261	SS FORK FOR TUBE D=6,25						
31	NM01.057	996530059419	OR ORM 0050-20 IN SILICONE						
32	NM01.035	996530059399	OR ORM 0090-20 SILICONE						
33	11005099	996530002747	NATURAL CURSOR V2 FOR BOILER P119						
34	17001777	996530073785	NAT.PIN FOR BOILER CST						
35	11009019	996530005183	TEA/BRASS PISTON L=20,9 ASSY.						
36	9011.132	996530048874	SS SPRING FOR PIN						
37	12000621	996530007857	O-RING 2031 EPDM						





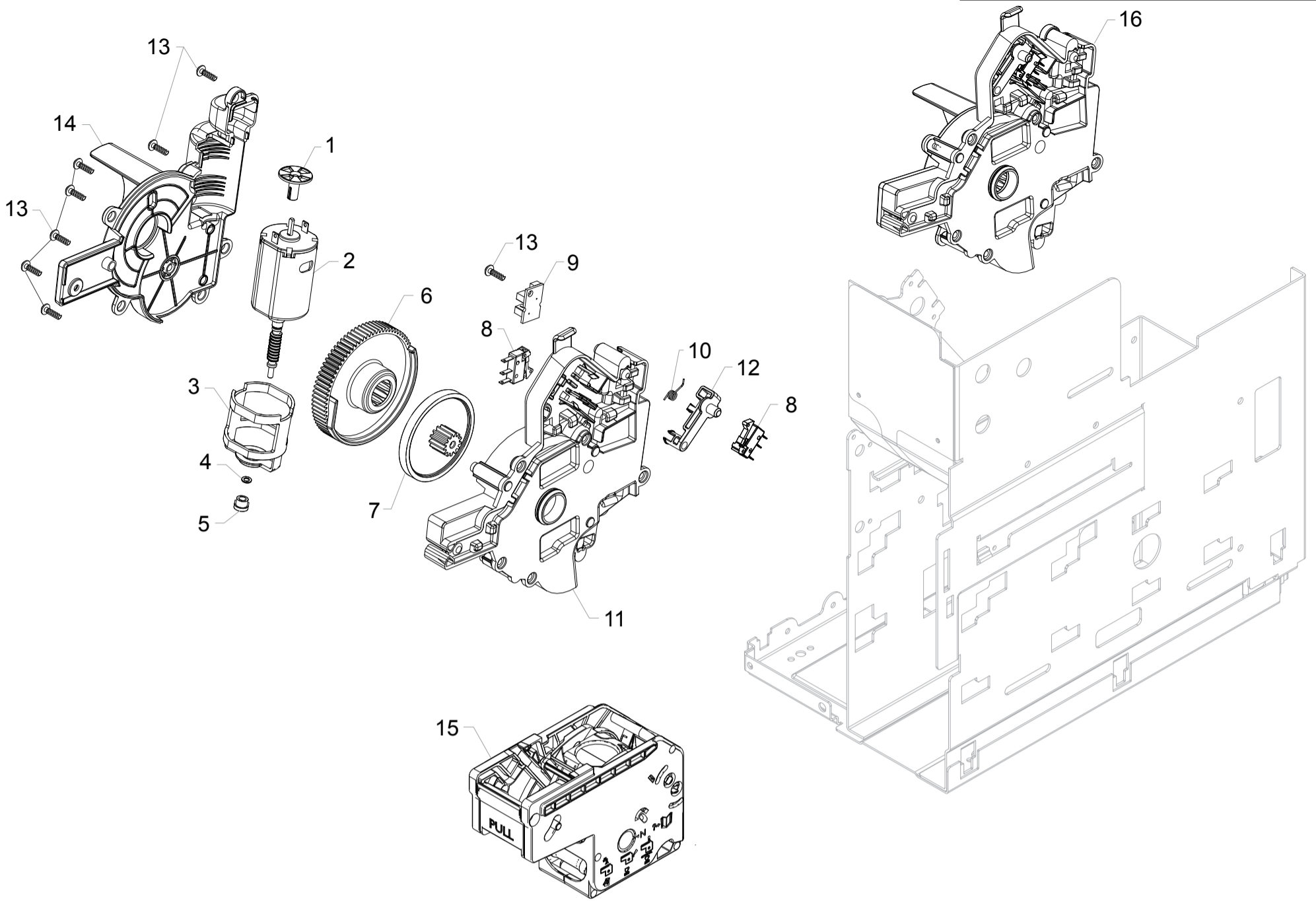
HD8964/01-08
 HD8965/01
 HD8966/01-08-11-13



Cod. 10004234-882896408150
 Cod. 882896501010
 Cod. 10004434-882896608150- 882896611010- 882896613530

POS	CODE	12NC	DESCRIPTION	NOTE	POS	CODE	12NC	DESCRIPTION	NOTE
01	11011205	996530005991	TEA ZAMA INCREASE SCREW GRINDER						
		421944011811	AS.VITE INCREM.MC C/FORO CST ZAMA/TEA	STEEL WHITE ONLY					
02	129574802	996530012928	SCREW TCB TORX 20 M4X30 ZN-B						
03		421941094152	BLK COF.GRINDER UPPER GRINDER SUPPORT V2						
04	140328960	996530013577	OR ORM 0530-15 NBR FDA						
05	146520100	996530016342	BAKED CLAY GRINDER 48X28						
06	17800450	996530017952	2POLES CONNECTOR GRINDER MOTOR CST						
07	149198350	996530011183	BLK LOWER COFFEEGRINDER GRINDER SUPPORT						
08	123030300	996530013597	AXIAL BEARING EKKO 342.35252						
09	140360500	996530012341	FELT RING 45,4X39,4X4						
10	128310402	996530068049	GALV.WASHER UNI 8842 A4						
11	11026355	996530068049	BLK GROUND COFF.OUTLET CONVEYOR V4 ASSY.						
12	17001261	996530073695	TRANSP.GROUND COFFEE CONT.LOWER SEAL CST						
13	226000300	996530029609	GEAR SX Z=38 FOR GRINDER MOTION ASSY.						
14	11000513	996530000317	MOTOR COFFEEGRINDER V3.1 230V ASSY.						
15	149214800	996530018139	MC V3 MOD=1,25 WORM SCREW CENTRING CAP						
16	129661702	996530012992	SCREW TCB TORX 3,5X30 PLAST.ZN-B						
17	11002873	996530001389	INSULATOR BUSH FOR GRINDER MOTOR P124						
18	11000597	996530000376	STEEL COF.GRINDER SUPPORT SPRING P124						
19		421944012702	BLK BEAN COFFEE GRINDER INSERT V2 CST/B						
		421944001091	INS.REG.MACINAT.CAF.GRA.HGO GIA.	STEEL WHITE ONLY					
20	128381902	996530012375	STEEL FLAT WASHER DI=4,3 DE=14 SP=1,5						
21	129914002	996530013165	SCREW TCB TORX 10 3,5X16 PLAST.ZN-B						
22	11000194	996530000115	BLACK COFFEEGRINDER MOTOR SUPPORT P124						
23	11002508	996530001296	UPPER COFFEEGRINDER GEAR SUPPORT P124						
24	123030200	996530011182	RADIAL BEARING 61900.2RS1						
25	128381800	996530012374	STEEL CRINKLE WASHER 21,8X14X0,25						
26	142905450	996530015258	BLK UPPER BODY WITH COFFEE GROUND OUTLET						
27	11003784	996530001907	COFFEE GRINDING ADJUSTMENT GEAR P0049						
28	11002613	996530001314	LOWER COFFEEGRINDER GEAR SUPPORT P124						
29	11002572	996530001308	COFFEEGRINDER REGULATION SPRING P124						
30	17001681	996530073702	BLK COF.GRINDER SOUNDPROOFING COVER CST						
31	12000450	996530007819	SCREW TCB TORX 10 3,5X12 PLAST.ZN-N						
	17001683	996530073737	GEN.MOTOR COFFEE GRINDER CST 230V ASSY.						
		421944015011	GEN.MOTOR COF.GRINDER CST/HM 230V ASSY.	STEEL WHITE ONLY					





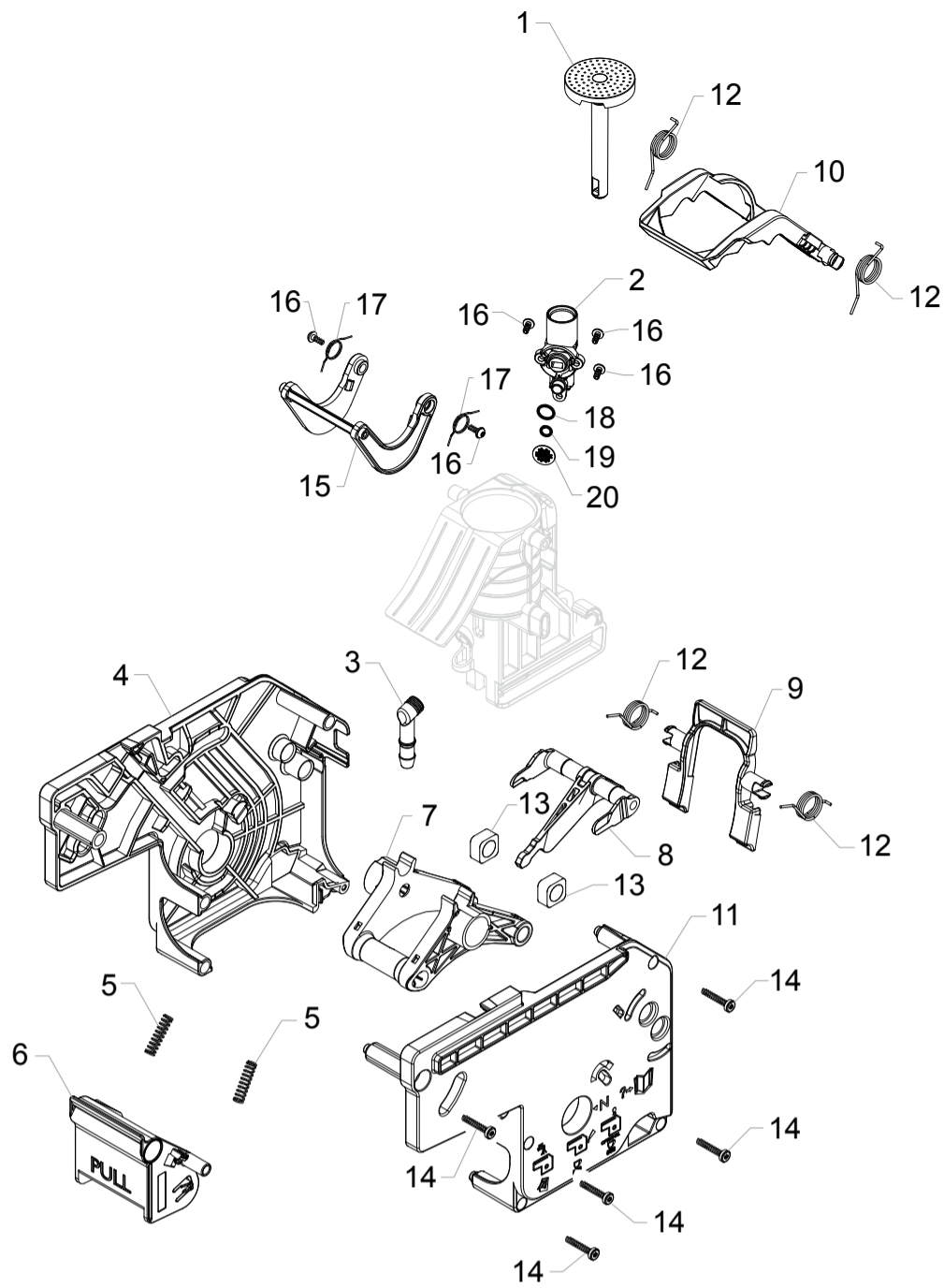
HD8964/01-08
 HD8965/01
 HD8966/01-08-11-13



Cod. 10004234-882896408150
 Cod. 882896501010
 Cod. 10004434-882896608150- 882896611010- 882896613530

POS	CODE	12NC	DESCRIPTION	NOTE	POS	CODE	12NC	DESCRIPTION	NOTE
01	17000797	996530073711	BLACK ENCODER MOTOR INSERT CST						
02	17001611	996530073707	MOTOR FOR RATIOMOTOR CST ASSY.						
03	9121.044	996530049896	ANTIVIBRATION FOR MOTOR						
04	148380200	996530017424	BAKELIZZATE WASHER D=5,5						
05	9121.046	996530049898	BRONZE SINTERED BUSH FOR MOTOR RATIOMOT.						
06	17000800	996530073735	BLACK GEAR Z=77 FOR RATIOMOTOR CST						
07	146002800	996530016272	GREY GEAR Z=13/90 FOR RATIOMOTOR P124						
08	12001841	996530073474	MICROSWITCH XC/SM1						
09	11027610	996530073742	GHEAR BOX ENCODER BOARD CST						
10	11013785	996530006856	STEEL TEFLON TUBES SUPPORT SPRING MYB9						
11	17000807	996530073689	BLK RATIOMOTOR CASING WITH PIN CST ASSY.						
12	17000798	996530073691	BLK BREW UNIT PRESENCE MICRO LEVER CST						
13	12000450	996530007819	SCREW TCBR TORX 10 3,5X12 PLAST.ZN-N						
14	17000795	996530073771	BLACK RATIOMOTOR COVER CST						
15	17000783	996530073764	BLACK BREW UNIT CST						
16	17000794	996530073697	BLACK RATIOMOTOR CST ASSY.						





HD8964/01-08
 HD8965/01
 HD8966/01-08-11-13



Cod. 10004234-882896408150
 Cod. 882896501010
 Cod. 10004434-882896608150- 882896611010- 882896613530

POS	CODE	12NC	DESCRIPTION	NOTE	POS	CODE	12NC	DESCRIPTION	NOTE
01	17000764	996530073722	BLK BREW UNIT INTEGRAL PISTON CST ASSY.						
02	17000757	996530073789	BLACK BREW UNIT WATER INLET SLEEVE CST						
03	17001293	996530073729	BLK BREW UNIT DRAIN COFFEE CONNECT.CST						
04	17000751	996530073727	BLACK BREW UNIT LEFT PLATE CST						
05	17000006	996530009559	TWO WAY TEFLON TUBES SUPPORT SPRING MYB9						
06	17000767	996530073728	BLACK BREW UNIT COUPLING LEVER CST						
07	17000753	996530073766	BLACK BREW UNIT ELBOW SHAFT CST						
08	17000754	996530073714	BLACK BREW UNIT CONNECTING ROD CST						
09	17000768	996530073768	BLACK BREW UNIT LOCKING LEVER CST						
10	17000755	996530073705	BLACK BREW UNIT PISTON SCRAPER CST						
11	17000752	996530073704	BLACK BREW UNIT RIGHT PLATE CST						
12	17000765	996530073713	SS BREW UNIT COUNTERP:SCRAPER SPRING CST						
13	9161.094.050	996530050539	BLACK BREW UNIT DRILLED BLOCK						
14	12000897	996530007953	SCREW TCB TORX 10 3,5X20 PLAST.SS						
15	17000756	996530073767	BLK BREW UNIT COUNTERPISTON SCRAPER CST						
16	12001787	996530073767	SCREW TCB TORX 10 3X8 PLAST.SS						
17	17000766	996530073733	SS BREW UNIT PISTON SCRAPER SPRING CST						
18	NM01.035	996530059399	OR ORM 0090-20 SILICONE						
19	12000070	996530007732	OR ORM 0060-15 SILICONE						
20		421944015931	SS COF.FILTER HOLES D=1 BREW UNIT CST						
	17000783	996530073764	BLACK BREW UNIT CST						

