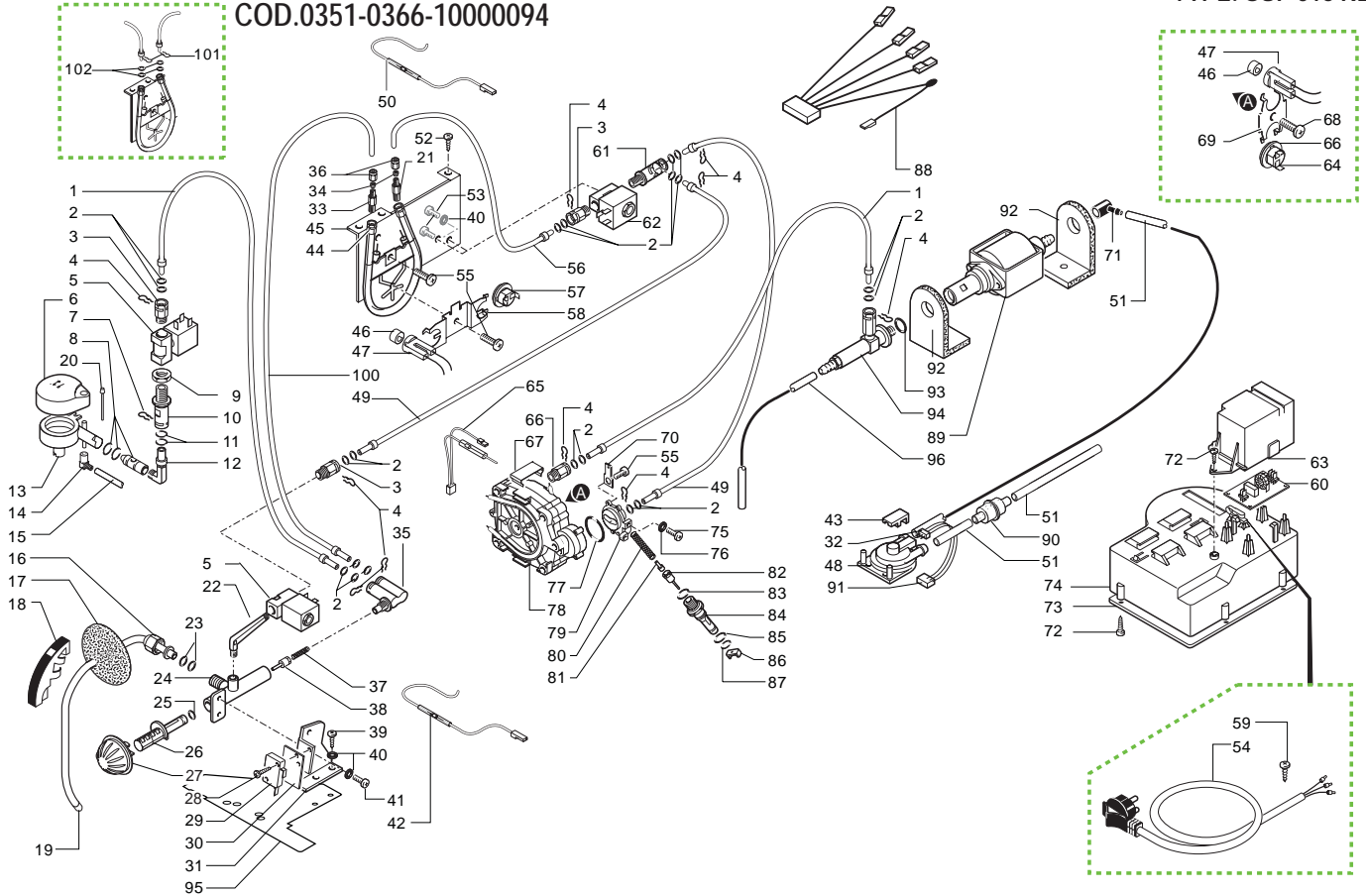


Ref.	Code	Description	Version
01	0301.812	CONNECTOR ASS. 4 POLE CUPWARMER	WITH ALUM.BOILER
02	NF18.001	PLATE FOR PIN D.3,2	
03	0347.011.050	FIDEX SLEEVE	IN ROLL
04	JS01.005	SILICONE TUBE 5X8 BROWN	
05	0347.006.710	MOBILE DISPENSER CASING GREY	
06	NM02.010	OR ORM 0050-20 TERMOIL	
07	0347.005.710	FIXED CASING DISPENSER BLACK	
08	0347.A02.710	WHOLE MESH GREY UPPER DISP.RAL 7021	
09	0360.024.050	CAP FOR BODY	
10	0347.A05.710	WHOLE MESH GREY LOWER DISP.RAL7021	
11	0347.A03.710	DISPENSER ASS. GREY RAL 7021	
12	0301.033.150	TANK CASING GREY	
13	129670202	TCB PANEL/VIT SCREW 3,5X16 TESTAD-8 ZNP	
14	0347.009.430	CHROMATE GRID FOR TANK	
15	0347.013.970	RED BALL FLOAT	
16	0347.004.430	CHROMATE DISPENSER COVER	
17	0314.022.760	DRIP TRAY PAINTED BLUE	
	0314.022.770	DRIP TRAY SILVER	
18	0312.016.280	RUBBER TUBE HOLDER GREY	
19	0312.015.66A	CUPWARMING PLATE ASS.SILVER	230V
	0312.015.66F	CUPWARMING PLATE ASS.SILVER	120V
20	0312.014	CUPWARMER SEAL	
21	0312.017	TUBE FOR CASING LID	
22	U201.005	PLAIN WASHER 4.3X12 DIN 7349 GAL.	
23	129573202	SCREW TCB TORX 20 M4X8 AUTOF. ZN-B	
24	0327.036	GENERAL SWITCH PROTECTION	
25	U043.012	SCREW TCBC M4,0X6 UNI 7687 GALV.	
26	NE03.028	SWITCH B1031C1181000W	
	NE03.038	UP TO S/N. 9003ROY0465194 X 230V BIPOLAR SWITCH FUSIT C1250AR FROM S/N. 9003ROY0465195 X 230V	
27	0314.007.760	CASING ASS. WITH SLOTS BLUE	
	0314.007.660	CASING ASS. WITH SLOTS SILVER	
28	U110.005	SCREW AUT.TCB 3,9X9,5 DIN 7981 F	
29	0312.032.760	DUMP BOX BLUE	
	0312.032.770	DUMP BOX PAINTED SILVER	
30	0301.048.150	ROTATING RING GREY	
31	9991.096	ADHESIVE FOOT 8X15X3,2	
32	NE15.003	MALE TONGUE PLAIN 6,3 D.5,2	
33	128310402	GALV.WASHER UNI 8842 A4	
34	147700200	LOADING PUMP DIAMETER 17 MM	USA
35	0701.031.150	SEAL COVER GREY	
36	145842900	WATER CONTAIN.VALVE SEAL COG DIM14	
37	12000895	SCREW TSP TORX 10 3X10 PLAST.SS	
38	0701.014.150	SEAL CONTAINER GREY	
39	140320461	OR ORM 0080-20 IN TERMOIL	
40	0301.022.770	COFFEE LID SILVER	
41	0314.905	RIGHT LOWER INSERT IN TECHMATE	
42	0329.006.230	COFFEE CONTAINER	
	0317.010.230	COFFEE CONTAINER UL	
43	129512921	SCREW TCB TORX 10 2,9X13 SHEET SS	

Ref.	Code	Description	Version
44	0313.008.770	DOSER LID DIGITAL SILVER	
	0334.011.770	DOSER LID UL DIGITAL SILVER	
45	0312.013.280	PLUG FOR SCREW HOLE GREY	
46	0351.001.770	LID SAECO PROFESSIONAL SILVER	
	0366.002.770	LID SAECO PROFESSIONAL SILVER	
47	0301.019	PEG FOR DOOR SUPERAUTOM.	
48	0301.020	PIN FOR DOOR SUPERAUTOMATICA	
49	9161.140	SEAL FOR UNIT PLATE	
50	147623150	BLACK SQUARE ADHESIVE FOOT 5023	
51	0301.041.150	UNIT SUPPORT PLATE GREY	
52	0301.046.230	WATER TANK ASS. SUPERAUTOM.	
	0317.A16.230	WATER TANK ASS. MAGIC UL	
53	0301.023.770	WATER LID SILVER	
54	NM01.032	OR ORM 0060-30 SILICONE BLACK	
55	9161.110	SPRING FOR PISTON FOR SUPERAUTOM.	
56	9111.027.150	GREY PISTON FOR WATER CONTAINER	
57	9161.050.230	NAI/TRANSP.CAP.FOR.FLOATING SPACE MAGIC	
58	9161.112.150	LEVEL FLOAT GREY	
59	0313.001.760	DOOR ASS. ROYLA BLUE	
	0313.001.660	DOOR COVER S/SCREEN GREY	
60	0313.012.760	DOOR COVER S/SCREEN BLUE	
	0313.012.660	COVER FOR DOOR S/SCREENED	
61	0301.040.150	DOOR CLOSURE LEVER GREY	
62	U433.001	NAIL 2X06 UNI 7591 BURN.	
63	0301.039.760	DOOR CLOSURE KNOB BLUE	
	0301.039.660	DOOR CLOSURE KNOB SILVER TF	
64	0313.013	RESIN PACKET INTAFIL SYSTEM	
65	0313.015	RESIN CONTAINER LID INTAFIL	(D)
66	0313.014	RESIN CONTAINER INTAFIL SYSTEM	(D)
67	0313.016	WATER TANK ADAPTER INTAFIL	(D)
68	0351.951	INST. BOOKLET DIGITAL D	(D)
	0351.952	INST. BOOKLET DIGITAL F	
	0351.953	INST. BOOKLET DIGITAL I	
	0351.954	INST. BOOKLET DIGITAL NL	
	0351.955	INST. BOOKLET DIGITAL GB	
	0351.956	INST. BOOKLET DIGITAL E	
	0351.957	INST. BOOKLET DIGITAL P	
69	127390100	BRUSH FOR CLEANING	
70	9991.040.150	MEASURE GREY	
	9991.040.060	MEASURE BROWN	
71	11005044	SAECO KLUBER TRIBOSTAR SIL2 TUBE 5GR.	
72	0314.907	LEFT UPPER INSERT IN TECHMATE	
73	0314.909	DRIP TRAY BOX	
74	0330.906	SPACER IN POLYSTYRENE	
75	0314.904	LEFT LOWER INSERT IN TECHMATE	
76	0347.901	EXTERNAL BOX FLEXO ROYAL	
77	0314.906	RIGHT UPPER INSERT IN TECHMATE	
78	21001120	ACC SAE BRITA WATER FILTER 1 UNIT	
	21000961	ACC SAE BRITA WATER FILTER 1 UNIT	
	21001123	ACC SAE BRITA WATER FILTER 1 UNIT	
79	129913202	SCREW TCB TORX 10 3X8 PLAST.ZN-B	USA EU ASIA

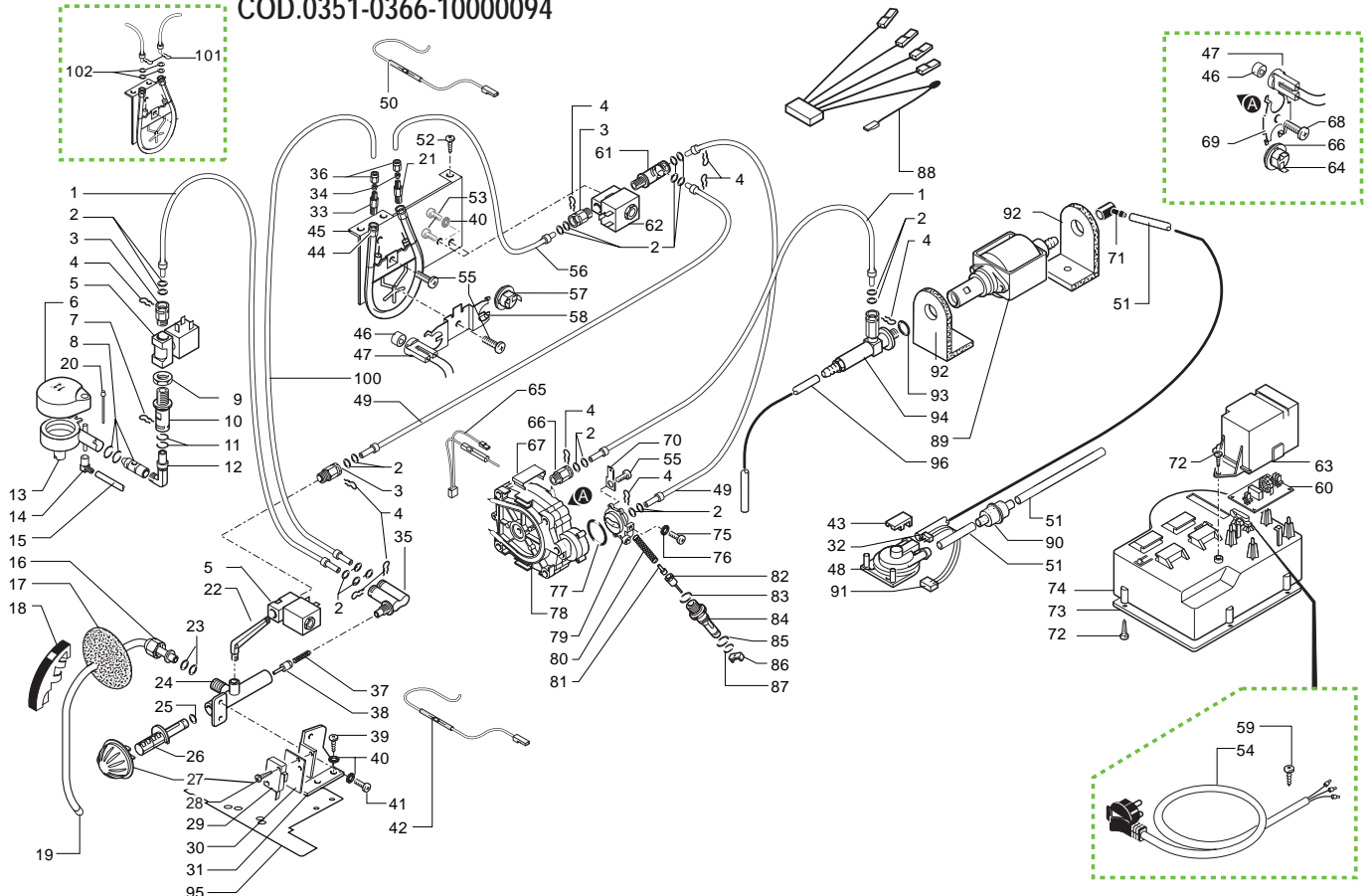
COD.0351-0366-10000094



Ref.	Code	Description	Version
01	9979.A38	TEFLON TUBE ASS. 4X2 L.150 7-7	
02	NM02.028	OR 2015 EPDM FDA	
03	9011.152	BRASS CONNECTOR 1/8" FOR TUBE D=4	
04	9011.144	FORK FOR TUBE D.4	
05	11008828	SOLE.N VALVE OLAB 2 WAY 1/8" FEM.TEA	230V
	11008571	SOLE.N VALVE 15VA 2 WAY 1/8" FEM.TEA	100V
06	0314.018.760	COVER FOR CAPPUCCINATORE BLUE	
	0314.018.710	COVER FOR CAPPUCCINATORE. PAINTED GREY	
07	9161.135	SPRING FOR STEAM FAUCET	
08	142270200	TUBE+W/O RETAIN.CAPPUCCINATORE +20R	
09	U303.002	NUT HEXAGONAL M12X1,25UNI 5589	
10	11008452	TEA/BRASS SUPPORT FOR 90°CONNECTOR	
11	NM02.007	OR 2025 TERMOIL	
12	11008451	TEA/BRASS 90°CONNECT.FOR CAPPUCCIN	
13	142520130	CAPPUCCINATORE AS.NEUTRAL WHITE	
14	9991.122.010	CONN. FOR CAPPUCCINATORE WHITE	
15	9972.045	SILICONE TUBE 3,5X6 L.350 MM	
16	9161.438	NUT FOR STEAM TUBE	
17	9161.058.150	INTERNAL PROTECTION FOR TUBE GREY	
18	9161.055.710	HANDGRIP FOR ST. TUBE GREY	
19	11004225	STAINLESS STEEL STEAM TUBE ROYALASSY.	
20	148870130	WHITE CAPPUCCINATORE PIN	
21	227961803	NIK/BRASS INLET CONNECTOR BOILER	
22	11008453	TEA/BRASS 90°CONNECTOR FOR FAUCET EV.	
23	140324461	OR ORM 0060-20 IN TERMOIL	
24	11009006	TEA/BRASS FAUCET BODY	
25	140321461	OR 2018 IN EPDM	
26	9161.057	STEAM FAUCET ROD	
27	0347.017.710	GREY STEAM KNOB RAL 7021 SERIG.	
28	U109.014	SCREW AUT.TCB 2,9X16 DIN 7981 C	
29	NE05.013	MICROSWITCH	
30	11009072	INSULATE PROTECTION 24X38,8 FOR MICRO	
31	0312.011	STEAM FAUCET BRACKET	
32		PARTICULAR NOT AVAILABLE	SEE PART.N°48
33	227961903	NIK/BRASS CONNECT.FOR TUBE TEFLON 4X2	FROM S/N.362814
34	9161.431	OGIVE BUSH D=4	FROM S/N.362814
35	11008822	TEA/BRASS 90°CONNECT.DOUBLE FAST/LOCK	
36	123460220	BRASS NUT M8X1 FOR TEFLON TUBE D=4	FROM S/N.362814
37	9011.007	SPRING FOR PIN	
38	11009018	TEA/BRASS PISTON L=15,1 ASSY.	
39	U110.013	SCREW AUT.TCB 3,9X6,5 DIN 7981 F	
40	128310404	WASHER UNI 8842 A4 BURNISHED	
41	129823802	TCB SCREW M4X8 UNI 7687 ZNP	
42	0314.810	CABLE 1 WIRE SILIC.WHIT TH/FUSE 192°	
43	9161.018	BRACKET FOR TURBINE	
44	0334.R10.00A	KIT SPARES BLECKMANN BOILER	230V
45	0334.001	NEW SYSTEM BRACKET	

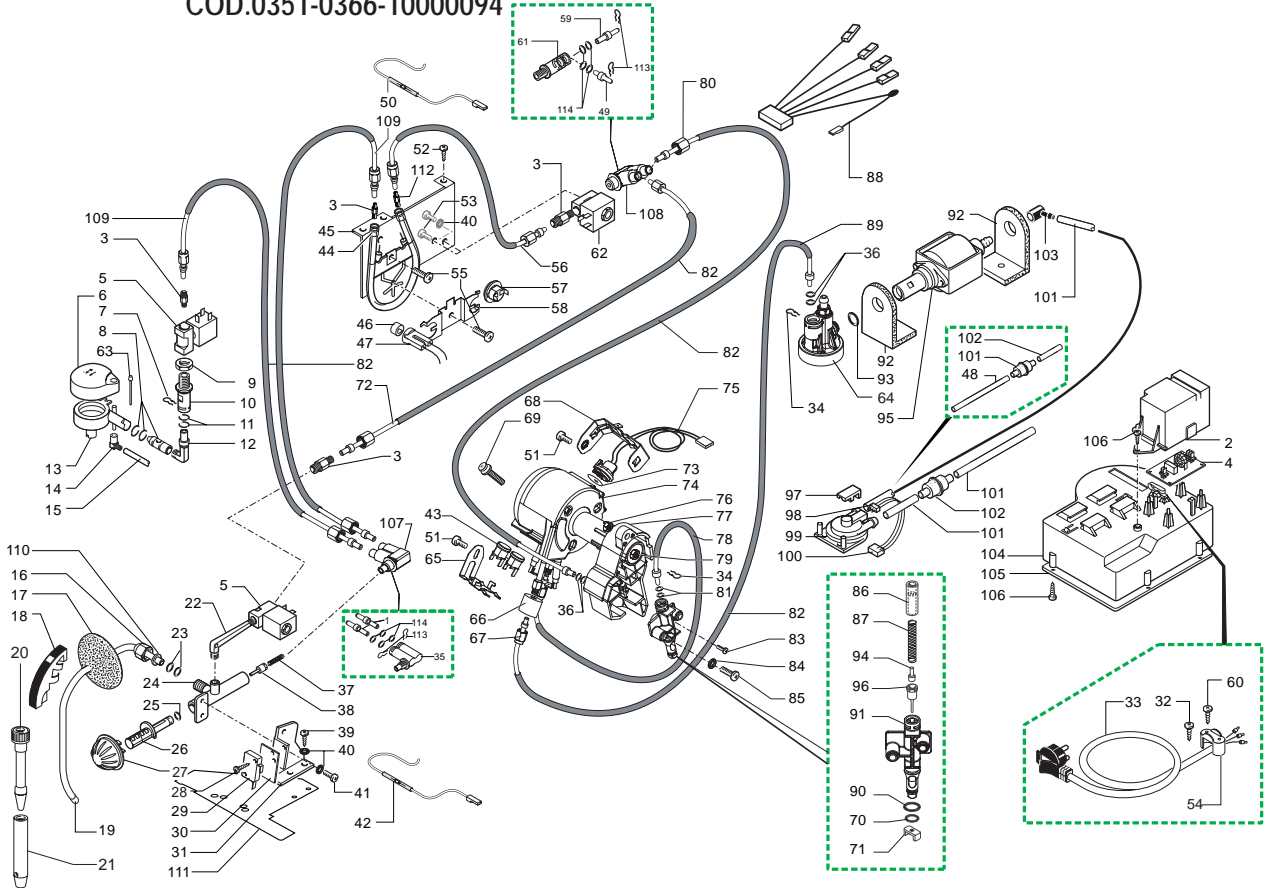
Ref.	Code	Description	Version
46	11004424	ALUM.SPACER FOR PHILIPS SENSOR MAGIC	
47	9019.A65	SENSOR ASS. FOR AUTOMATICA	230V
48	286473300	-M-VDE TURBINE WITH SENSOR KIT	
49	9979.A55	TEFLON TUBE ASS. 4X2 L.260 7-7	
50	0334.822	CABLE 1 WIRE SILIC.WHIT TH/FUSE 216°	
51	9972.022	SILICONE TUBR 5X8 L.2MT	
52	U110.004	SCREW AUT.TCB 3,5X6,5 DIN 7981 F	
53	U043.012	SCREW TCBC M4,0X6 UNI 7687 GALV.	
54	NE01.120	CABLE SCHUKO GREY H05	(B) (D) (F) (ROK)
	NE01.118	CABLE CH H05 GREY 1 MM	(CH)
	NE01.112	CABLE TW 3 POLE GREY 1 MM	120V (RC)
	NE01.114	POWER CABLE AUSTRALIA	(AUS)
	NE01.116	CABLE USA 3P GREY 1 MM	(USA) (BR) (J)
55	U046.003	SCREW TCBC M4,0X12 INDENT. WASH.8	
56	9979.A64	TEFLON TUBE ASS. 4X2 L.280 7-7	UP TO S/N.362813
	9979.A88	TEFLON TUBE ASS. 4X2 L.280 7	FROM S/N.362814
57	NE09.006	THERMOSTAT 170°NC FAST. 90°+WASHER	
58	9011.187	THERMOSTAT RETAINING SPRING	
59	U140.009	PANELVIT TCB 3,0X16 DIN 7505 B GAL	
60	0314.804	FILTRATION CARD 12A	
61	11008823	TEA/BRASS 90°CONNECT.DOUBLE FAST/LOCK	
62	11008573	SOLE.N VALVE 15VA 2W.1/8" FEM.DN3 TEA	230V
63	9161.126.150	COVER FOR FILTER CARD GREY	
	9161.336.150	COVER FOR FILTER CARD GREY UL	
64	NE09.021	THERMOSTAT 150°NC FASTON 90°	
65	0315.806	CABLE 1 WIRE SIL.BLUE JP12 TH/FUSE 192°	
66	9991.085	THERMOSTAT FIXING WASHER	
67	9011.054	SPRING FOR THERMAL FUSE	
68	129828502	TCB SCREW M6X30 UNI 7687 ZNP	
69	9011.034	THERMOSTAT RETAINING SPRING	
70	NE15.026	MALE TONGUE 45° 6,3 D.5,2	
71	147920150	90°CONNECTOR PUMP INLET	
72	129670202	TCB PANELVIT SCREW 3,5X16 TESTAD=8 ZNP	
73	0301.055.150	LID FOR POWER CABLE CONT. GREY	
74	0301.056.150	POWER CABLE CONT. VDE GREY	
75	U043.021	SCREW TCBC M5,0X8 UNI 7687 GALV.	
76	U208.003	TOOTHED WASHER 5,1X9 BRU	
77	NM01.022	OR 2106 SILICONE	
78	9019.A61.00A	BOILER CASINGS ASS. PROFESS.	230V
79	9011.165	BOILER SUPPORT WITH TUBE CONN. D.4	
80	9011.132	SPRING FOR PIN	
81	11009013	TEA/BRASS PIN FOR PISTON L=10	
82	11009019	TEA/BRASS PISTON L=20,9 ASSY.	
83	NM01.008	OR ORM 0080-20 SILICONE	
84	9011.100	PEG FOR VALVE IN PLASTIC	
85	NM01.035	OR ORM 0090-20 SILICONE	

COD.0351-0366-10000094



Ref.	Code	Description	Version	Ref.	Code	Description	Version
86	9011.099	M CURSOR FOR BOILER VALVE IN PLASTIC					
87	NM01.057	OR ORM 0050-20 SILICONE					
88	0334.803	CONN.ASS. 5POLE					
	0334.810	CONN.ASS. 5POLE UL					
89	12000140	ULKA PUMP EP5/S GW	230V-50HZ				
	12000132	ULKA PUMP EP5/S GW	220V-50/60HZ				
90	144650300	SUCTION FILTER GAUZE NET 500 (NEW					
91	0314.815	CONNECTOR ASS. 3POLE TURBINE PROF.					
92	149185850	SUPPORT FOR EATON PUMP					
93	140321961	OR 2031 IN TERMOIL					
94	9079.A27	SAFETY VALVE ASS.FAST/LOCK UNIVERS					
95	11000839	BLACK CLOSURE PLATE					
	9010.R06.00A	KIT SPARES 9010.042.00A					
100	9979.A38	TEFLON TUBE ASS. 4X2 L.150 7-7	UP TO S/N.362813				
	9979.A50	TEFLON TUBE ASS. 4X2 L.150 7	FROM S/N.362814				
101	9011.144	FORK FOR TUBE D.4	UP TO S/N.362813				
102	NM02.028	OR 2015 EPDM FDA	UP TO S/N.362813				

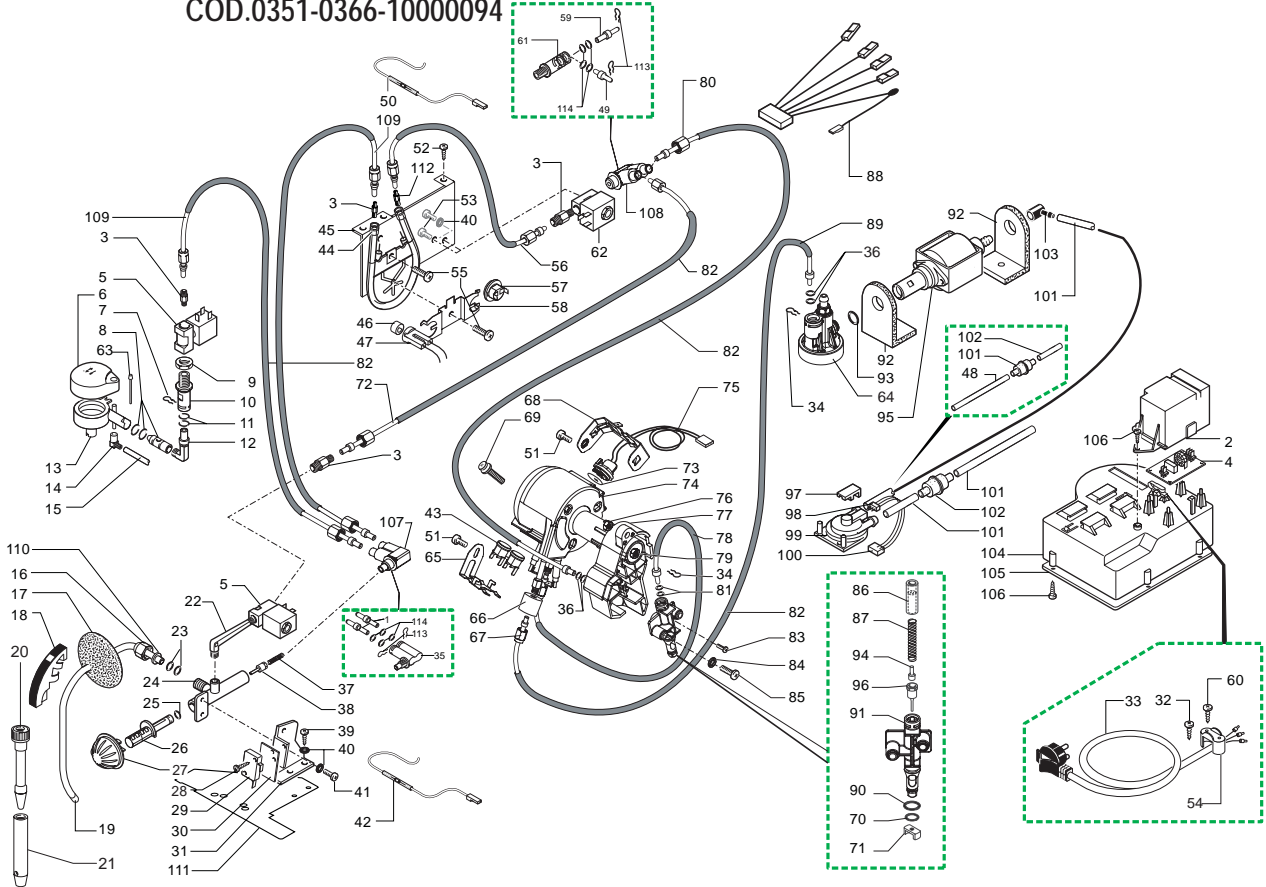
COD.0351-0366-10000094



Ref.	Code	Description	Version
01	9979.B42	TEFLON ASS. TUBE 4X2 L.140 7	UP TO S/N. 9005ROY053648
02	9161.126.150	COVER FOR FILTER CARD GREY	
	9161.336.150	COVER FOR FILTER CARD GREY UL	(USA)
03	11009009	TEA/BRASS CONNECTOR FOR TUBE TEFLON 4X2	
04	0314.804	FILTRATION CARD 12A	
	0301.828.00F	FILTRATION CARD SUPERAUTOM. 120V	120V (USA) (RC) (J)
05	11008569	SOLE.N.VALVE 15VA 2 WAY 1/8" FEM.TEA	230V/240
	11008570	SOLE.N.VALVE 15VA 2 WAY 1/8" FEM.TEA	120V (USA) (RC)
	11008571	SOLE.N.VALVE 15VA 2 WAY 1/8" FEM.TEA	100V (J)
06	0314.018.760	COVER FOR CAPPUCCINATORE BLUE	
	0314.018.710	COVER FOR CAPPUCCINATORE PAINTED GREY	
07	9161.135	SPRING FOR STEAM FAUCET	
08	142270200	TUBE+W/O RETAIN.CAPPUCCINATORE +20R	
09	U303.002	NUT HEXAGONAL M12X1,25UNI 5589	
10	11008452	TEA/BRASS SUPPORT FOR 90°CONNECT.	
11	NM02.007	OR 2025 TERMOIL	
12	11008451	TEA/BRASS 90°CONNECT.FOR CAPPUCCIN	
13	142520130	CAPPUCCINATORE AS.NEUTRAL WHITE	
14	9991.122.010	CONN. FOR CAPPUCCINATORE WHITE	
15	9972.045	SILICONE TUBE 3,5X6 L.350 MM	
16	9161.438	NUT FOR STEAM TUBE	
17	9161.058.150	INTERNAL PROTECTION FOR TUBE GREY	
18	9161.055.710	HANDGRIP FOR ST. TUBE GREY	
19	11004225	STAINLESS STEEL STEAM TUBE ROYAL ASSY.	
20	9990.005.050	PANNARELLO ASS.MIELE BLACK	(J)
21	9991.153	EXTERNAL COVER PANNAREL.CHROMED	(J)
22	11008453	TEA/BRASS 90°CONNECTOR FOR FAUCET EV.	
23	140324461	OR ORM 0060-20 IN TERMOIL	
24	11009006	TEA/BRASS FAUCET BODY	
25	140321461	OR 2018 IN EPDM	
26	9161.057	STEAM FAUCET ROD	
27	0347.017.710	GREY STEAM KNOB RAL 7021 SERIG.	
28	U109.014	SCREW AUT.TCB 2,9X16 DIN 7981 C	
29	NE05.013	MICROSWITCH	
30	11009072	INSULATE PROTECTION 24X38,8 FOR MICRO	
31	0312.011	STEAM FAUCET BRACKET	
32	U140.009	PANELVIT TCB 3,0X16 DIN 7505 B GAL	
33	NE01.120	CABLE SCHUKO GREY H05	(B) (D) (F) (ROK)
	NE01.118	CABLE CH H05 GREY 1 MM	(CH) (RC)
	NE01.112	CABLE TW 3 POLE GREY 1 MM	120V
	NE01.114	POWER CABLE AUSTRALIA	(AUS)
	NE01.116	CABLE USA 3P GREY 1 MM	(USA) (BR) (J)
	11000533	POWER CABLE ARGENTINA GREY L=1500MM	
34	9011.144	FORK FOR TUBE D.4	
35	9161.301	BRASS 90°CONNECT.DOUBLE FAST/LOCK	UP TO S/N.9005ROY0536489
36	140328059	OR 2015 IN SILICONE PTFE/FDA	
37	126765317	STEEL SPRING BOILER PISTON MAGIC	

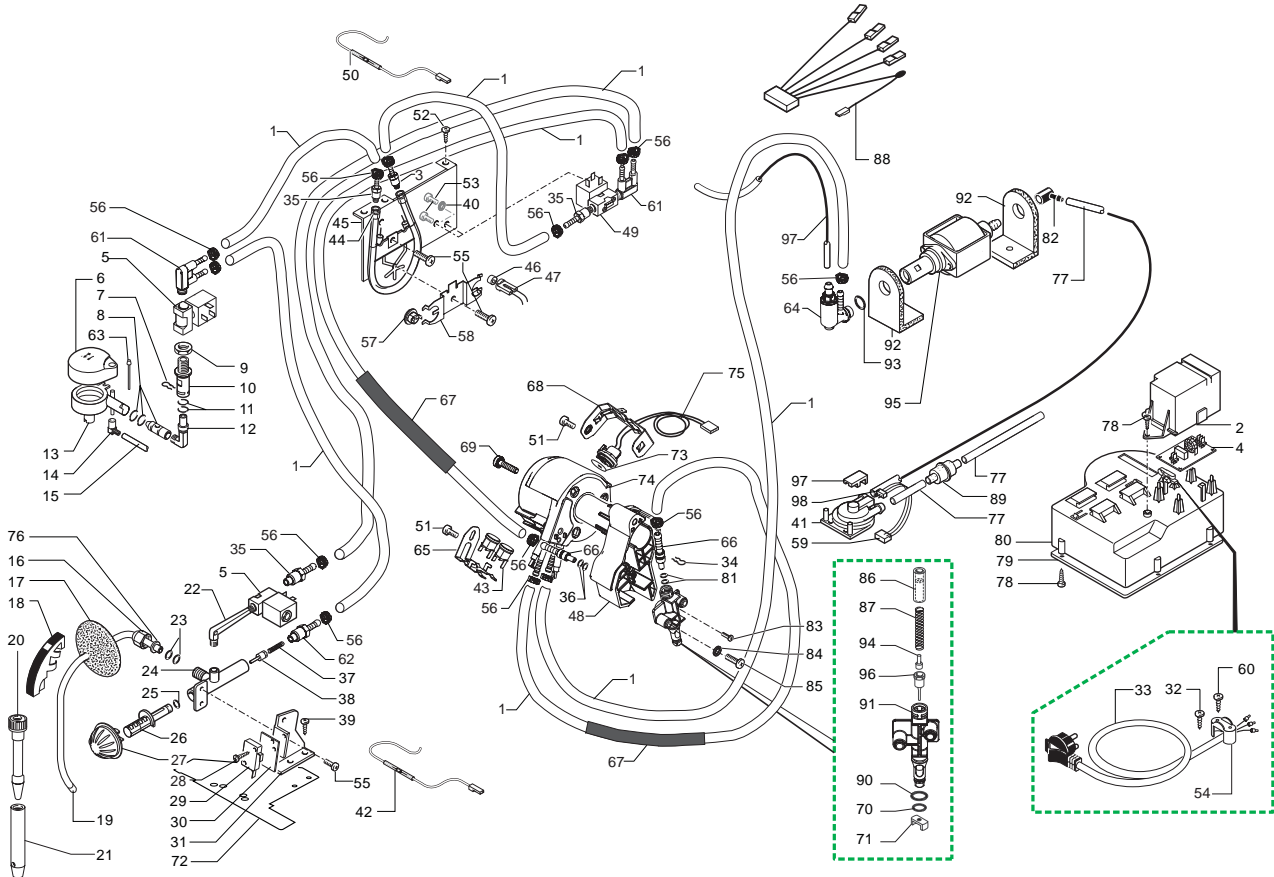
Ref.	Code	Description	Version
38	11009018	TEA/BRASS PISTON L=15,1 ASSY.	
39	U110.013	SCREW AUT.TCB 3,9X6,5 DIN 7981 F	
40	128310404	WASHER UNI 8842 A4 BURNISHED	
41	129823802	TCB SCREW M4X8 UNI 7687 ZNP	
42	0354.809	CABLE 1 WIRE SILIC.BLUE TH/FUSE 192°	
43	189428200	THERMOSTAT 175° INT-08L-3794	
44	9010.142.00A	BOILER ASS. PROFESSIONAL INOX 230V	UP TO S/N.9005ROY0536489
	9010.142.00F	BOILER ASS. PROFESSIONAL INOX 100V	UP TO S/N.9005ROY0536489
	9010.142.00R	BOILER ASS. PROFESSIONAL INOX 100V	UP TO S/N.9005ROY0536489
	9010.150.00A	BLECKMANN BOILER PROFESSIONAL 230V ASSY.	FROM S/N.9005ROY0536490
	9010.150.00F	BLECKMANN BOILER PROFESSIONAL 120V ASSY.	FROM S/N.9005ROY0536490
	9010.150.00R	BLECKMANN BOILER PROFESSIONAL 100V ASSY.	FROM S/N.9005ROY0536490
45	0334.001	NEW SYSTEM BRACKET	
46	11004424	ALUM.SPACER FOR PHILIPS SENSOR MAGIC	
47	9019.A72	SENSOR ASS. ROYAL	230V
	9019.A73	SENSOR ASS. ROYAL	120V UL (USA) (RC) (J)
48	9972.166	SILICONE TUBE 5X10 60SH L=200MM	
49	227875100	CONNECTOR AS.TEFLON 2X4 L=275 MM	UP TO S/N.9005ROY0536489
50	0334.822	CABLE 1 WIRE SILIC.WHITE TH/FUSE 216°	
	0334.823	CABLE 1 WIRE SIL.WHITE AWG16 TH/FUSE 216°	(USA) (RC)
51	129573202	SCREW TCB PH/TT 4X8 UNI 8112 ZNP	
52	U110.004	SCREW AUT.TCB 3,5X6,5 DIN 7981 F	
53	U043.012	SCREW TCBC M4,0X6 UNI 7687 GALV.	
54	9991.039	CABLE RETAINER UL	(USA) (J)
55	U046.003	SCREW TCBC M4,0X12 INDENT. WASH.8	
56	9979.B47	TEFLON ASS. TUBE 4X2 L.320 OG-OG	
57	NE09.006	THERMOSTAT 170°NC FAST. 90°+WASHER	
58	9011.187	THERMOSTAT RETAINING SPRING	
59	9979.A73	TEFLON ASS. TUBE 4X2 L.280 7-7	UP TO S/N.9005ROY0536489
60	U109.005	SCREW AUT.TCB 3,5X16 DIN 7981 C	(USA) (J)
61	227901103	NIK/BRASS 90°CONNECT.DOUBLE FAST/LOCK	UP TO S/N.9005ROY0536489
62	11008573	SOLE.N.VALVE 15VA 2W.1/8" FEM.DN3 TEA	230V
	11008574	SOLE.N.VALVE 15VA 2W.1/8" FEM.DN3 TEA	120V (USA) (RC)
	11008575	SOLE.N.VALVE 15VA 2W.1/8" FEM.DN3 TEA	100V (J)
63	148870130	WHITE CAPPUCCINATORE PIN	
64	229452100	COMPENSATION AND SAFETY VALVE 16BAR ASSY	
65	126838117	2 THERMOSTATS FIXING SPRING	
66	147756562	PROTECT. FOR FOLK SPRING TUBE D=4	
67	227876200	CONNECTOR AS.TEFLON 2X4 L=200 MM	
68	126838017	SENSOR FIXING SPRING	
69	129932202	ROUND HEAD SCREW 10,9 M5X20 GALV	
70	NM01.057	OR ORM 0050-20 SILICONE	
71	9011.099	M CURSOR FOR BOILER VALVE IN PLASTIC	
72	9979.B43	TEFLON ASS. TUBE 4X2 L.280 OG-OGA	FROM S/N.9005ROY0536490
73	145951600	ELECTRIC INSULATING DISK D=16	
	282058858	ALUM.BOILER WITH RESISTANCE	230V -1100W
74	282058855	ALU.BOILER WITH RESISTANCE	120V -1100W

COD.0351-0366-10000094



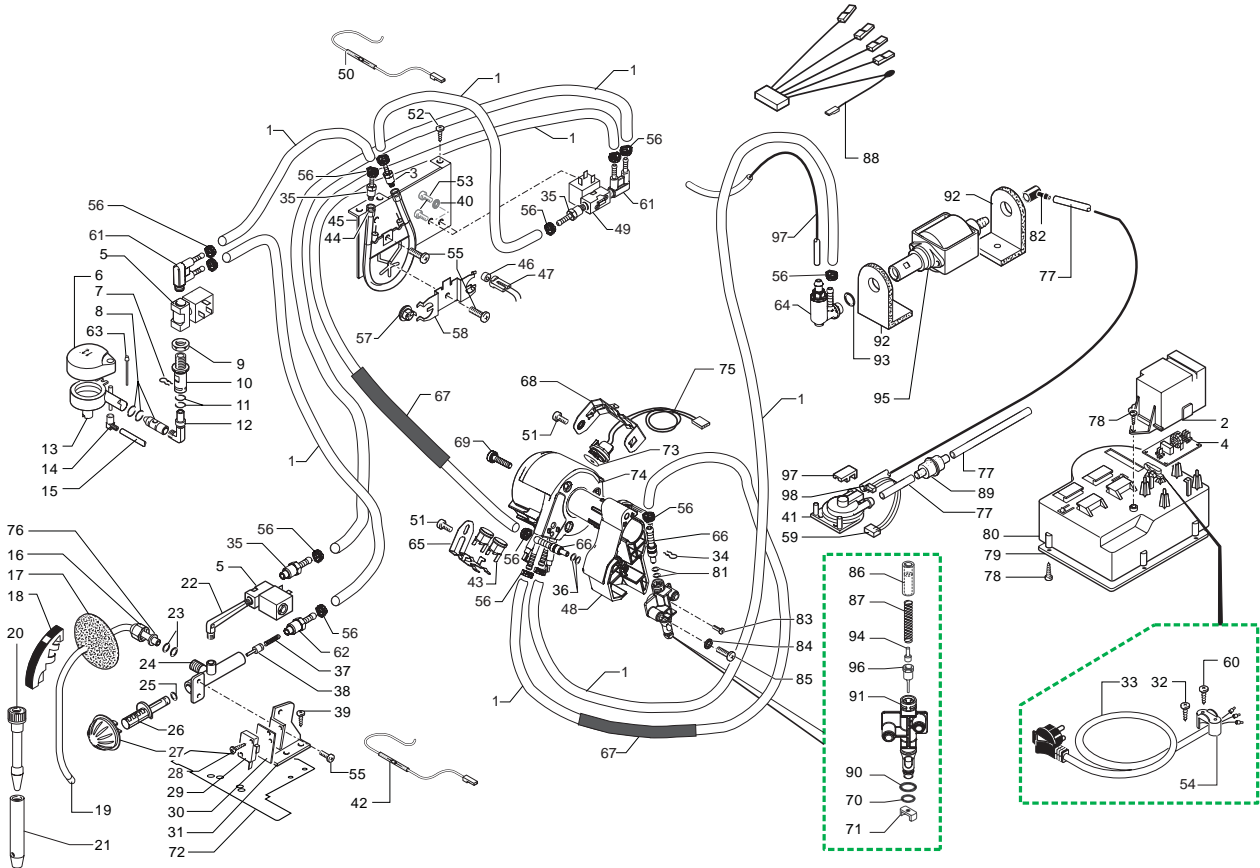
Ref.	Code	Description	Version
74	282058854	ALUM. BOILER WITH RESISTANCE	100V -1100W
75	288582300	SENSOR ELECTBOARD WITH CONNECT. ASSY.	
76	U310.003	NUT SELF LOCK. M5 UNI 7473	
77	9161.435	TUBOL. BOILER SUPPORT FOR SUPERAUT.	
78	9979.B27	TEFLON ASS. TUBE 2X4 L.280	
79	123453902	SELF-LOCKI. NUT M5X0,8 DIN 980 CLA.8	
80	9979.B29	TEFLON ASS. TUBE 2X4 L.280	FROM S/N.9005ROY0536490
81	140326662	OR METRIC 0040-20 IN SILICONE	
82	9972.150	BLACK SILICONE TUBE 7,5X9,3 L=210 MM	
83	U140.004	PANELVIT TCB 3,0X12 DIN 7505 B GAL	
84	128310521	WASHER UNI 8842 A5 SS	
85	U043.030	SCREW TCBC M5,0X30 UNI 7687 GALV.	
86	11009012	TEA/BRASS BUSH PIN BOILER	
87	9011.132	SPRING FOR PIN	
88	0334.803	CONN. ASS. 5POLE	
	0334.810	CONN. ASS. 5POLE UL	
89	9979.A38	TEFLON TUBE ASS. 4X2 L.150 7-7	
90	NM01.035	OR ORM 0090-20 SILICONE	
91	9161.434	BOILER PIN	
92	149185850	SUPPORT FOR EATON PUMP	
93	140321961	OR 2031 IN TERMOIL	
94	11009013	TEA/BRASS PIN FOR PISTON L=10	
95	12000140	ULKA PUMP EP5/S GW	230V-50HZ
	12000131	ULKA PUMP EP5/S	120V-60HZ
	12000132	ULKA PUMP EP5/S GW	220V-50/60HZ
	12000130	ULKA PUMP EP5/S GW	100V-50/60HZ
96	11009019	TEA/BRASS PISTON L=20,9 ASSY.	
97	9161.018	BRACKET FOR TURBINE	
98		PARTICULAR NOT AVAILABLE	SEE PART.N°99
99	286473300	-M-VDE TURBINE WITH SENSOR KIT	WITH PART.N°98
100	0347.817	CONN. ASS. 3 POLE	
	0348.808	CONNECTOR ASS. 3POLE	
101	9972.022	SILICONE TUBR 5X8 L.2MT	
102	144650300	SUCTION FILTER GAUZE NET 500 (NEW)	
103	147920150	90° CONNECTOR PUMP INLET	
104	0301.056.150	POWER CABLE CONT. VDE GREY	
	0335.008.150	POWER SUPPLY CABLE GREY UL	
105	0301.055.150	LID FOR POWER CABLE CONT. GREY	
106	129670202	TCB PANELVIT SCREW 3,5X16 TESTAD-8 ZNP	
107	11008584	TEA/BRASS 90° DOUBLE CONNECTOR	FROM S/N.9005ROY0536490
108	11008586	TEA/BRASS 90° DOUBLE CONNECTOR	FROM S/N.9005ROY0536490
109	9979.B52	TEFLON ASS. TUBE 4X2 L.160	
110	9161.440	SCRAPER	
111	11000839	BLACK CLOSURE PLATE	
112	11009010	TEA/BRASS INLET CONNECTOR BOILER	
113	9011.144	FORK FOR TUBE D.4	UP TO S/N.9005ROY0536489

Ref.	Code	Description	Version
114	140329059	OR 2015 IN SILICONE PTFE/FDA	UP TO S/N.9005ROY0536489
	9010.149.00F	BOILER PROFESSIONAL ASSY.	120V
	9010.149.00R	BOILER PROFESSIONAL ASSY.	100V
	9010.149.00A	BOILER PROFESSIONAL ASSY	230V.

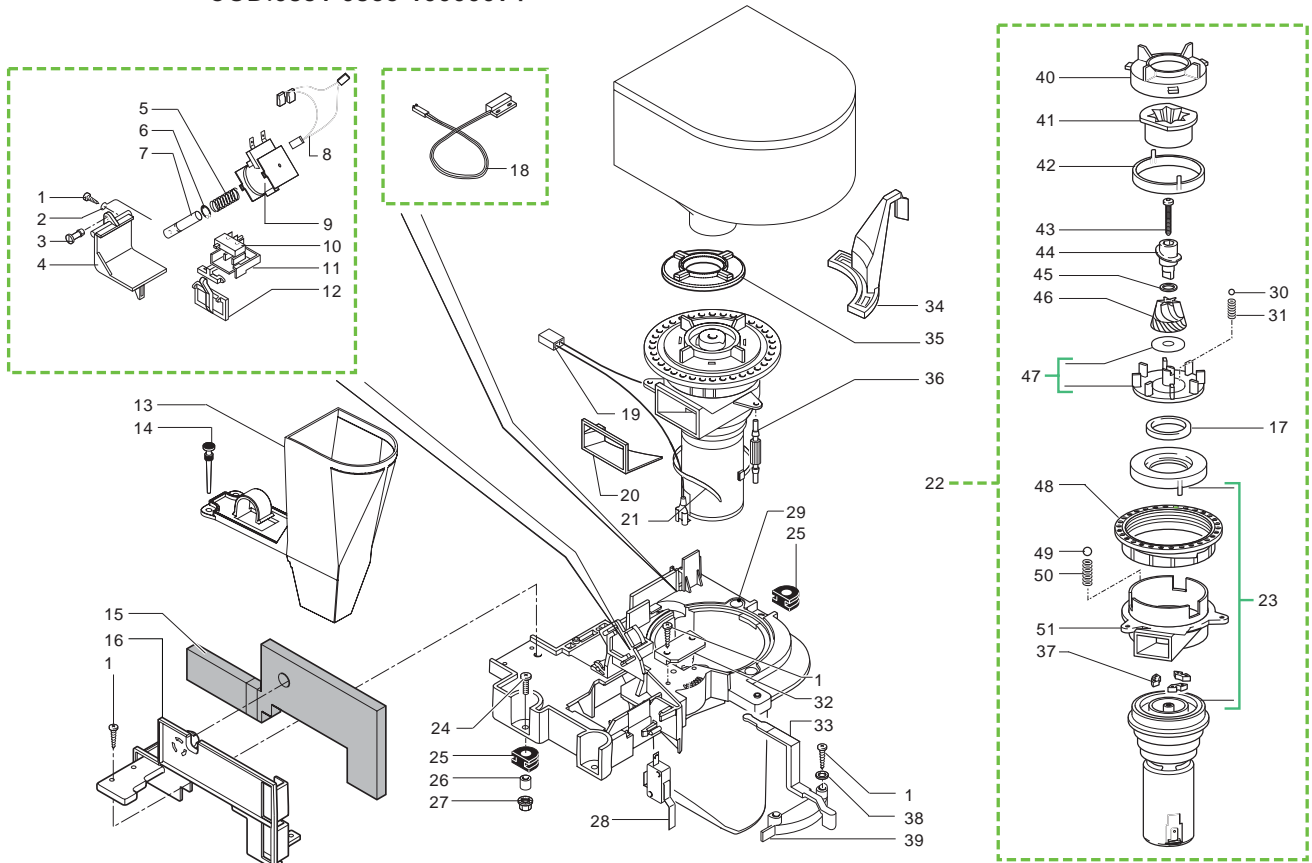


Ref.	Code	Description	Version
01	16000380	5X8,9 SILICONE TUBE	IN ROLL
02	9161.126.150	COVER FOR FILTER CARD GREY	
	9161.336.150	COVER FOR FILTER CARD GREY UL	(USA)
03	11010261	TEA/BRASS INLET CONNECTOR BOILER	
04	0314.804	FILTRATION CARD 12A	230V
	0301.828.00F	FILTRATION CARD SUPERAUTOM.	120V (USA) (RC) (J)
05	11008569	SOLE.N.VALVE 15VA 2 WAY 1/8" FEM.TEA	230V/240V
	11008570	SOLE.N.VALVE 15VA 2 WAY 1/8" FEM.TEA	120V (USA) (RC)
	11008571	SOLE.N.VALVE 15VA 2 WAY 1/8" FEM.TEA	100V (J)
06	0314.018.760	COVER FOR CAPPUCCINATORE BLUE	
	0314.018.710	COVER FOR CAPPUCCINATORE PAINTED GREY	
07	9161.135	SPRING FOR STEAM FAUCET	
08	142270200	TUBE+W/O RETAIN.CAPPUCCINATORE +20R	
09	U303.002	NUT HEXAGONAL M12X1,25UNI 5589	
10	11008452	TEA/BRASS SUPPORT FOR 90°CONNECTOR	
11	NM02.007	OR 2025 TERMOIL	
12	11008451	TEA/BRASS 90°CONNECTFOR CAPPUCCIN.	
13	142520130	CAPPUCCINATORE AS.NEUTRAL WHITE	
14	9991.122.010	CONN. FOR CAPPUCCINATORE WHITE	
15	9972.045	SILICONE TUBE 3,5X6 L.350 MM	
16	9161.438	NUT FOR STEAM TUBE	
17	9161.058.150	INTERNAL PROTECTION FOR TUBE GREY	
18	9161.055.710	HANDGRIP FOR ST. TUBE GREY	
19	11004225	STAINLESS STEEL STEAM TUBE ROYALASSY.	
20	9990.005.050	PANNARELLO ASS.MIELE BLACK	(J)
21	9991.153	EXTERNAL COVER PANNAREL.CHROMED	(J)
22	11008453	TEA/BRASS 90°CONNECTOR FOR FAUCET EV.	
23	140324461	OR ORM 0060-20 IN TERMOIL	
24	11009006	TEA/BRASS FAUCET BODY	
25	140321461	OR 2018 IN EPDM	
26	9161.057	STEAM FAUCET ROD	
27	0347.017.710	GREY STEAM KNOB RAL 7021 SERIG.	
28	U109.027	SCREW TCB TORX 10 2,9X19 SHEET SS	
29	NE05.013	MICROSWITCH	
30	11009072	INSULATE PROTECTION 24X38,8 FOR MICRO	
31	0312.011	STEAM FAUCET BRACKET	
32	U140.009	PANELVIT TCB 3,0X16 DIN 7505 B GAL	
33	NE01.120	CABLE SCHUKO GREY H05	(B) (D) (F) (ROK)
	NE01.118	CABLE CH H05 GREY 1 MM	(CH) (RC)
	NE01.112	CABLE TW 3 POLE GREY 1 MM	120V
	NE01.114	POWER CABLE AUSTRALIA	(AUS)
	NE01.116	CABLE USA 3P BLACK 1 MM	(USA) (BR) (J)
	11000533	POWER CABLE ARGENTINA GREY L=1500MM	
34	9011.144	FORK FOR TUBE D.4	
35	11006304	TEA/BRASS CONNECT. FOR ALUM. BOILER	
36	140328059	OR 2015 IN SILICONE PTFE/FDA	
37	126765317	STEEL SPRING BOILER PISTON MAGIC	

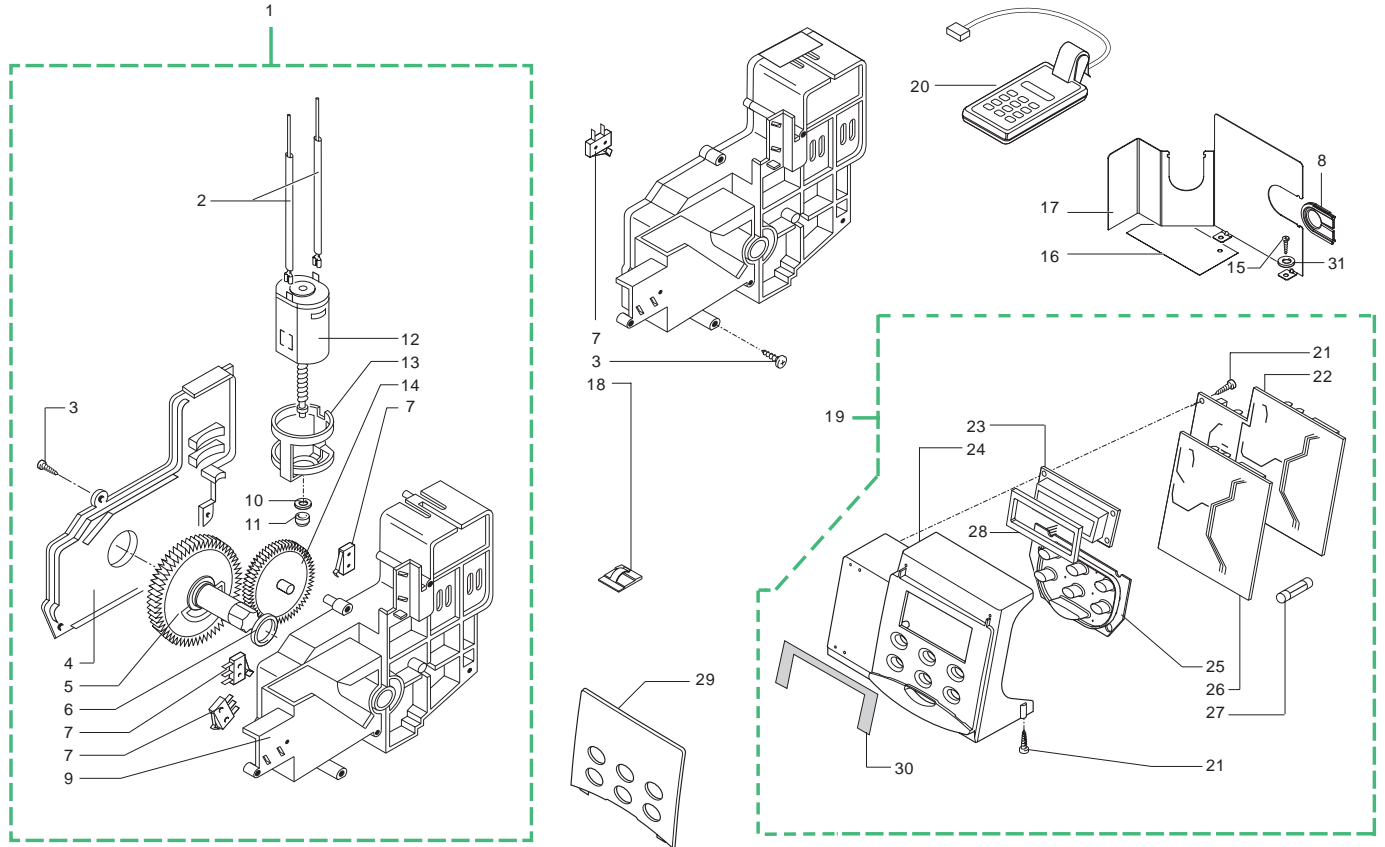
Ref.	Code	Description	Version
38	11009018	TEA/BRASS PISTON L=15,1 ASSY.	
39	U110.013	SCREW AUT.TCB 3,9X6,5 DIN 7981 F	
40	128310404	WASHER UNI 8842 A4 BURNISHED	
41	286473300	-M-VDE TURBINE WITH SENSOR KIT	WITH PART. N°98
42	0354.809	CABLE 1WIRE SILIC.BLUE TH/FUSE 192°	
43	189428200	THERMOSTAT 175° INT-08L-3794	
44	11010390	BLECKMANN BOILER V2 PROFESS.ASSY.	230V
	11010391	BLECKMANN BOILER V2 PROFESS.ASSY.	120V
	11010392	BLECKMANN BOILER V2 PROFESS.ASSY.	100V
45	0334.001	NEW SYSTEM BRACKET	
46	11004424	ALUM.SPACER FOR PHILIPS SENSOR MAGIC	
47	9019.A72	SENSOR ASS. ROYAL	230V
	9019.A73	SENSOR ASS. ROYAL	120V UL (USA) (RC) (J)
48	11010338	TUBOL BOILER SUPPORT V2 FOR ROYAL	
49	11008573	SOLE.N.VALVE 15VA 2W.1/8"FEM.DN3 TEA	230V/240V
	11008574	SOLE.N.VALVE 15VA 2W.1/8"FEM.DN3 TEA	120V (USA) (RC)
	11008575	SOLE.N.VALVE 15VA 2W.1/8"FEM.DN3 TEA	100V (J)
50	0334.822	CABLE 1 WIRE SILIC.WHITE TH/FUSE 216°	
	0334.823	CABLE 1WIRE SIL.WHITAWG16 TH/FUSE 216°	(USA) (RC)
51	129573202	SCREW TCB TORX 20M4X8 AUTOFORM.ZN-B	
52	U110.004	SCREW AUT.TCB 3,5X6,5 DIN 7981 F	
53	U043.012	SCREW TCB TORX 20 M4X6 ZN-B	
54	9991.039	CABLE RETAINER UL	
55	U046.003	SCREW TCB TORX 20 M4X12 ZN-B	
56	12000892	OETIKER CLAMP D=9,5 16700004	
57	NE09.006	THERMOSTAT 170°NC FAST. 90°+WASHER	
58	9011.187	THERMOSTAT RETAINING SPRING	
59	0347.817	CONN. ASS. 3 POLE	
59	0348.808	CONNECTOR ASS. 3POLE	
60	U109.005	SCREW AUT.TCB 3,5X16 DIN 7981 C	(USA) (J)
61	11010243	TEA/BRASS 90° DOUBLE CONNECTOR	
62	11011243	TEA/BRASS CONNECTOR FOR FAUCET	
63	148870130	WHITE CAPPUCCINATORE PIN	
64	11010166	SAFETY VALVE 16-18 BAR V2 P0049 ASSY.	
65	126838117	2 THERMOSTAT'S FIXING SPRING	
66	11000750	TEA/BRASS CONNECT.FOR SILICONE TUBE	
67	16000540	TRANSPAR.10,5X12,3 SILICONE TUBE	IN ROLL
68	126838017	SENSOR FIXING SPRING	
69	129932202	ROUND HEAD SCREW 10,9 M5X20 GALV	
70	NM01.057	OR ORM 0050-20 SILICONE	
71	9011.099	M CURSOR FOR BOILER VALVE IN PLASTIC	
72	11000839	BLACK CLOSURE PLATE	
73	145951600	ELECTRIC INSULATING DISK D=16	
74	11004667	ALUM.BOILER WITH RESISTANCE	230V-1100W
	11004669	ALUM.BOILER W/RESISTANCE	120V-1100W
	11004668	ALUM.BOILER WITH RESISTANCE	100V-1100W
75	288582300	SENSOR ELECTBOARD WITH CONNECT.ASSY.	



Ref.	Code	Description	Version	Ref.	Code	Description	Version
76	9161.444	SPACER					
77	JS01.022	SILICONE TUBE 5X10 60 SHORE	IN ROLL				
78	129670202	TCB PANELVIT SCREW 3,5X16 TESTAD=8 ZNP					
79	0301.055.150	LID FOR POWER CABLE CONT. GREY					
80	0301.056.150	POWER CABLE CONT. VDE GREY					
	0335.008.150	POWER SUPPLY CABLE GREY UL					
81	140326662	OR METRIC 0040-20 IN SILICONE					
82	147920150	90° INLET CONNECTOR PUMP					
83	U140.004	PANELVIT TCB 3,0X12 DIN 7505 B GAL					
84	128310521	WASHER UNI 8842 A5 SS					
85	U043.030	SCREW TCBC M5,0X30 UNI 7687 GALV.					
86	11009012	TEA/BRASS BUSH PIN BOILER					
87	9011.132	SPRING FOR PIN					
88	0334.803	CONN.ASS. 5POLE					
	0334.810	CONN.ASS. 5POLE UL					
89	144650300	SUCTION FILTER GAUZE NET 500 (NEW)					
90	NM01.035	OR ORM 0090-20 SILICONE					
91	9161.434	BOILER PIN					
92	149185850	EATON PUMP SUPPORT MAGIC 4002012					
93	140321961	OR 2031 IN TERMOIL					
94	11009013	TEA/BRASS PIN FOR PISTON L=10					
95	12000140	ULKA PUMP EP5/S GW	230V-50HZ				
	12000131	ULKA PUMP EP5/S	120V-60HZ				
	12000132	ULKA PUMP EP5/S GW	220V-50/60HZ				
	12000130	ULKA PUMP EP5/S GW	100V-50/60HZ				
96	11009019	TEA/BRASS PISTON L=20,9 ASSY.					
97	9161.018	BRACKET FOR TURBINE					
98		PARTICULAR NOT AVAILABLE	SEE PART.N°99				
	11010379	BOILER V2 PROFESSIONAL 230V ASSY.	COMPLETE				
	11010324	BOILER V2 PROFESSIONAL 120V ASSY.	COMPLETE				
	11010325	BOILER V2 PROFESSIONAL 100V ASSY.	COMPLETE				

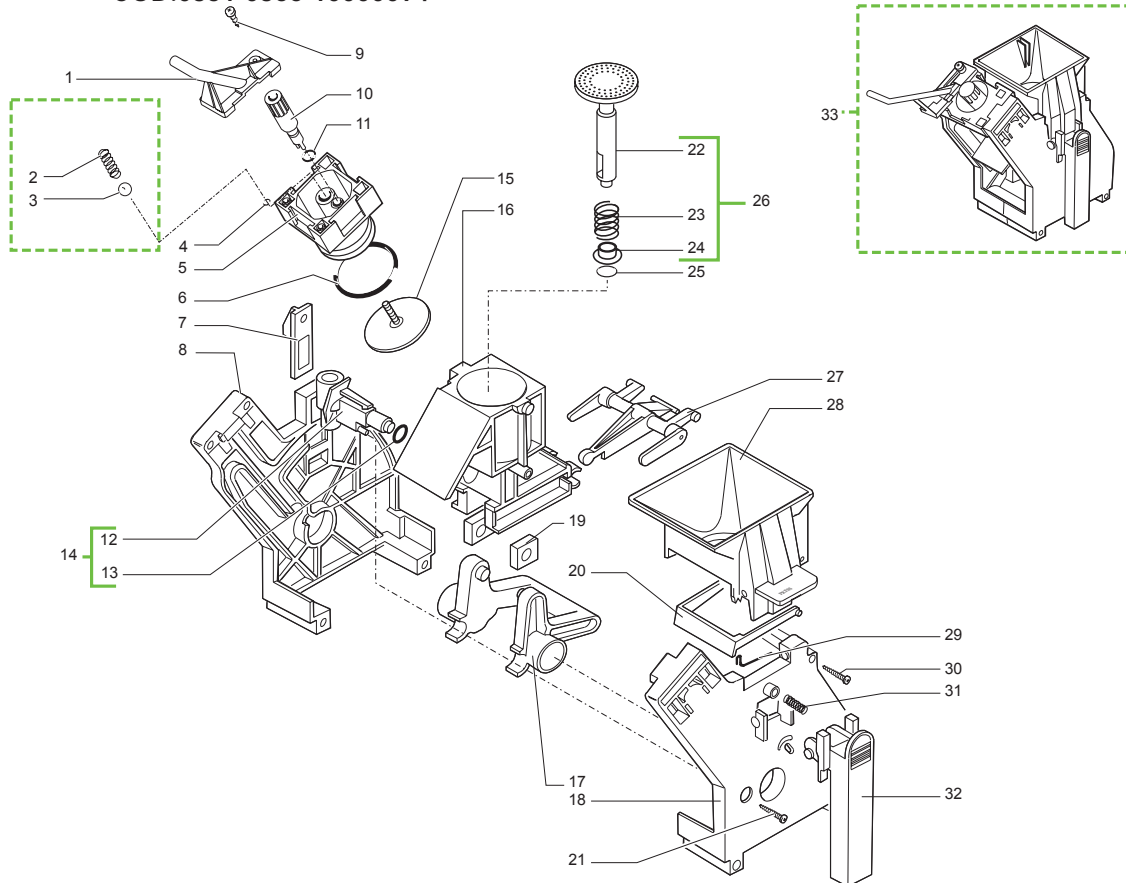


Ref.	Code	Description	Version	Ref.	Code	Description	Version
01	129913902	SCREW TCB TORX 10 3X12 PLAST.ZN-B		39	9161.403.150	DOSE ADJUST. SCALE GREY RAL 7016	
02	9161.048	SCRAPER ROD		40	149186150	BLACK UPPER GRINDER SUPPORT MAGIC	
03	9161.076.150	DOSER DOOR PIN GREY		41		PARTICULAR NOT AVAILABLE	SEE PART.N°46
04	9161.074.150	DOSER DOOR GREY		42	142844550	UPPER GRINDER COVER COFFEE GRIND. MAGIC	
05	126764818	SPRING ELECTROM.BEAN DOSER MAGIC		43	129931002	TORX SCREW T10 TCB 3,5X40 SX ZNG	
06	U701.003	SNAP RING 7 UNI 7434		44	147470763	INCREASE SCREW PIN COFFEE GRINDER MAGIC	
07	9161.041	DOSER ELECTROMAGNET CORE		45	U201.002	PLAIN WASHER 10X16X0,2DIN 988 GAL	
08	0301.866	CONNECTOR ASS. 2 POLE DOSER COIL		46	226477700	KIT ITAL MILL GRINDERS	WITH PART.N°41
09	9129.A21.00A	WHOLE COIL X SUPERAUT.	230V	47	149188750	CONICAL GRIND. SUPP. + RING MAGIC	
	9129.A07.00H	COFFEE DOSER COIL ASS.	240V WITH ALUM.BOILER	48	146570950	RING NUT FOR GRINDING ADJUST MAGIC	
	9129.A07.00F	COFFEE DOSER COIL ASS.	120V	49	128610421	STAIL.STEEL AISI 304 SPHERE D=3,2MM	
10	NE05.017	MICROSWITCH		50	126770117	NEW SPRING SPHERE D=3,2 MOTOR MAGIC	
11	9161.072.150	MICRO SUPPORT CURSOR GREY		51	9141.080	MOTOR SUPPORT	
12	9161.073.150	DOSE CONTROL COMPENSATOR GREY					
13	9161.223.150	COMPL.HOPP.FOR POWDER COFFEE GRE.					
14	9161.082	RUBBER COUPLER					
15	9161.382	INSULATOR FOR COFFEE GRINDER					
16	9161.366.150	GREY/7016 SUPPORT FOR INSULATOR					
17	140360200	FELT RING 40X34X5					
18	0301.811	CONNECTOR 2 POLES LEVEL ASSY.					
	0317.829	CONN. ASS. 2 POLE LEVEL UL					
19	0301.869	CONNECTOR ASS. 2 POLE COFFEEGRINDE					
	0301.868	CONNECTOR ASS. 2 POLE COFFEEGRINDE					
20	1505.014	COFFEEGRINDER SEAL					
21	144320200	SELF LOCK STRIP L=200MM					
22	9140.036.00A	STANDARD COFFEE GRINDER	230V				
	9140.035.00A	STANDARD COFFEE GRINDER ITA	230V				
	9140.036.00F	STANDARD COFFEE GRINDER	120V				
	9140.036.00R	STANDARD COFFEE GRINDER	100V				
23	0301.R10.00A	SPARE MOTOR UNIT MC	230V				
	1501.R09.00F	MOTOR SPARE UNIT	120V				
	1501.R09.00R	MOTOR SPARE UNIT	100V				
24	U043.004	SCREW TCBC M4,0X16 UNI 7687 GALV.					
25	9991.005	RUBBER FOR COFFEE GRINDER					
26	9141.003	SPACER FOR RUBBER					
27	U324.006	NUT M4 FLANGED INDENTED BASE					
28	NE05.037	MICROSWITCH					
29	9161.365.150	GREY PLATE FOR COFFEE GRINDER					
30	128610521	STAIL.STEEL AISI 304 SPHERE D=5,5MM					
31	126765517	STEEL SPRING SPHERE D=5,5 MOTOR MAGIC					
32	9161.097.150	LEVER FIXING PLATE GREY					
33	0313.003.150	ADJUSTMENT LEVER GREY RAL 7016					
34	9161.080.910	GRINDING ADJUSTM.LEVER SILV.TURMIX					
35	1505.020	GASKET COFFEE GRINDER UL					
36	9991.103	ANTIVIBRATION FOR COFFEEGRINDER					
37	140230400	SHOCK ABS.CONICAL GRINDER SUPPMAGIC					
38	U201.001	PLAIN WASHER 3,2X9 DIN 7349 GAL					



Ref.	Code	Description	Version
01	9120.051.150	WIRED RATIOMOTOR ROYAL GREY ASSY.	
02	9120.057.150	WIRED RATIOMOTOR ROYAL UL GREY ASSY	SEE PART.N°12
03	129670202	TCB PANEL/IT SCREW 3,5X16 TESTAD=8 ZNP	
04	9121.043.150	RATIOMOTOR LID GREY	
05	9121.069.150	GEAR Z=108 FOR MOUNTING PLATE M4000	
06	9161.368	MYLAR WASHER FOR RATIOMOTOR	
07	NE05.038	MICROSWITCH	
08	9161.429	CABLE CLAMP FOR BRACKET	
09	9121.063.150	RATIO MOTOR CASING WITH GREY TUBE ASSY.	
10	148380200	WASHER BAKELIZZATE D=5,5	
11	9121.046	SINTERED BUSH FOR MOTOR	
12	9120.053	GENMOTOR FOR RATIOMOTOR ROYAL DGT AS	WITH PART.N°2,13
	9120.059	GENMOTOR FOR RATIOMOTOR ROYAL DGT UL AS	WITH PART.N°2,13
13	9121.044	ANTIVIBRATION FOR MOTOR	
14	9121.042	GEAR Z.12/90	
15	U110.004	SCREW AUT.TCB 3,5X6,5 DIN 7981 F	
16	0360.025	MYLAR GUARD FOR ELECTRONICS	
17	9161.427.050	PROTECTION BRACKET	
18	NE17.002	ADH.CABLE RETAI.ROUND CABLE D=10MM	
19	0351.R02.77A	SPARES WHOLE ELECTRONICS	
	0351.R03.77A	SPARES WHOLE ELECTRONICS	
	0351.R03.77F	SPARES WHOLE ELECTRONICS	
	0351.R01.77A	SPARES WHOLE ELECTRONICS	
	0351.R04.77A	SPARES WHOLE ELECTRONICS	
	0351.R03.77R	SPARES WHOLE ELECTRONICS	
20	20000922	KIT COMPLETE PROGRAMMER SW SERKIT	
21	129913202	SCREW TCB TORX 10 3X8 PLAST.ZN-B	230V
22	0314.829.00A	POWER CARD ROYAL PROFESSIONAL	
	0351.804.00A	POWER CARD ROYAL PROFESSIONAL	230V
	0351.804.00F	POWER CARD ROYAL PROFESSIONAL	120V
23	0347.816	DISPLAY FOR ROYAL REDESIGN	
24	11006458	SILVER ELECTRONICS SUPPORT ROYAL	
25	0348.801	WHOLE KEYBOARD DIGITAL PLUS	
26	0351.801	CPU/TOUCH PANEL PROFESSIONAL 61	
	0351.802	CPU/TOUCH PANEL PROFESSIONAL 61	
	0351.803	CPU/TOUCH PANEL PROFESSIONAL	

Ref.	Code	Description	Version
26	0351.808	CPU/TOUCH PANEL PROFESSIONAL	
	0351.821	WITH INOX BOILER	
	0351.820	CPU/TOUCH PANEL PROFESSIONAL 120V	(USA) (RC)
27	184950400	FUSE T8 AMP.5X20 SAND-BLASTED	(J)
	184950300	FUSE T32 M.AMP.5X20 DELAYED	
28	149090500	DOUBLE SIDED ADHESIVE STRIP	
29	0351.002.770	SILVER SERIGRAPHED ESCUTCHEON	
	0354.004.770	SILVER SERIGRAPHED ESCUTCHEON	CHROME VERS.
30	0347.015	ADHESIVE FOR PACKAGING	
31	128310404	WASHER UNI 8842 A4 BURNISHED	



Ref.	Code	Description	Version	Ref.	Code	Description	Version
01	9161.367.150	GREY COFFEE OUTLET SLEEVE					
02	9161.222	CONICAL SPRING					
03	9991.168	GLASS SPHERE D.5MM					
04	NM02.013	OR ORM 0080-15 TERMOIL					
05	9161.193.150	GREY COUNTERPISTON FOR COFFEE UNIT					
06	NM01.044	OR ORM 0320-40 IN SILICONE PTFE/FDA					
07	9161.067.150	GREY PLATE FOR UNIT COUPLING					
08	9161.070.150	GREY REAR PLATE FOR UNIT					
09	U140.019	PANELVIT TCB 3,0X16 DIN 7505 B SS					
10	227470150	PIN BLACK ASS.FOR PERCOLATOR					
	227470159	PIN GREY ASS.FOR PERCOLATOR					
11	NM02.006	OR R5 TERMOIL					
12	9161.064.150	GREY WATER INLET SLEEVE BREW UNIT					
13	NM02.007	OR 2025 TERMOIL					
14	0301.R04.150	SPARE SLEEVE UNIT GREY					
15	223740300	PERCOLATOR DE=35,8 ASSY.					
	9160.075	PERCOLATOR DE=35,8 ELFO ASSY.					
16	9161.195.150	GREY CONTAINER FOR UNIT ASSY.					
17	9161.066.150	ELBOW SHAFT FOR UNIT GREY					
18	9161.071.150	GREY FRONT PLATE FOR UNIT					
19	9161.094.150	GREY DRILLED BLOCK BREW UNIT					
20	9161.060.150	GREY SCRAPER FOR COFFEE UNIT					
21	U140.020	PANELVIT TCB 3,0X16 DIN 7505 B SS					
22	9161.306.150	GREY INTEGRAL PISTON ASSY.					
23	9161.198	PISTON SPRING BREW UNIT M5000					
24	9161.191	NEUTRAL PISTON BUSH BREW UNIT M5000					
25	NM02.018	OR ORM 0090-25 TERMOIL					
26	9161.343.150	INTERGRAL PISTON ASS.					
27	9161.065.150	CONNECTING ROD FOR UNIT GREY					
28	9161.123.150	GREY HOPPER FOR UNIT W/SILK SCREEN PRESS					
29	9161.046	SPRING FOR UNIT SCRAPER					
30	U109.026	SS.SCREW AUT.TCB 3,5X19 DIN 7981 C					
31	9161.045	SPRING FOR UNIT HANDGRIP					
32	9161.069.150	GREY HANDGRIP FOR COFFEE UNIT					
33	11003800	BLACK BREW UNIT MAGIC/ROYAL (SEE COD. EXP. E90048) NOTE:FOR SINGLE PARTS OF OLD GRAY BREW UNIT: SEE THIS TABLE					