

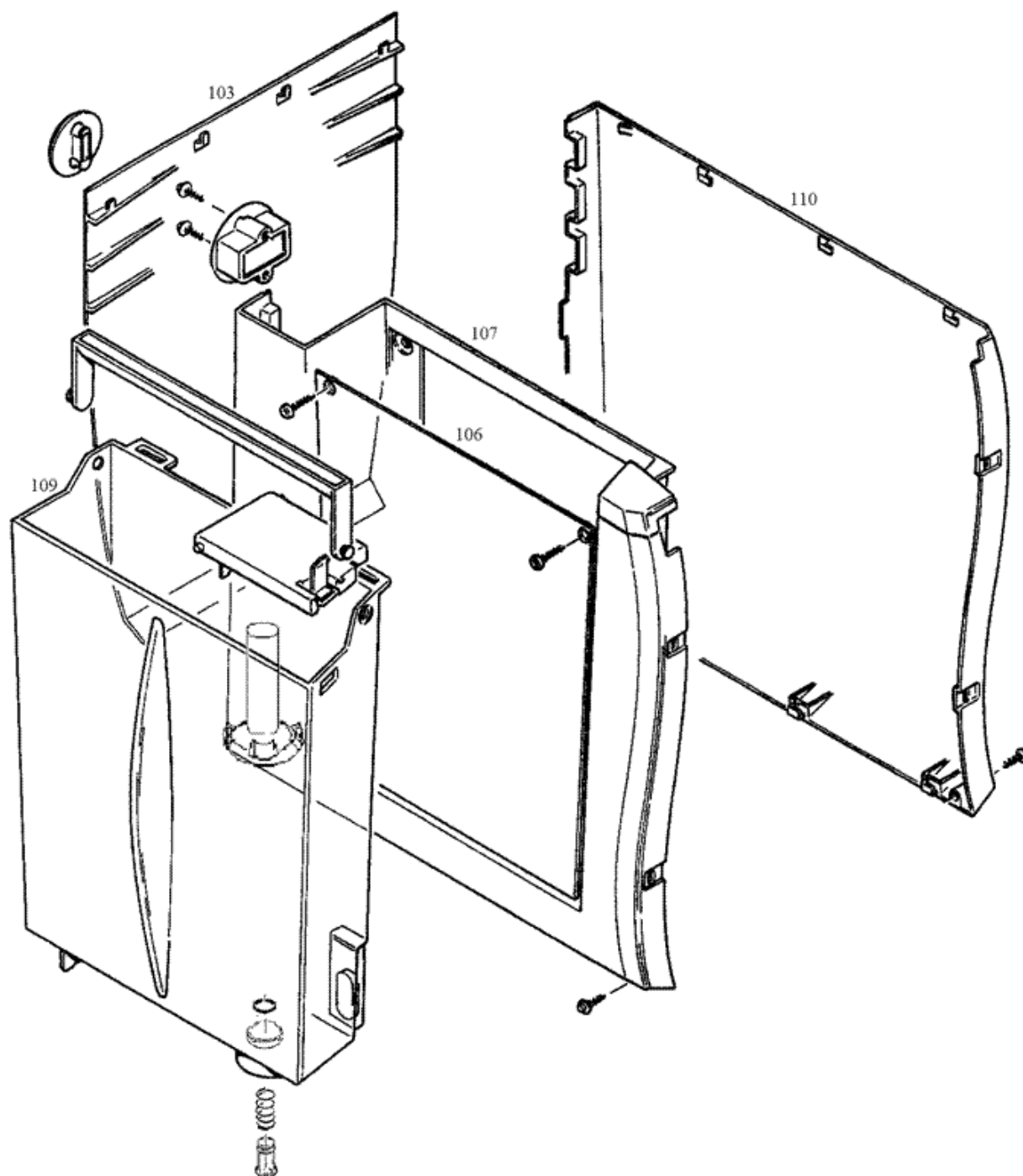
The recycling passport is valid for the following articles:

13205	Imprensa Z5 alu (CH)
13206	Imprensa Z5 alu (EU)
13214	Imprensa Z5 matte silver (UL/JC)
13247	Imprensa X5 alu (CH)
13248	Imprensa X5 alu (EU)
13263	Imprensa Z5 chromium (CH)
13264	Imprensa Z5 chromium (EU)
13265	Imprensa Z5 alu (UL)
13286	Imprensa Z5 alu (CCC)
13299	Imprensa Z6 chromium (UL/JC)
13312	Imprensa Z5 alu (AUS)
13316	Imprensa Z5 alu
13319	Imprensa Z5 chromium (UL)
13329	Imprensa Z5 alu (UK)
13336	Imprensa Z5 alu GII (CH)
13337	Imprensa Z5 alu GII (EU)
13338	Imprensa Z5 alu (UL)
13339	Imprensa Z5 alu (UL/JC)
13351	Imprensa Z5 chromium
13356	Imprensa Z5 chromium GII (CH)
13357	Imprensa Z5 chromium GII (EU)
13376	Imprensa Z5 alu GII (UK)
13388	Imprensa Z5 alu GII (CCC)
13411	Imprensa Z5 alu GII (AUS)
13416	Imprensa Z5 alu GII (EU INT)
13417	Imprensa Z5 chromium GII (EU INT)
13418	Imprensa Z5 chromium (UL)
13419	Imprensa Z6 chromium (UL/JC)
13443	Imprensa Z5 alu GII
13492	Imprensa Z5 white GII (EU)
19000	Imprensa Z5 rhodium (CH)
19001	Imprensa Z5 rhodium (EU)
19010	Imprensa Z5 rhodium (RU)

The Variant designations mean:

(1) Case components and water tank

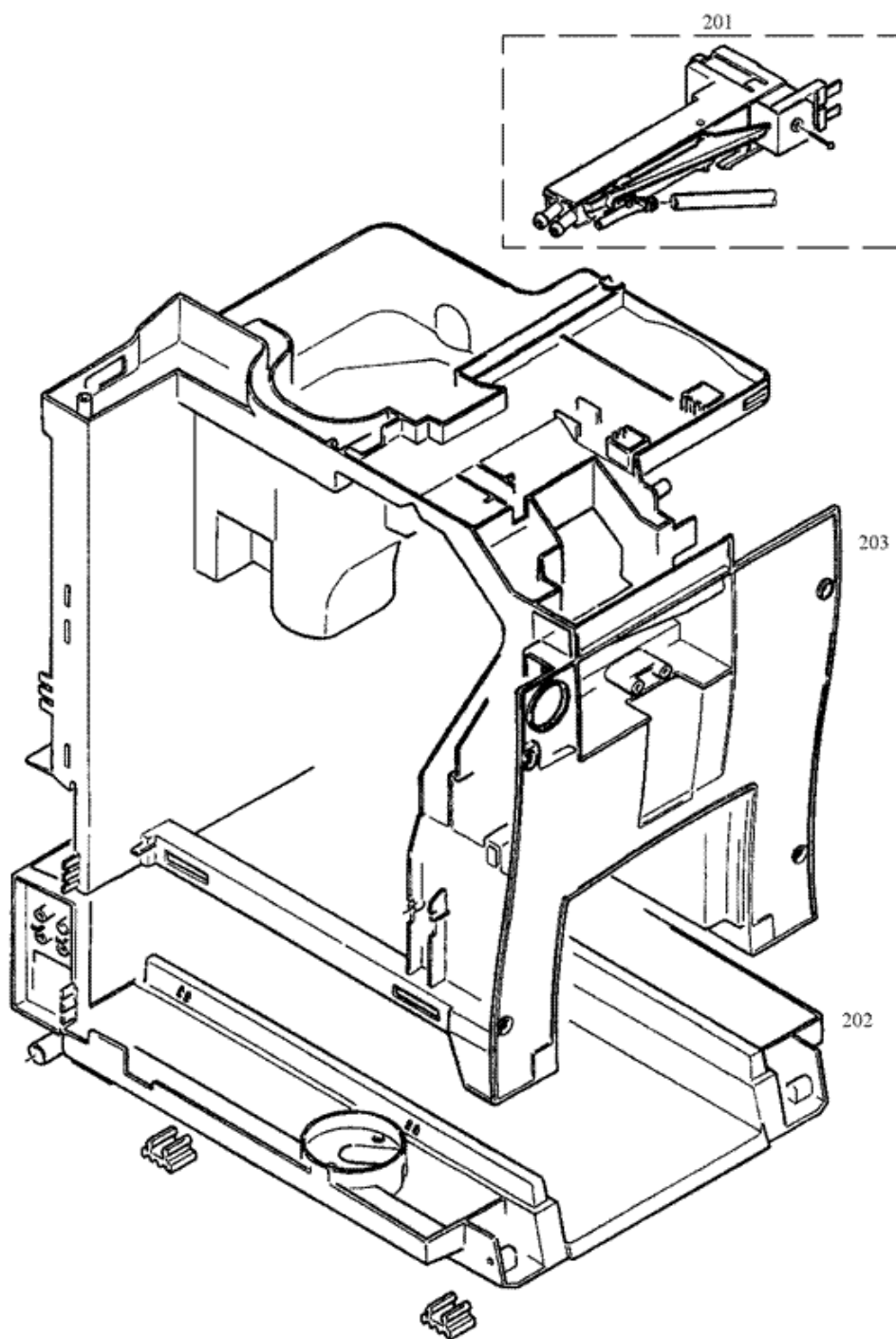
S13205_01



Pos	Designation	Material	Disassembly	Disposal	Variation	Return
0103	Back black	ABS				
0106	Cover to left side section	ABS				
0107	Left side section black	ABS				
0109	Water tank complete	Plastic				
0110	Right side section black	ABS				

(2) Case components and whip

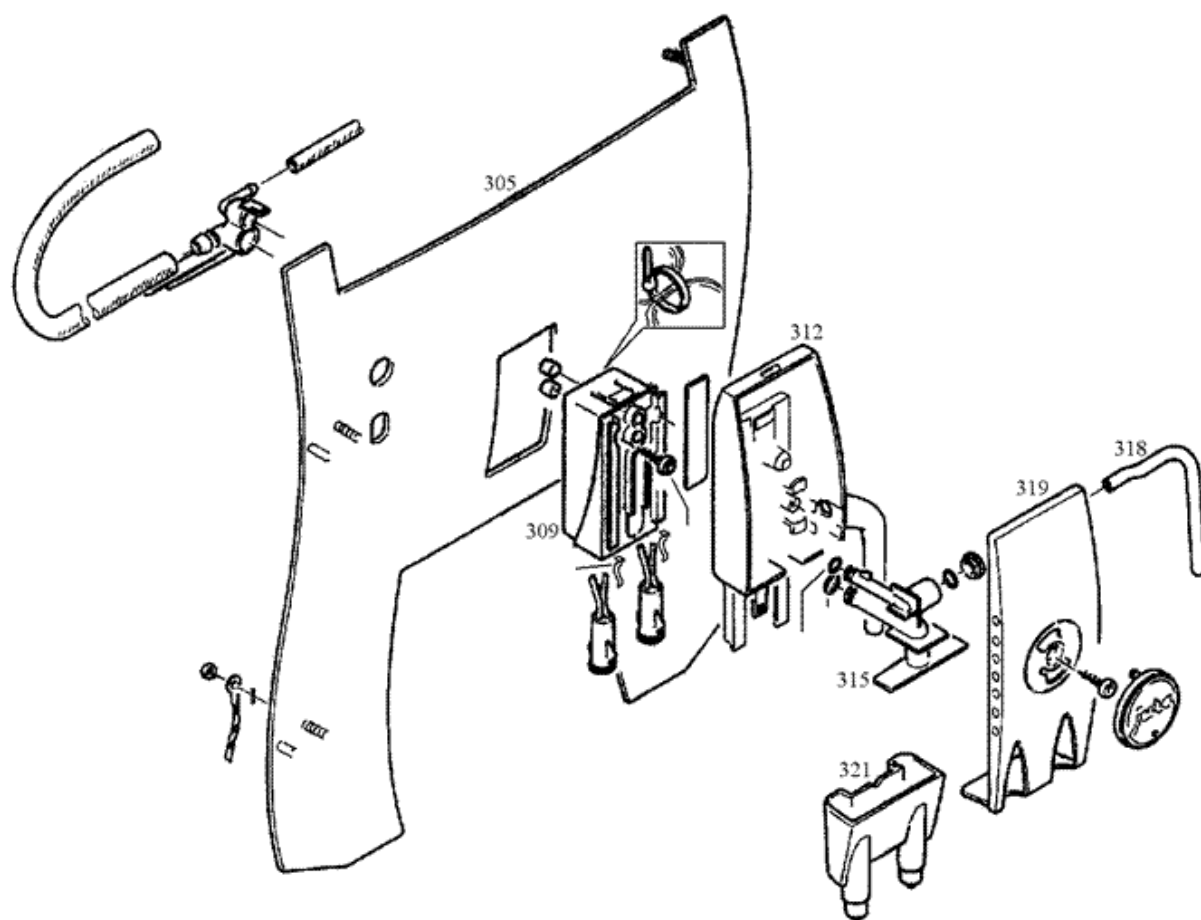
S13205_02



Pos	Designation	Material	Disassembly	Disposal	Variation	Return
0201	Circuit element cpl	Plastic / Silicone / High-grade steel				
0202	Components support Z5 bottom	ABS				
0203	Components support Z5 above	ABS				

(3) Front cover

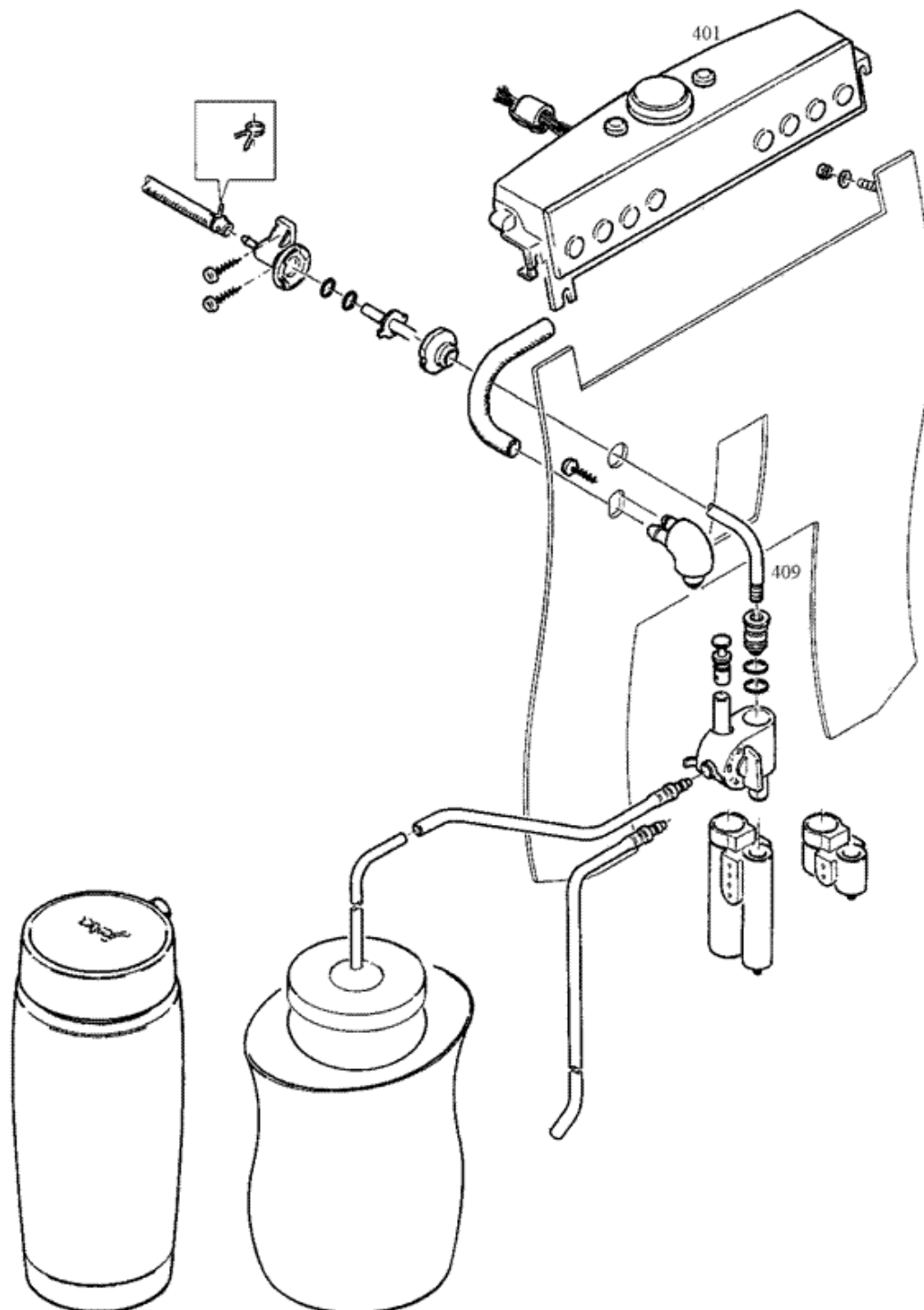
S13205_03



Pos	Designation	Material	Disassembly	Disposal	Variation	Return
0305	Front cover rodi. assembled	AL rodin.			X	
0305	Front shield platinum	AL			X	
0309	Guide for outlet gate	POM				
0312	Outlet gate black V2	ABS				
0315	Valve body	PA				
0318	Water tube V2	Steel				
0319	Outlet gate front rodin.	ABS rodin.			X	
0319	Outlet gate	ABS			X	
0321	Outlet ass.	ABS / ABS metalized / High- grade steel				

(4) Cappu and displaymodul

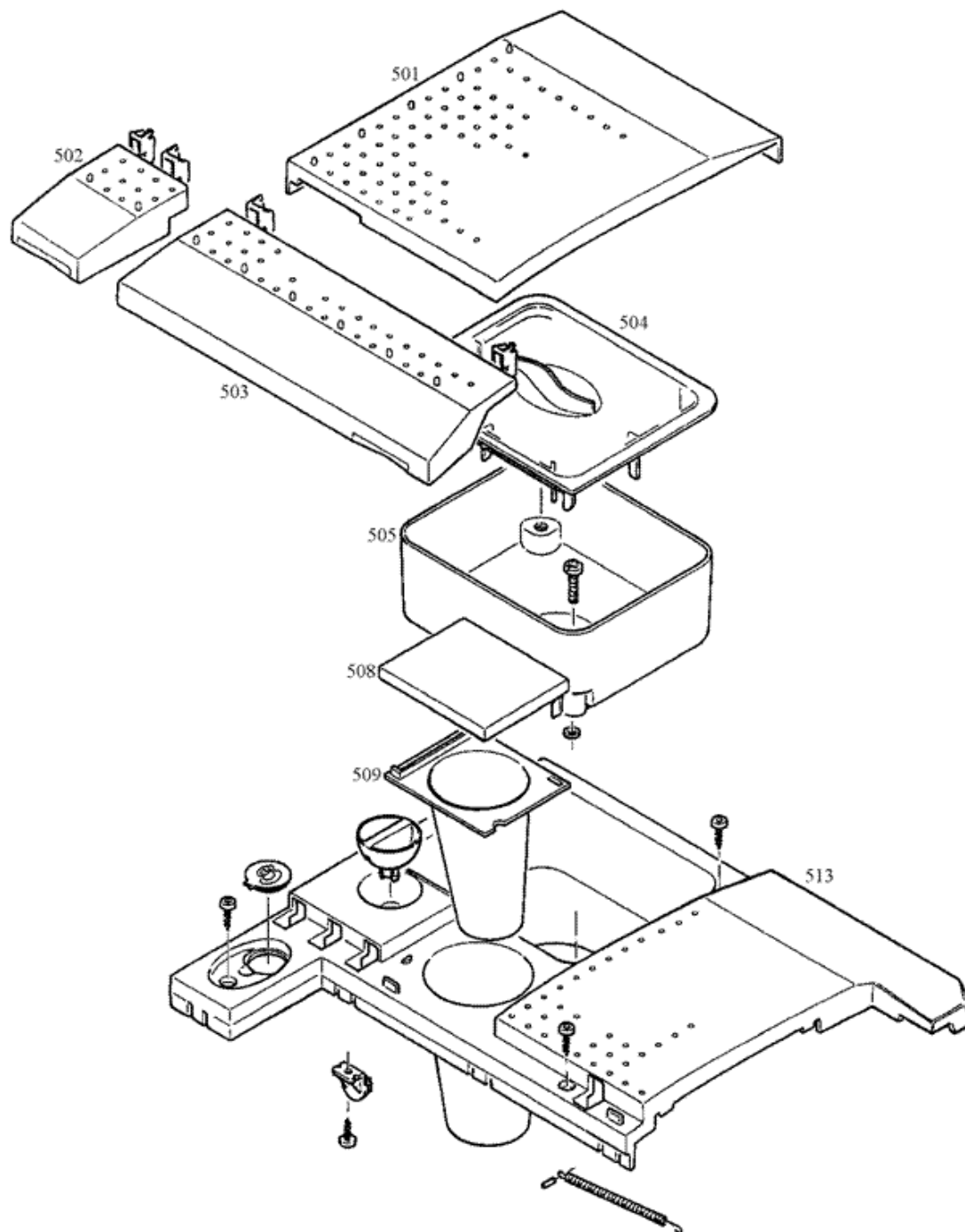
S13205_04



Pos	Designation	Material	Disassembly	Disposal	Variation	Return
0401	Displaymodul Z5 GII	Electronic				
0409	Discharge pipe chromium plated	Messing				

(5) Case cover

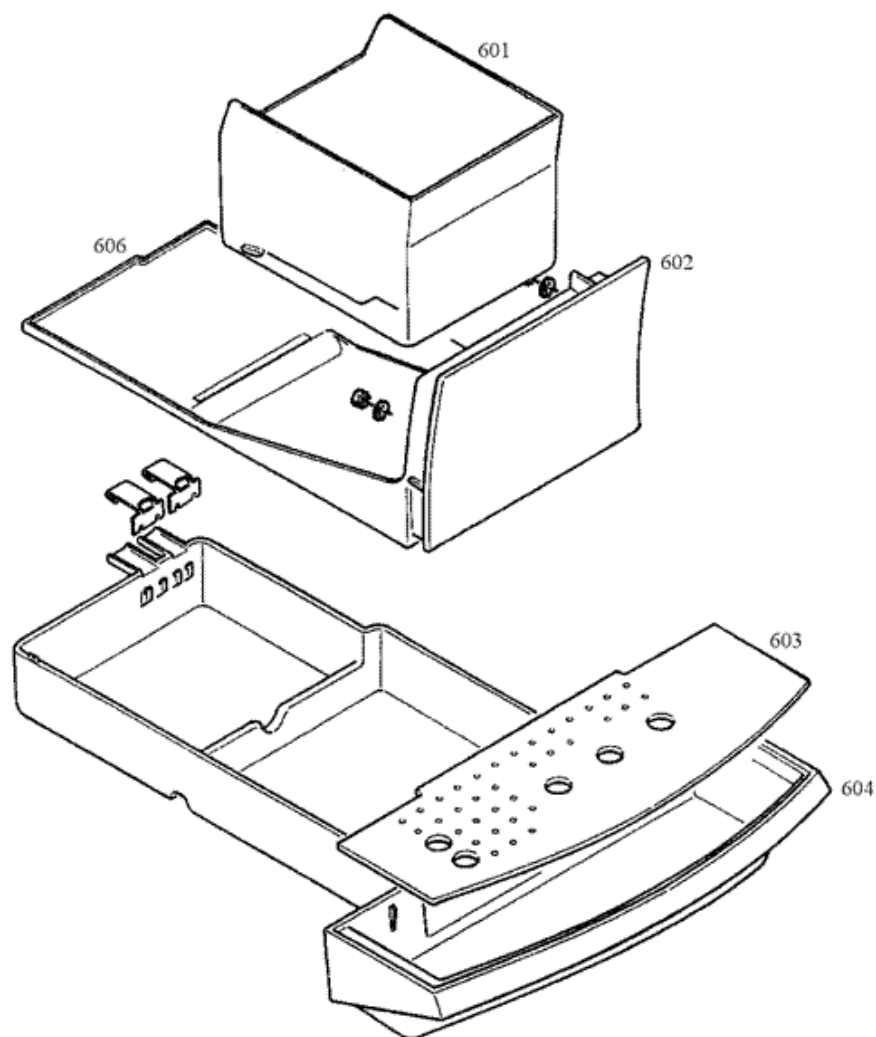
S13205_05



Pos	Designation	Material	Disassembly	Disposal	Variation	Return
0501	Bean container lid	ABS / High-grade steel				
0502	Service plug cover	ABS				
0503	Tank lid big black	ABS				
0504	Lid to preserve aroma					
0505	Bean container black	PP / SAN				
0508	Powder funnel lid	ABS				
0509	Powder funnel black	ABS				
0513	Housing lid complete	ABS				

(6) Pan

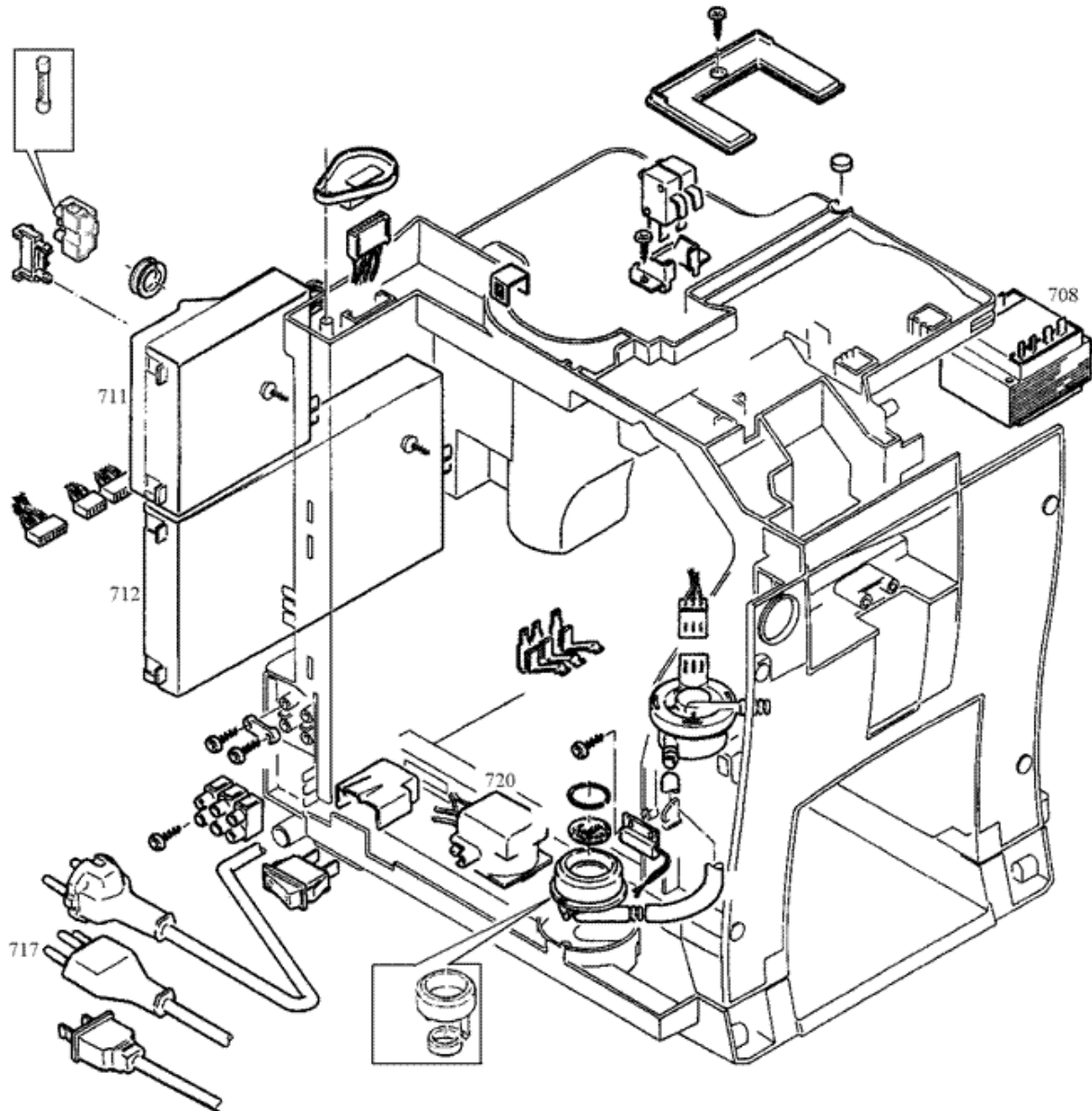
S13205_06



Pos	Designation	Material	Disassembly	Disposal	Variation	Return
0601	Used ground container black	PP				
0602	Used ground pan shield rodin.	AL rodin.			x	
0602	Used ground pan shield	AL			x	
0603	cup platform cpl. Z5 GII	Plastic / AL / High-grade steel			x	
0603	cup platform inox	High-grade steel			x	
0604	Drain pan black	ABS / High-grade steel				
0606	Used ground pan black	ABS				

(7) Printed power circuit board

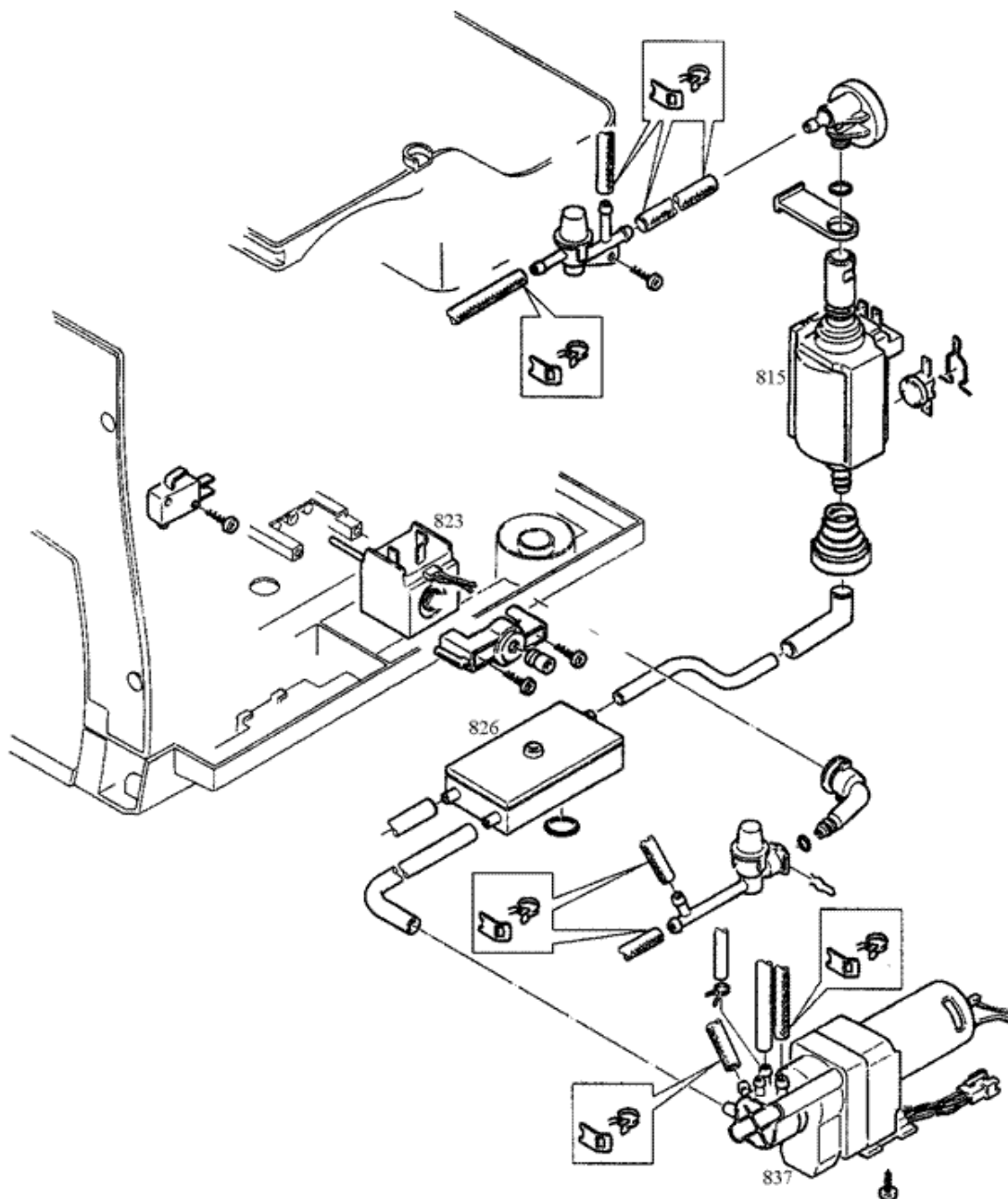
S13205_07



Pos	Designation	Material	Disassembly	Disposal	Variation	Return
0708	Transformer 230V	Electro			x	
0708	Transformer 120V	Electro			x	
0711	Electronic Z5/Z6 V2 RoHS	Electronic		Accu		
0712	Power pcb V4	Electronic				
0717	Incoming feeder sw RoHS	Copper / Gum				
0720	Interference eliminator V3	Electro				

(8) Fluid System

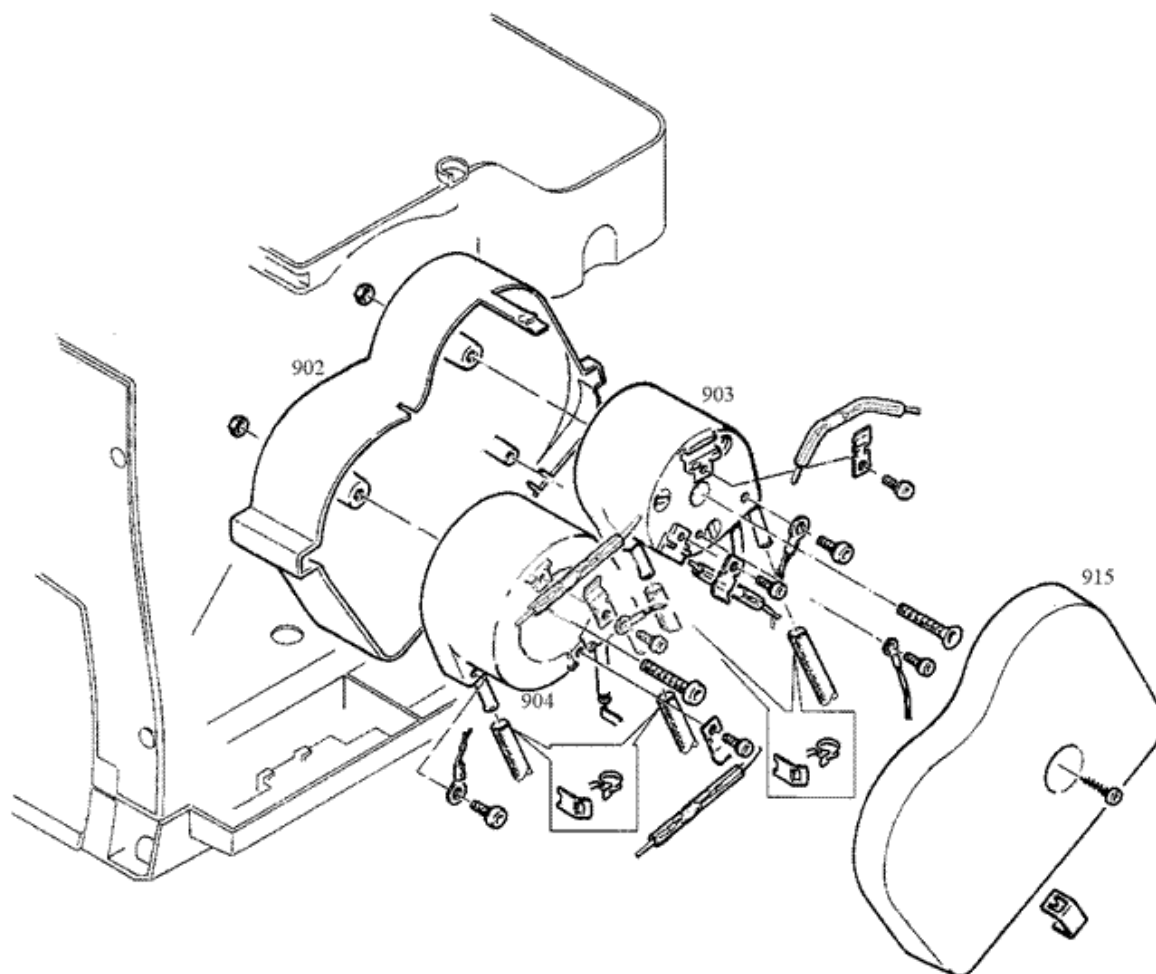
RP13205_08



Pos	Designation	Material	Disassembly	Disposal	Variation	Return
0815	Pump 230V/50Hz/60W	Electro			X	
0815	Pump cp3a 120v/60hz	Electro			X	
0823	Magnet drainage valve IEC 230V	Copper / Steel / Plastic			X	
0823	Magnet drainage valve IEC 120V	Copper / Steel / Plastic			X	
0826	Thermostat anodizes	AL / High-grade steel				
0837	Soupape céramique 12-24V V2 R	Ceramic / PA / PEI / Silicone / Messing / High-grade steel				

(9) Heater

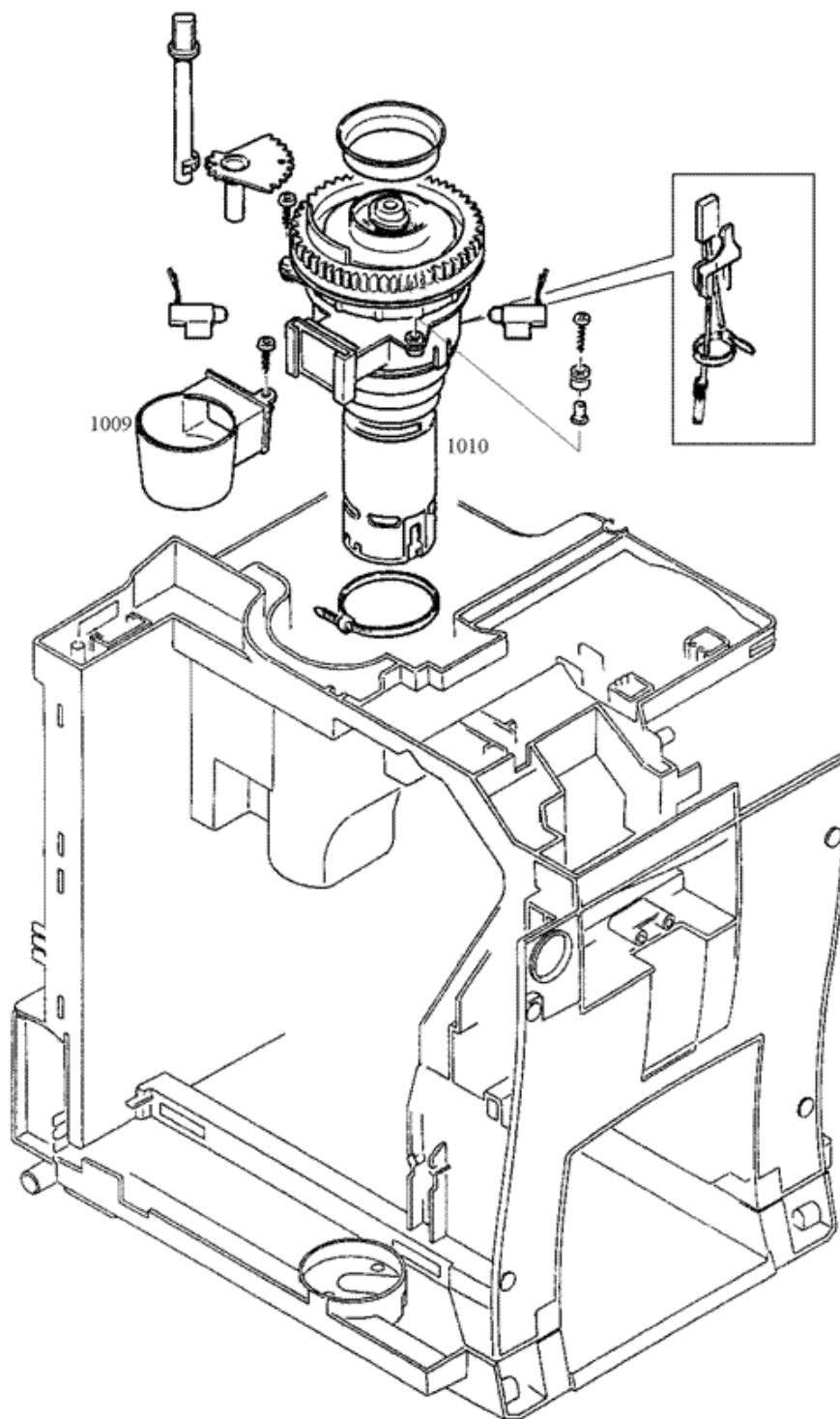
RP13205_09



Pos	Designation	Material	Disassembly	Disposal	Variation	Return
0902	Heating support thermoblock V2	PA				
0903	Thermoblock 2003 120V/1200W	AL / Silicone / Steel			x	
0903	Thermoblock 2003 230V/1200W	AL / High-grade steel			x	
0904	Thermoblock 2001 120V/1200W	AL / Silicone / Steel			x	
0904	Thermoblock 2001 230V/1200W	AL / High-grade steel			x	
0915	Lid TB 2001/2003 V2	PA				

(10) Grinder

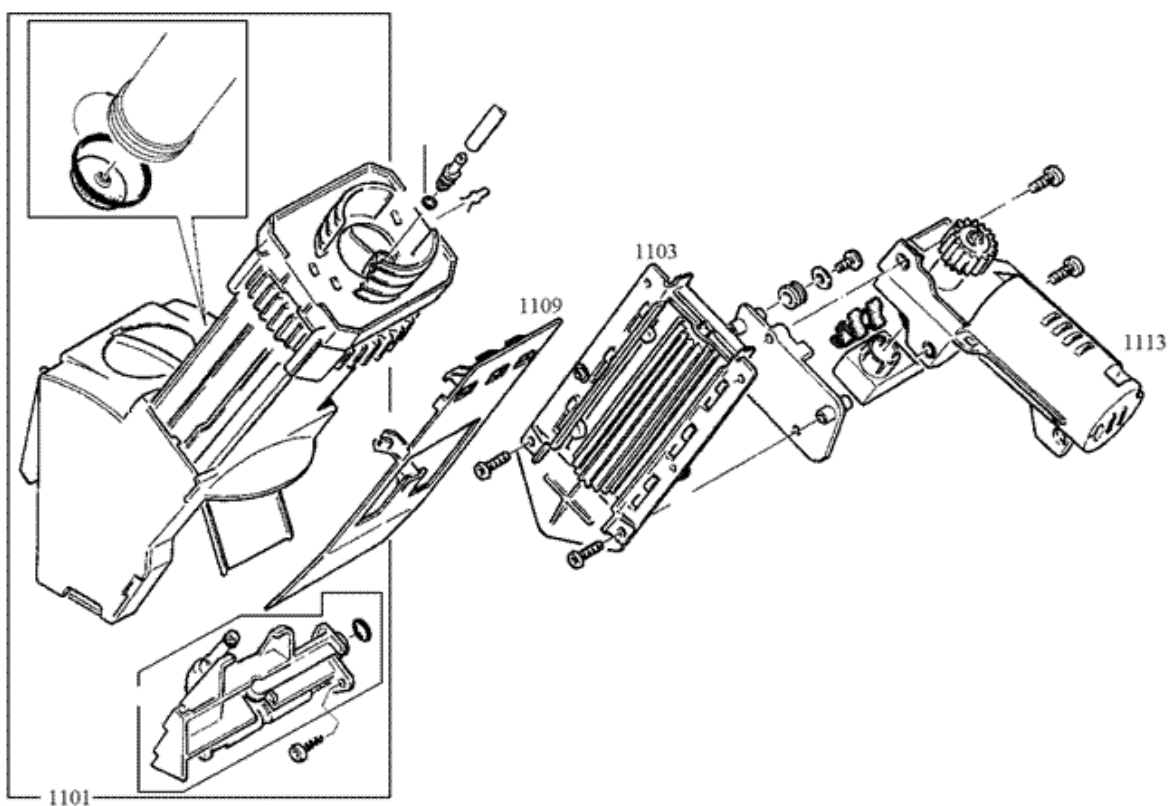
S13205_10



Pos	Designation	Material	Disassembly	Disposal	Variation	Return
1009	Funnel black	ABS				
1010	Grinder unit 230V "choke"	Electro / POM / PA / NBR / Steel			x	
1010	Grinder unit 120V V6	Electro / POM / PA / ABS / Steel			x	

(11) Brew unit and drive

S13205_11



Pos	Designation	Material	Disassembly	Disposal	Variation	Return
1101	Brew unit assembled	Plastic / High-grade steel				
1103	Guide assembled quiet	AL / POM				
1109	Used ground blade	POM				
1113	Geared motor X5 ass. RoHS	Electro / Messing / POM				