

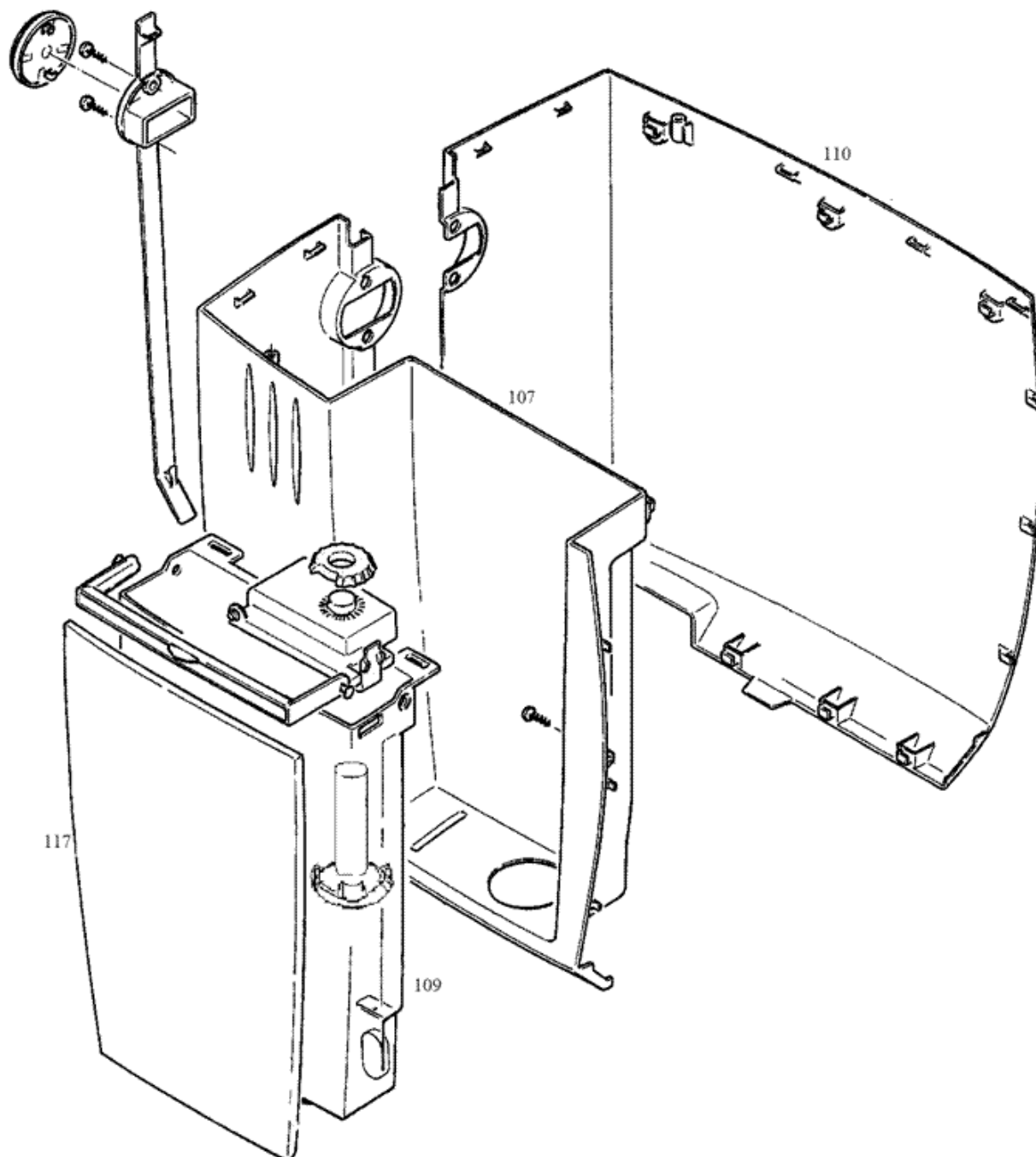
The recycling passport is valid for the following articles:

13308	Impresa J5 platin/white (CH)
13309	Impresa J5 platin/white (EU)
13322	Impresa J5 black (CH)
13323	Impresa J5 black (EU)
13332	Impresa J5 black (UL/JC)
13333	Impresa J5 platin/white (UL/JC)
19002	Impresa J5 northern birch (CH)
19003	Impresa J5 northern birch (EU)
19004	Impresa J5 colomb. walnut (CH)
19005	Impresa J5 colomb. walnut (EU)
19011	Impresa J5 northern birch (RU)
19012	Impresa J5 colomb. walnut (RU)
13334	Impresa J5 black (UL)
13335	Impresa J5 platin/white (UL)
13349	Impresa J5 black
13350	Impresa J5 platin/white
13396	Impresa J5 pianowhite (CH)
13397	Impresa J5 pianowhite (EU INT)
13405	Impresa J5 platin/white (EU INT)
13406	Impresa J5 black (EU INT)
13407	Impresa J5 champagne (EU INT)
13439	Impresa J5 black (UL)
13440	Impresa J5 platin/white (UL)
13460	Impresa J5 pianowhite (CCC)
13465	Impresa J5 pianowhite (UL/JC)
13532	Impresa J5 pianowhite (IT)

The Variant designations mean:

(1) Case components and water tank

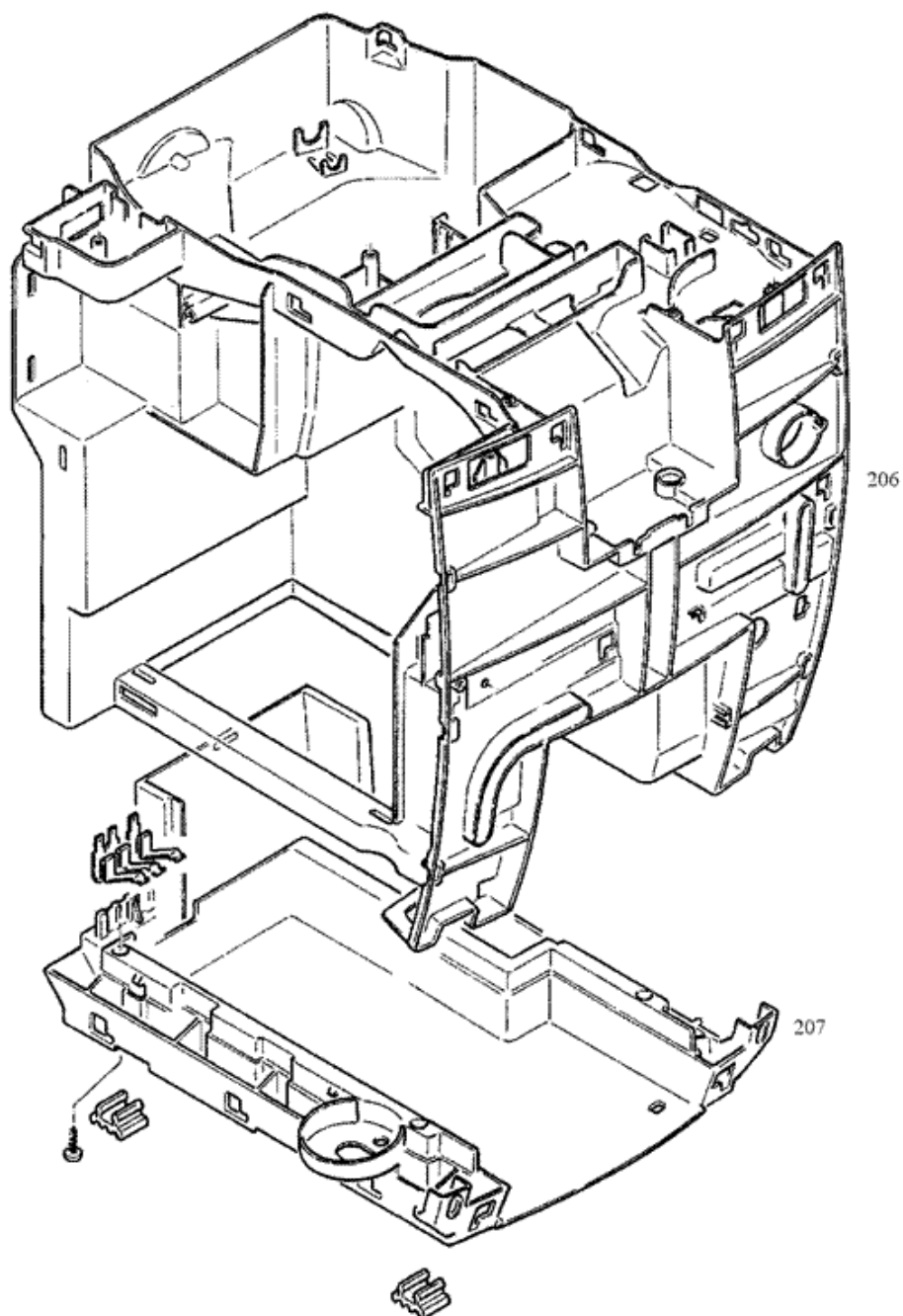
S13308_01



Pos	Designation	Material	Disassembly	Disposal	Variation	Return
0107	Left side section V3	ABS				
0109	Water tank complete	SAN / PA / NBR / Steel				
0110	Right side section black V3	ABS				
0117	Shield white	PC				

(2) Case components

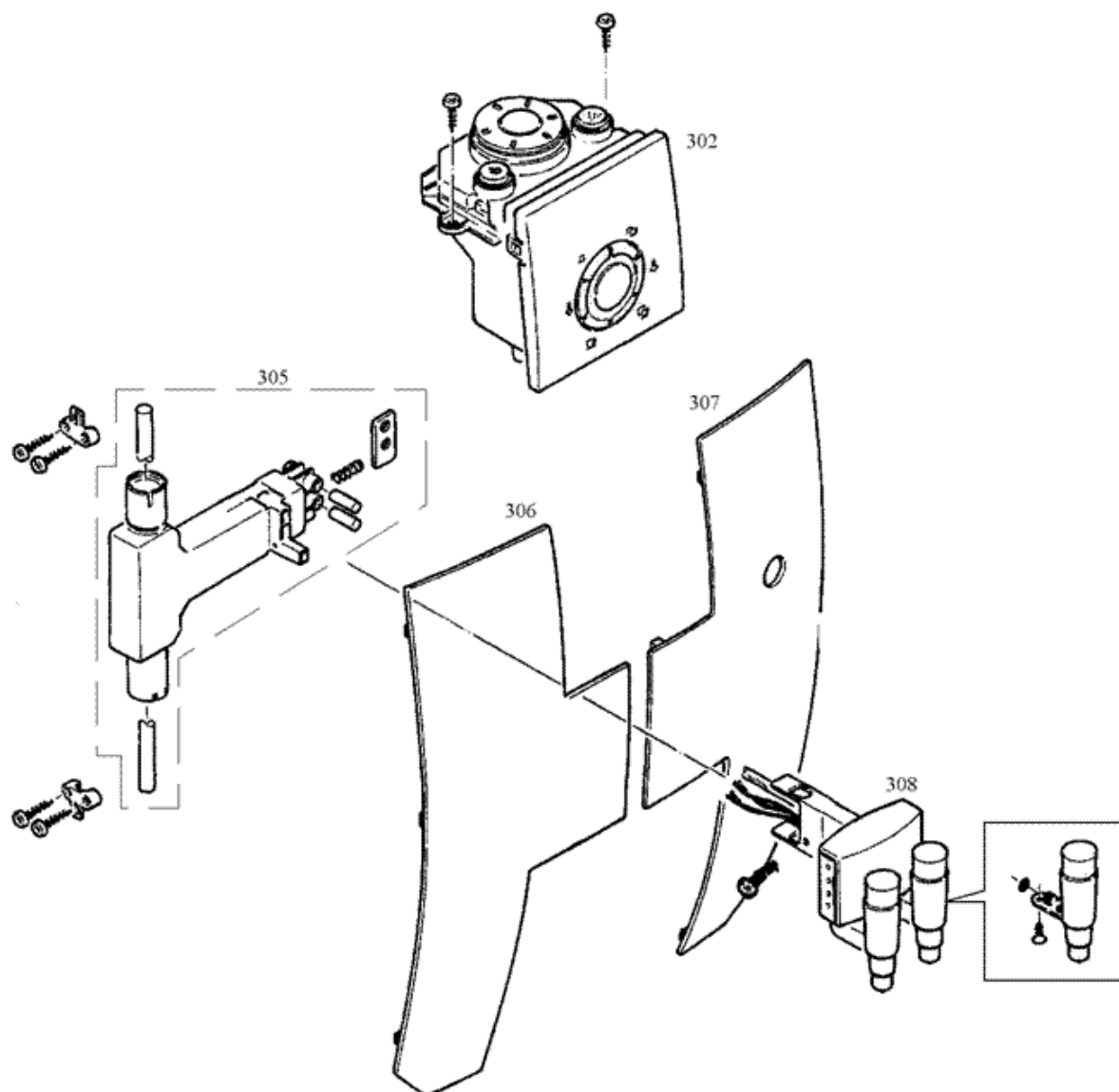
S13308_02



Pos	Designation	Material	Disassembly	Disposal	Variation	Return
0206	Components support J5 above	ABS				
0207	Components support bottom	ABS				

(3) Front cover

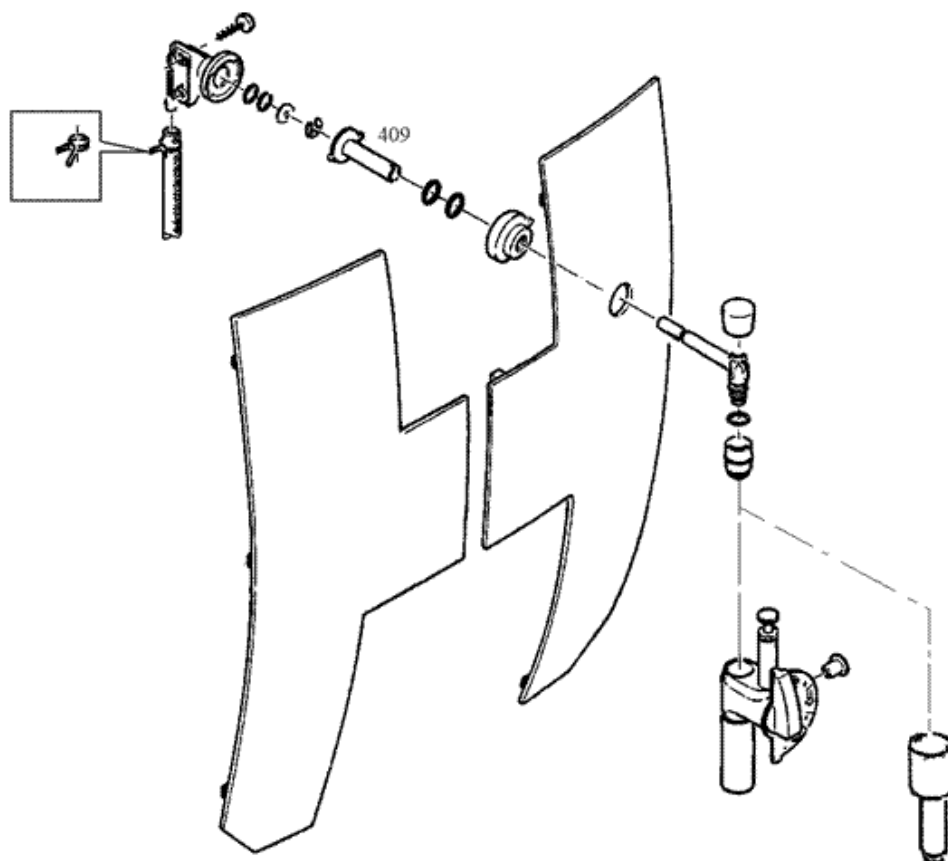
S13308_03



Pos	Designation	Material	Disassembly	Disposal	Variation	Return
0302	Displaymodul	Electronic				
0305	Outlet gate	PA / High-grade steel				
0306	Front shield left white	ASA				
0307	Front shield right white	ASA				
0308	Outlet	ABS / POM / PA / PBT / NBR / Steel / Silicone				

(4) Cappu

S13308_04



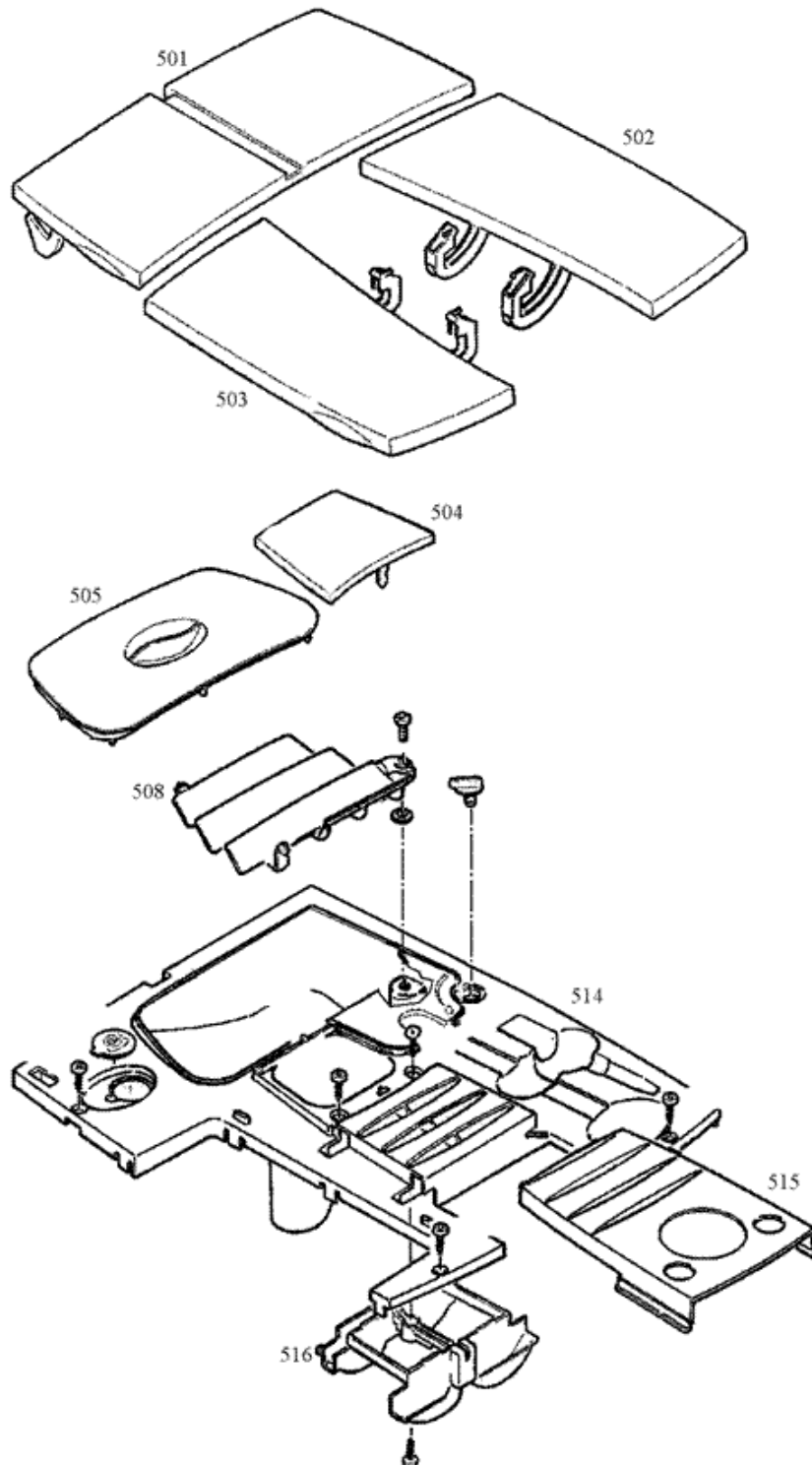
RP13308 Impresa J5 platin/white (CH)
Edition: 09/12/09

652

Pos	Designation	Material	Disassembly	Disposal	Variation	Return
0409	Discharge pipe chromium plated	Steel				

(5) Case cover

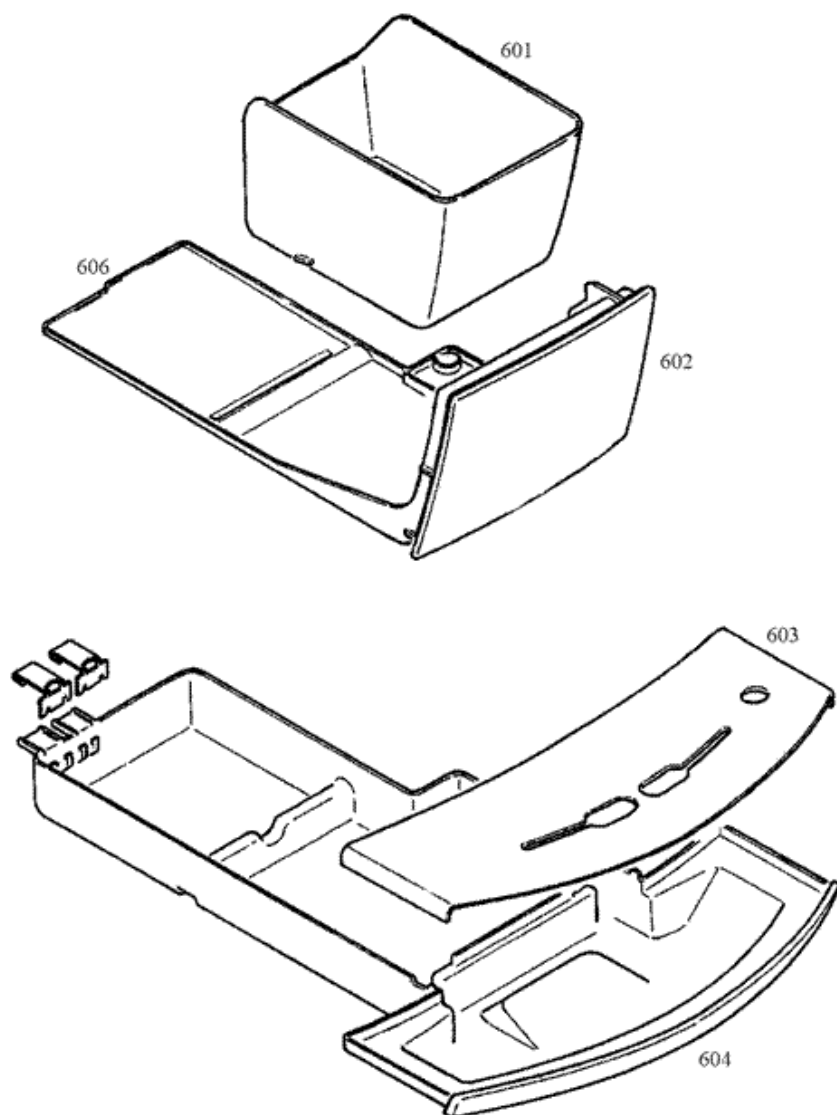
S13308_05



Pos	Designation	Material	Disassembly	Disposal	Variation	Return
0501	Cover white	ABS / ASA				
0502	Cover white	ASA				
0503	Tank lid white	ASA				
0504	Powder funnel lid	ABS				
0505	Lid to preserve aroma	SAN				
0508	Finger guard	ABS				
0514	Housing lid assembled	ABS / Messing / PP / SAN				
0515	Display cover	ABS				
0516	Cover	ABS				

(6) Pan

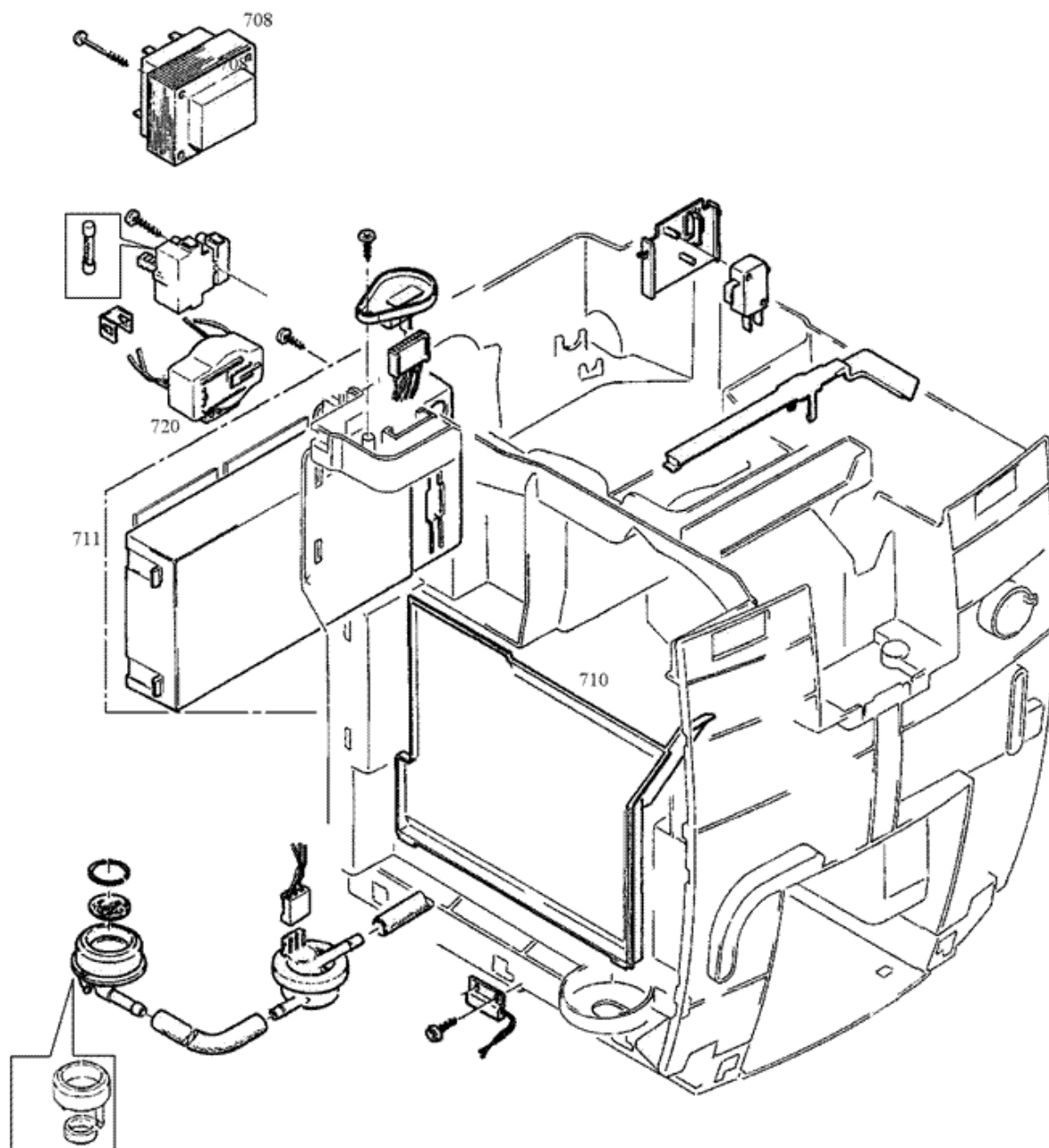
S13308_06



Pos	Designation	Material	Disassembly	Disposal	Variation	Return
0601	Used ground container black	PP				
0602	Used ground pan shield white	ASA				
0603	cup platform inox J5	High-grade steel				
0604	Drain pan	ABS / High-grade steel				
0606	Used ground pan black	ABS				

(7) Printed power circuit board

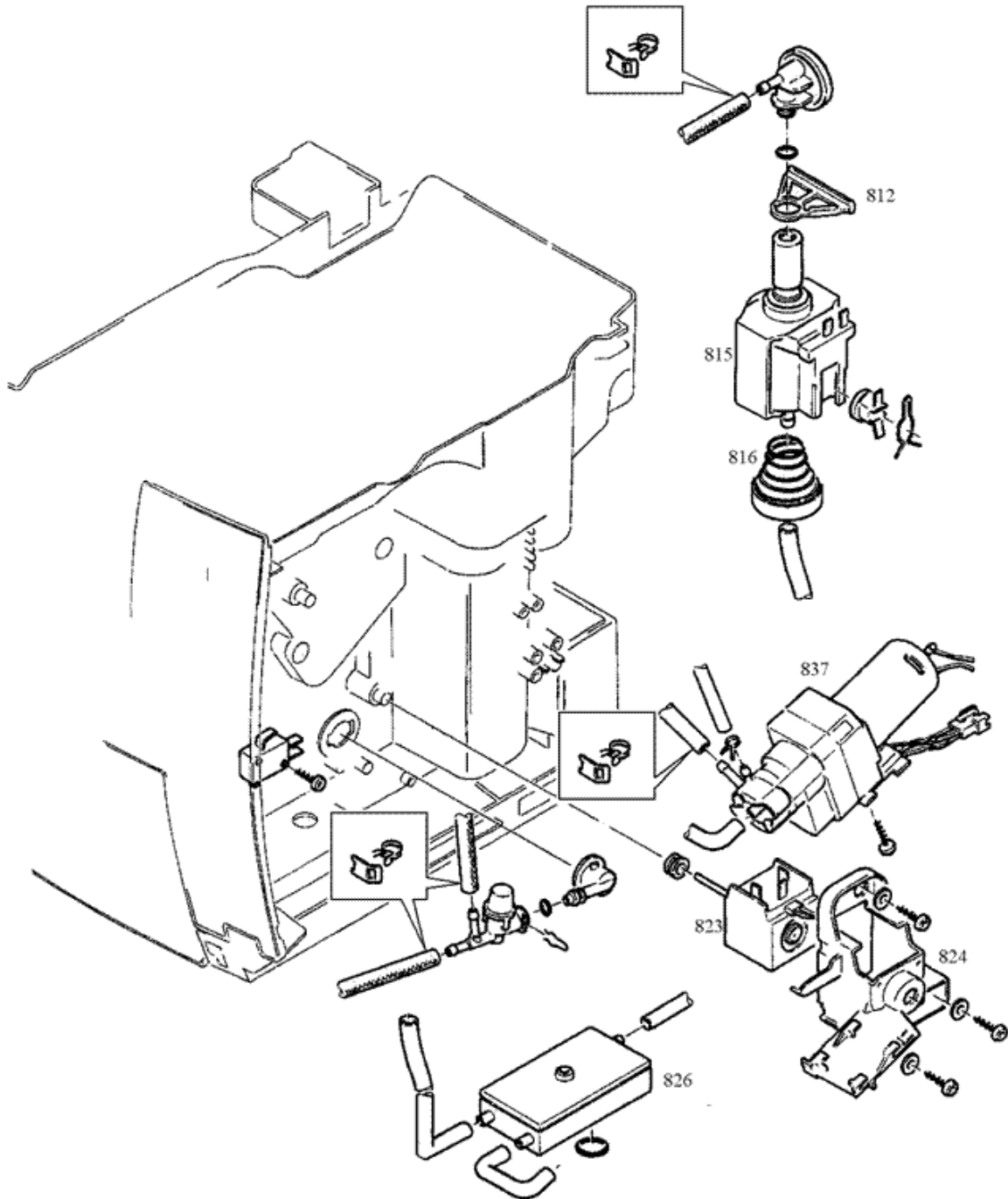
S13308_07



Pos	Designation	Material	Disassembly	Disposal	Variation	Return
0708	Transformer 230V	Electro			x	
0708	Transformer 120V	Electro			x	
0710	Protective wall black V2	ABS				
0711	Power pcb 230V V2	Electro			x	
0711	Power pcb 120V	Electro			x	
0720	Interference eliminator	Electro				

(8) Fluid System

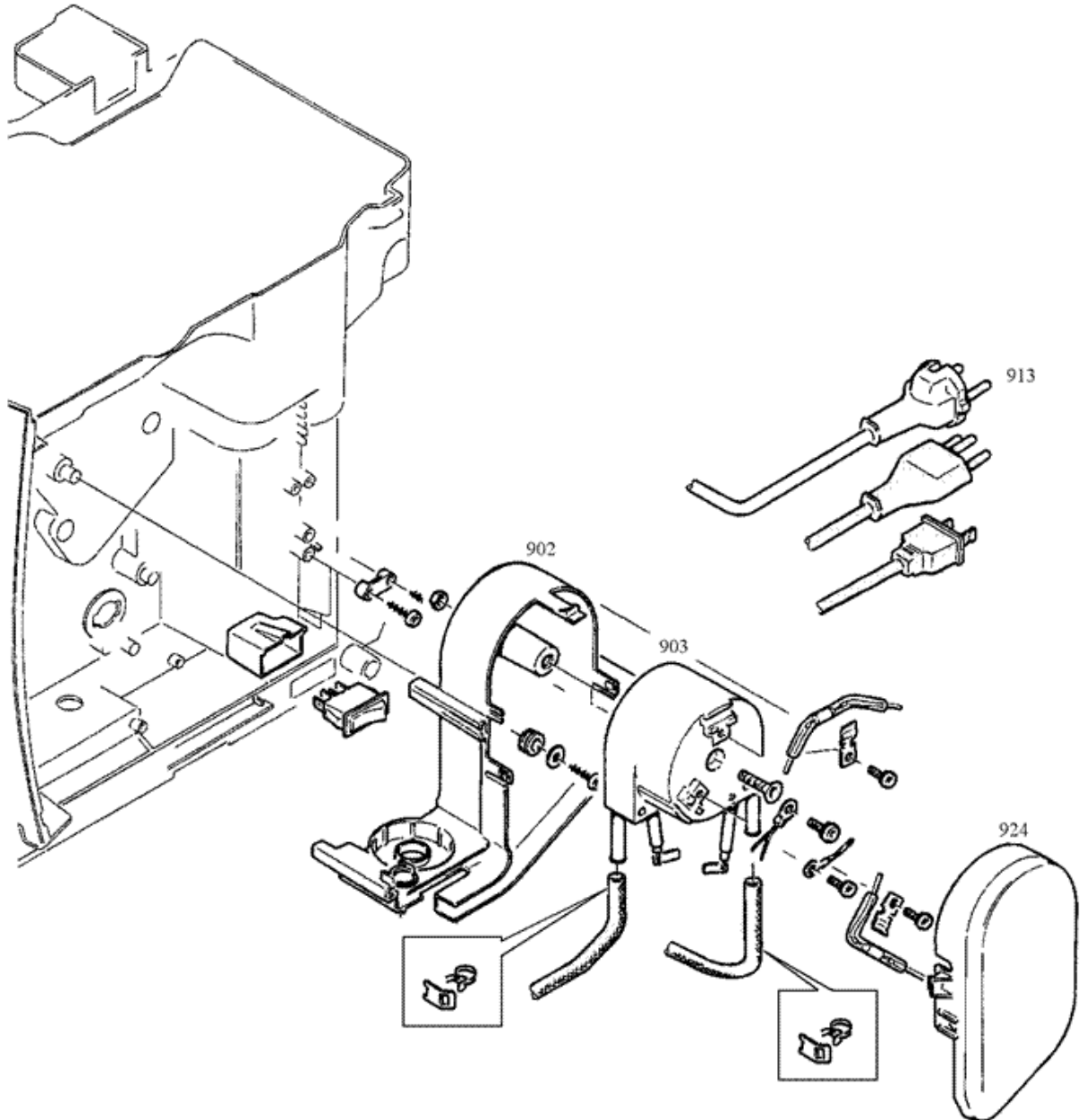
RP13308_08



Pos	Designation	Material	Disassembly	Disposal	Variation	Return
0812	Pump carrier black 70 Sh	NBR				
0815	Pump 110- 120V/60Hz	Electro			x	
0815	Pump 230V/50Hz/60W	Electro			x	
0816	Absorber set	NBR / High-grade steel				
0823	Magnet drainage valve IEC 230V	Copper / Steel / Plastic			x	
0823	Magnet drainage valve IEC 120V	Copper / Steel / Plastic			x	
0824	Holder	PP / TPE				
0826	Thermostat anodizes	AL / High-grade steel				
0837	Soupape céramique	PBT / POM / PA / High-grade steel / Ceramic / Silicone				

(9) Heater

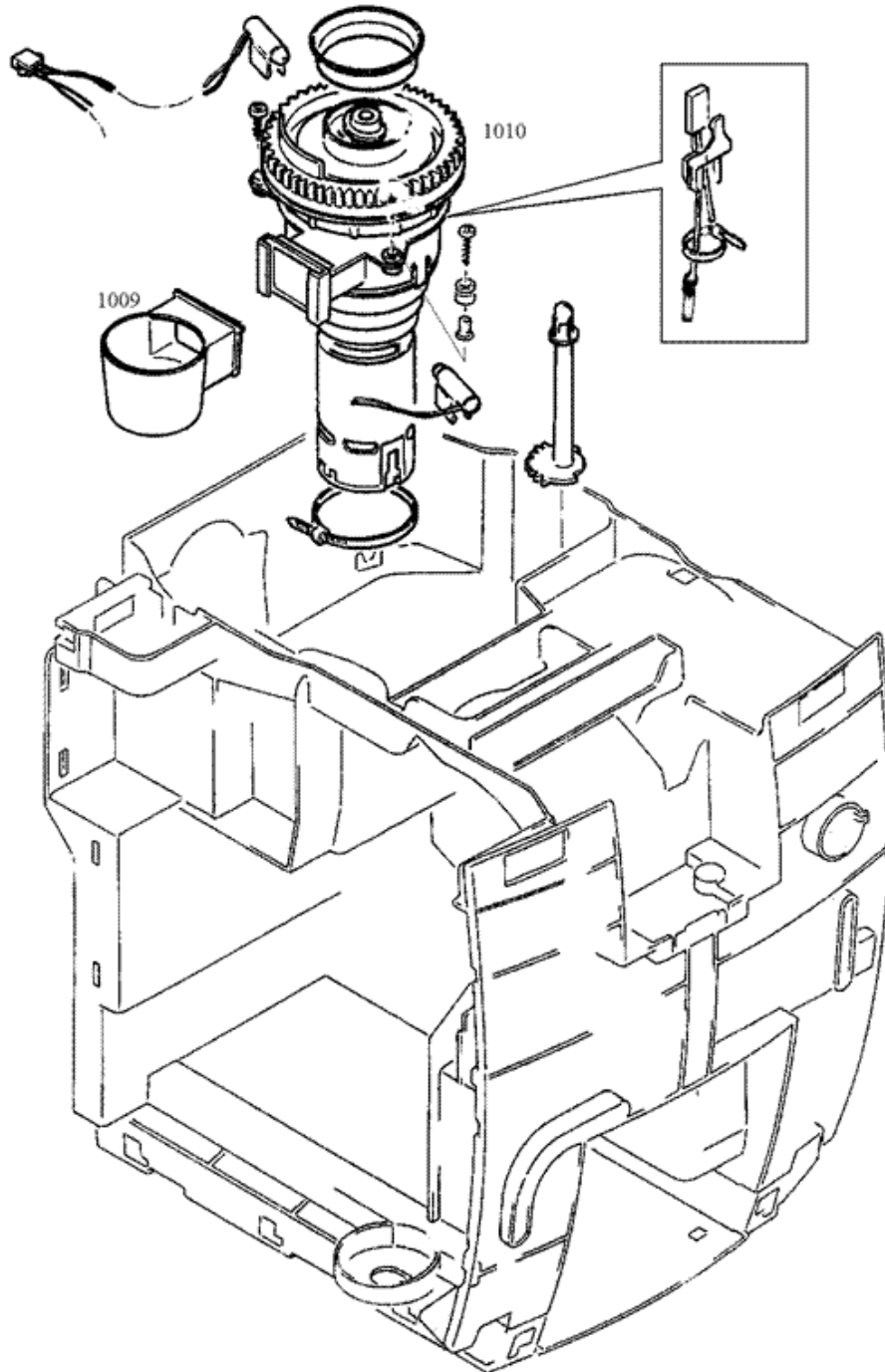
S13308_09



Pos	Designation	Material	Disassembly	Disposal	Variation	Return
0902	Heating support thermoblock	PA				
0903	Thermoblock 2003 120V/1400W	AL / Steel			x	
0903	Thermoblock 2003 230V/1400W	AL / Steel			x	
0913	Incoming feeder sw RoHS	Copper / Gum				
0924	Lid TB2003	PA				

(10) Grinder

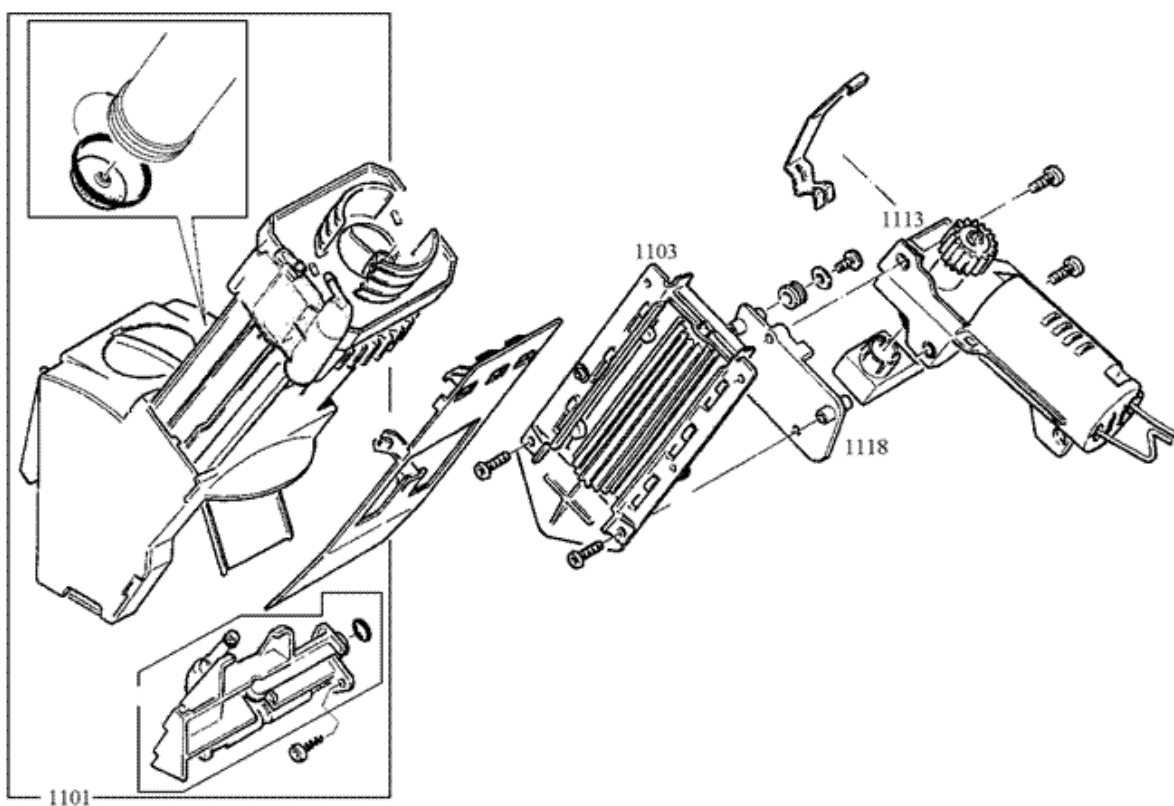
S13308_10



Pos	Designation	Material	Disassembly	Disposal	Variation	Return
1009	Funnel black	ABS				
1010	Grinder unit 230V "choke"	Electro / POM / PA / ABS / NBR / Steel / Messing			x	
1010	Grinder unit Domel F 120V	Electro / POM / PA / ABS / NBR / Steel / Messing			x	

(11) Brew unit and drive

S13308_11



Pos	Designation	Material	Disassembly	Disposal	Variation	Return
1101	Brew unit assembled	ABS / POM / PA / NBR / Steel / Silicone				
1103	Guide assembled quiet	AL / POM				
1113	Geared motor	Electro / Messing / POM				
1118	Plate	AL				