

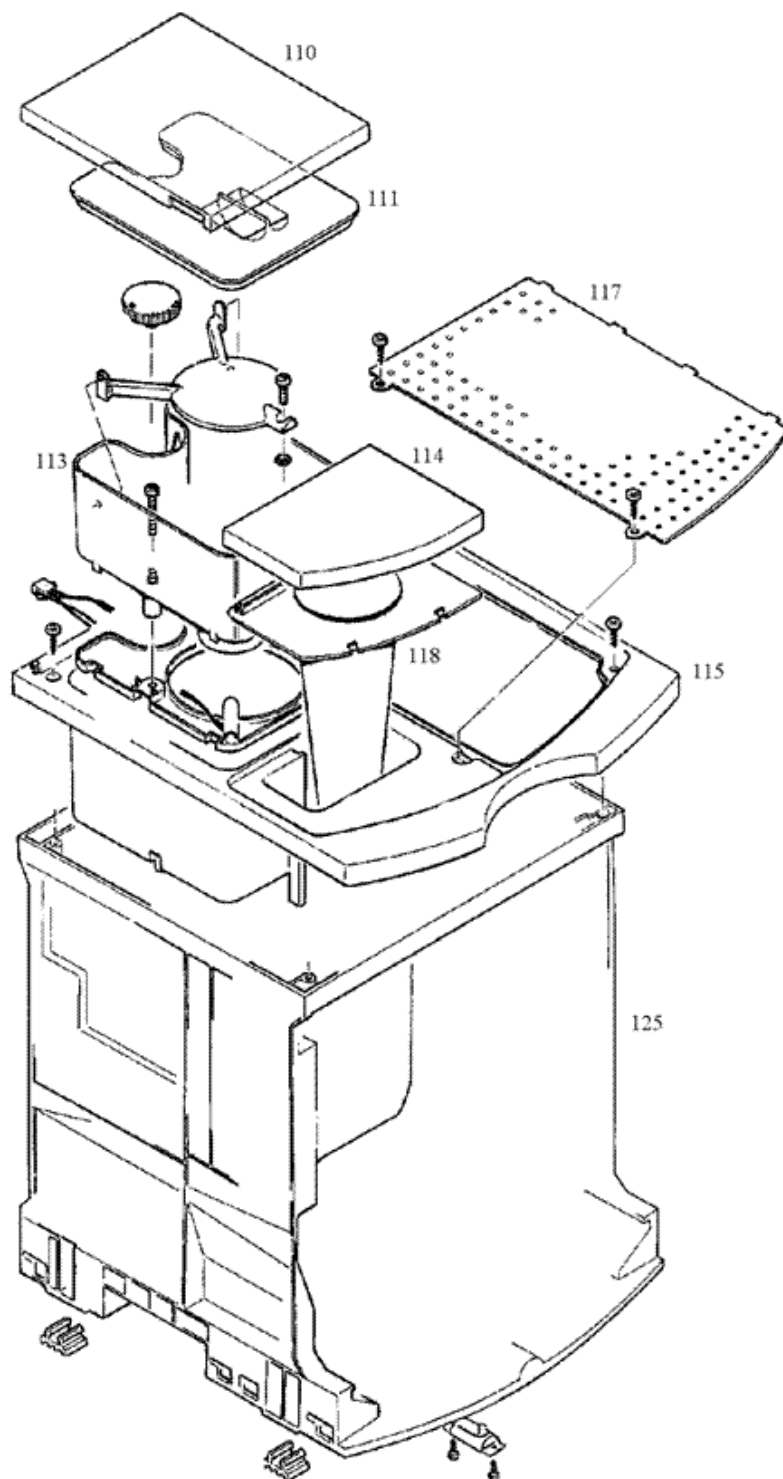
The recycling passport is valid for the following articles:

- 13360 Impresa S9 OT platinum (CH)
- 13361 Impresa S9 OT platinum (EU)
- 13423 Impresa S9 OT platinum (UL/JC)
- 13424 Impresa S9 OT platinum (EU INT)
- 13448 Impresa S9 OT platinum (UL)
- 13520 Impresa S9 OT platinum (AUS)

The Variant designations mean:

(1) Case cover

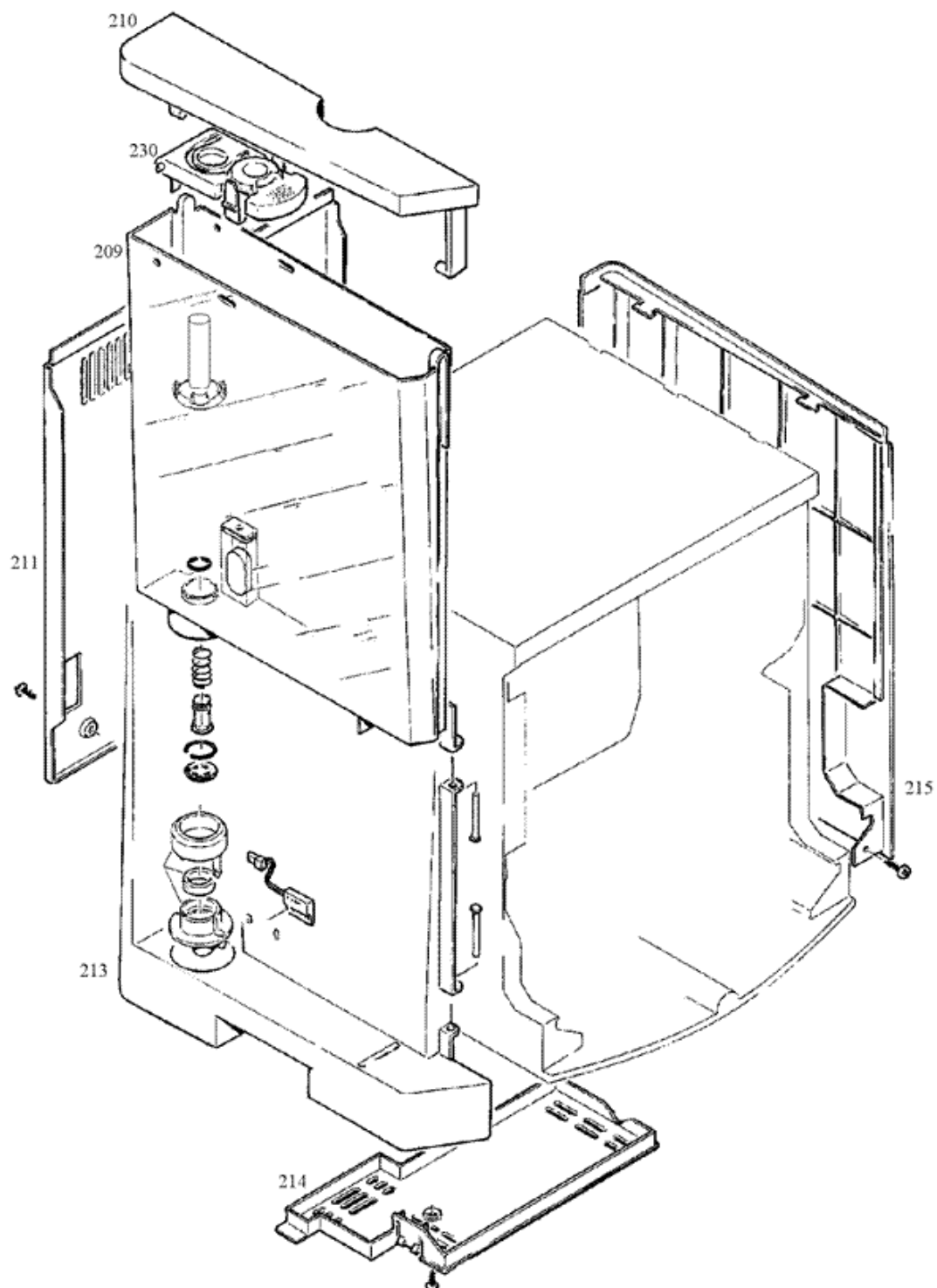
S13360_01



Pos	Designation	Material	Disassembly	Disposal	Variation	Return
0110	Container lid	ABS				
0111	Lid to preserve aroma	SAN				
0113	Bean container black	PP / SAN / Messing				
0114	Powder funnel lid	ABS				
0115	Housing lid complete platinum	ABS / Messing				
0117	Cup support	High-grade steel				
0118	Powder funnel black	ABS				
0125	Components support S7/S9	ABS				

(2) Case components and water tank

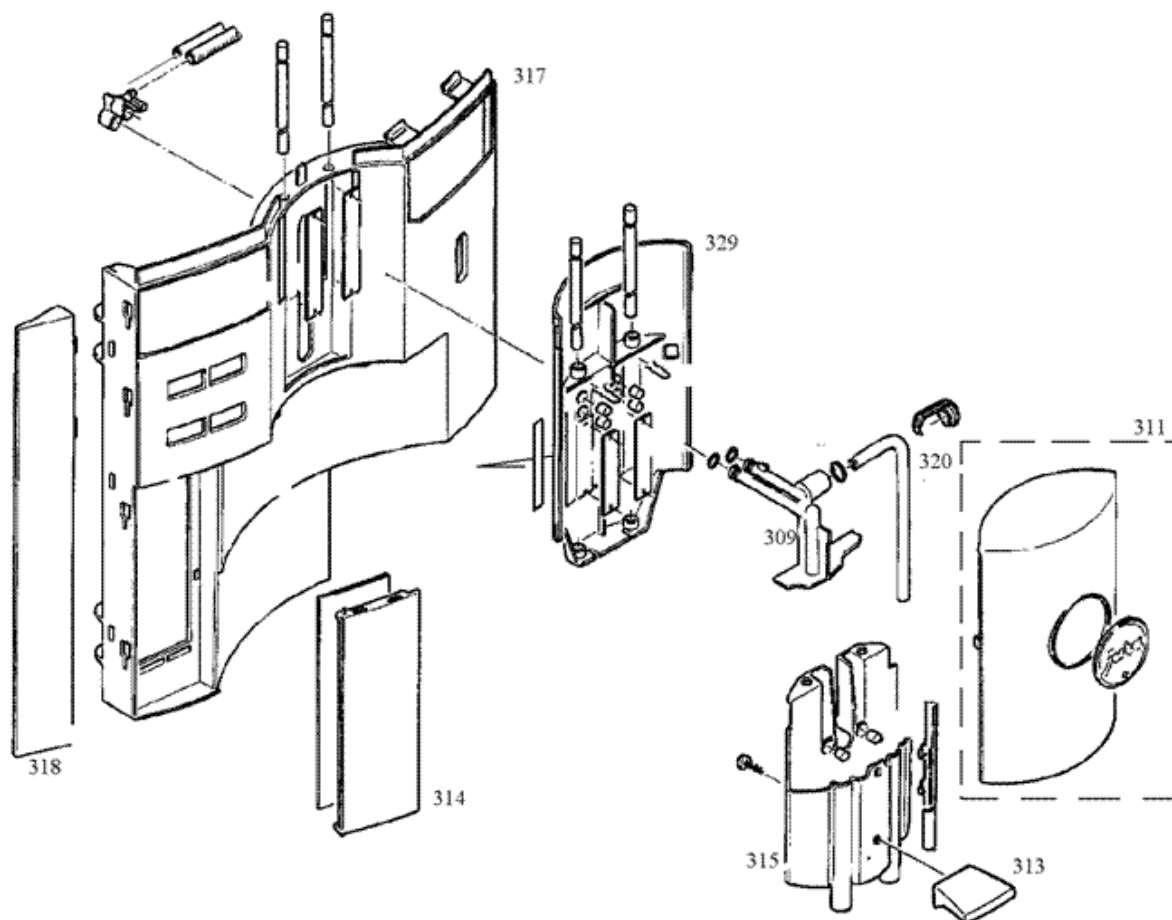
S13360_02



Pos	Designation	Material	Disassembly	Disposal	Variation	Return
0209	Watertank-Kit Impressa	Plastic				
0210	Tank lid	ABS				
0211	Back platinum	ABS				
0213	Tank base platinum	ABS				
0214	Cover cable case	ABS				
0215	Right side section	ABS				
0230	Bracket s-line	PP / ABS				

(3) Front cover

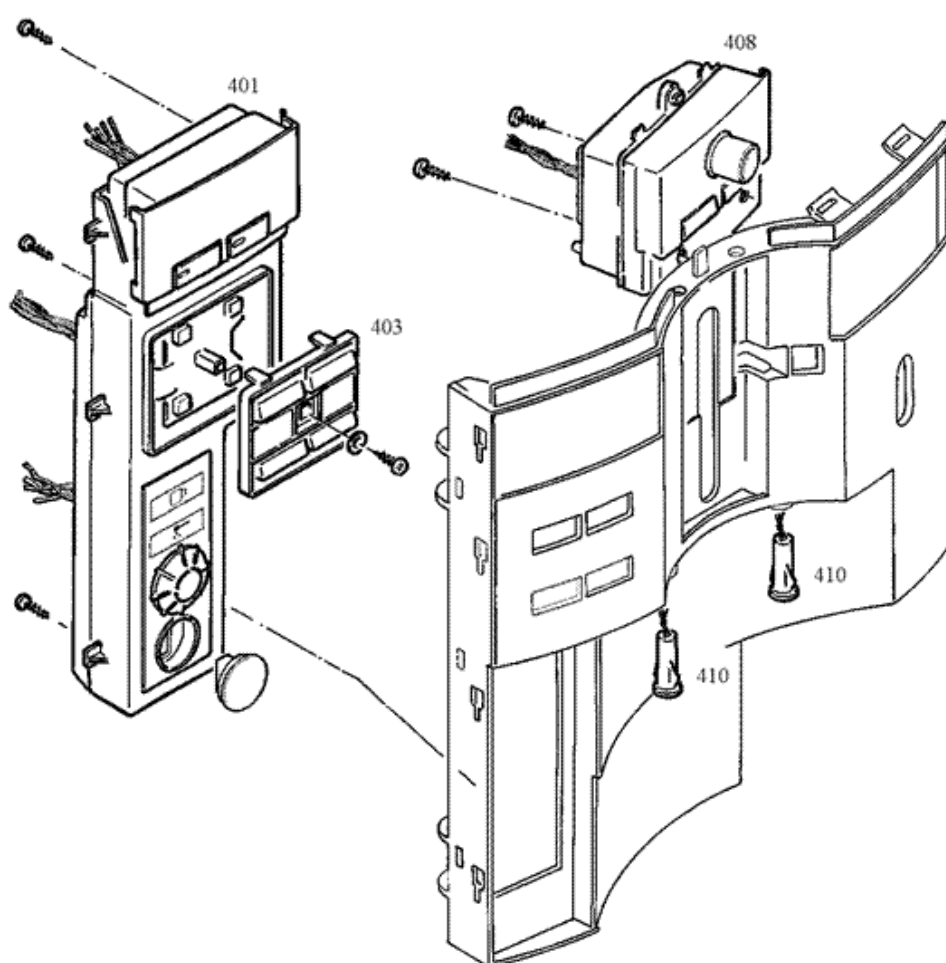
S13360_03



Pos	Designation	Material	Disassembly	Disposal	Variation	Return
0309	Injection piece	PA				
0311	Outlet gate front chromium	ABS / SK				
0313	Handle chromium plated	ZN				
0314	Hinged cover platinum	ABS				
0315	Dispenser silver	ABS / Steel				
0317	Front cover platinum	ABS / Steel				
0318	Front shield platinum	ABS				
0320	Water tube	Steel				
0329	Outlet gate	Steel / PBT				

(4) Control elements

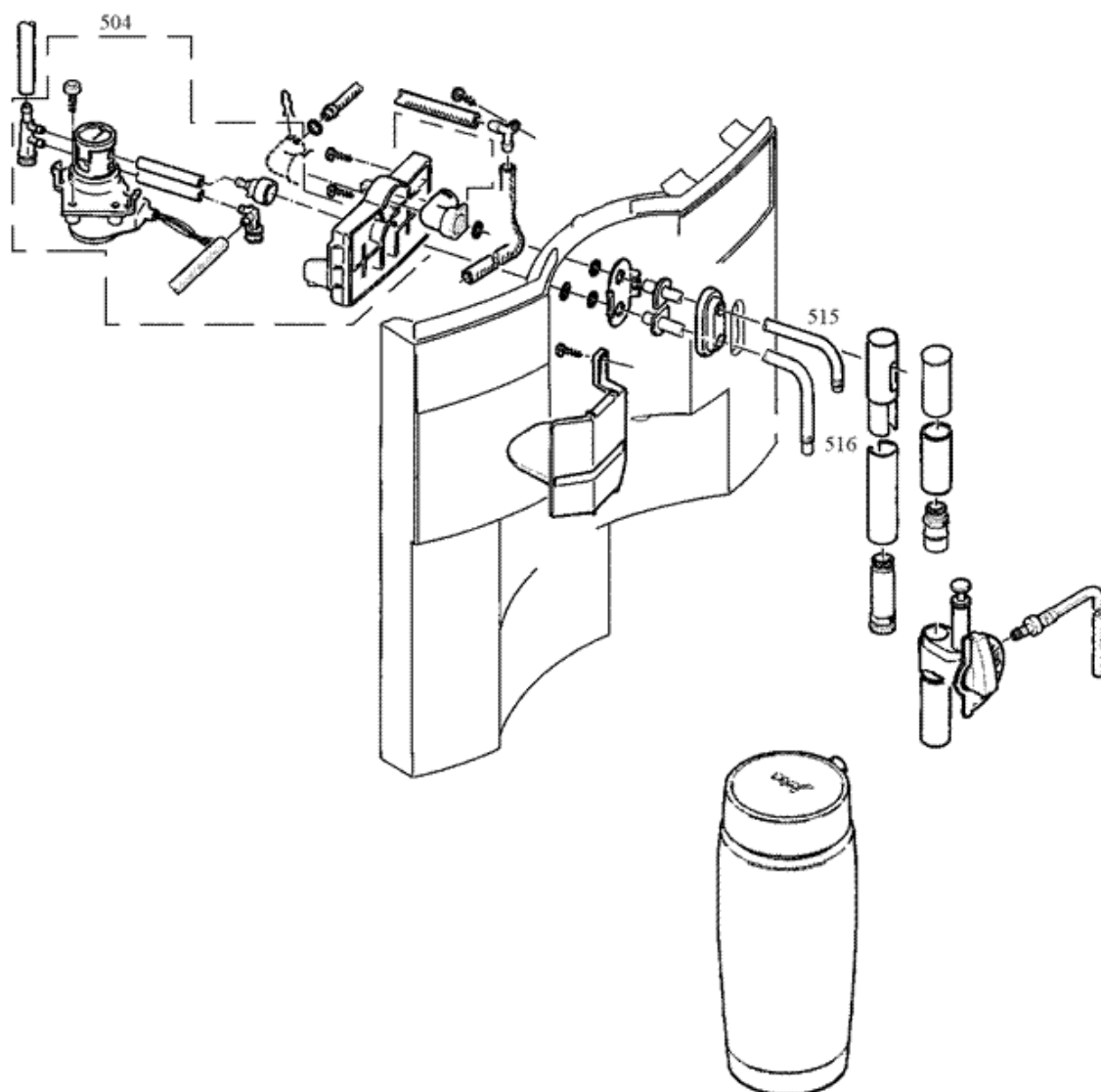
S13360_04



Pos	Designation	Material	Disassembly	Disposal	Variation	Return
0401	Logic pcb S9 OT	Electronic		Accu		
0403	Push button rake coffee	ABS				
0408	Steam pcb S9 OT	Electronic				
0410	Light LED	Electronic				

(5) Cappu

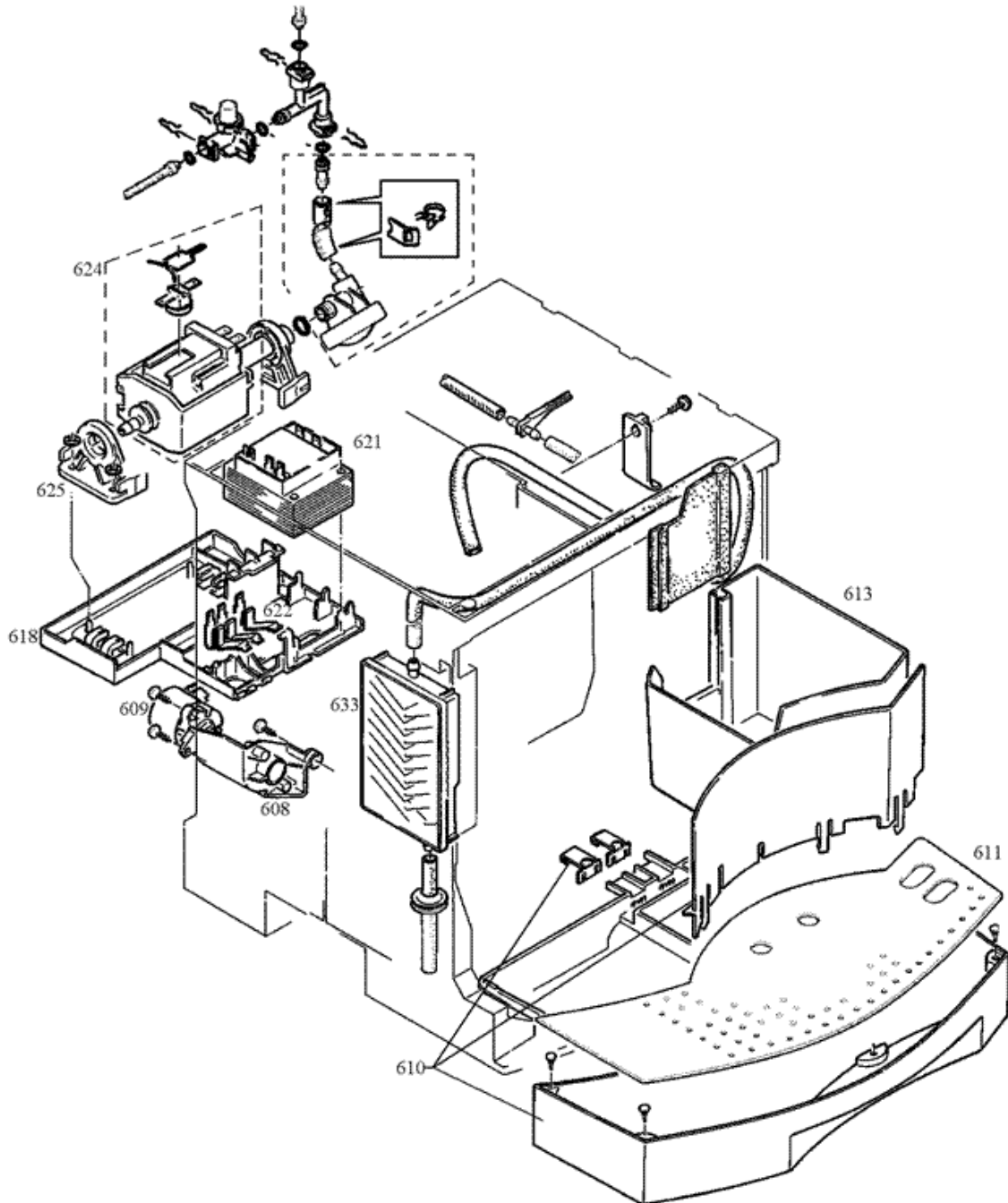
S13360_05



Pos	Designation	Material	Disassembly	Disposal	Variation	Return
0504	Squeezing-valve	Electro / PA / Steel / Silicone				
0515	Discharge pipe inox	Steel				
0516	Discharge channel	Steel				

(6) Support plate and tray

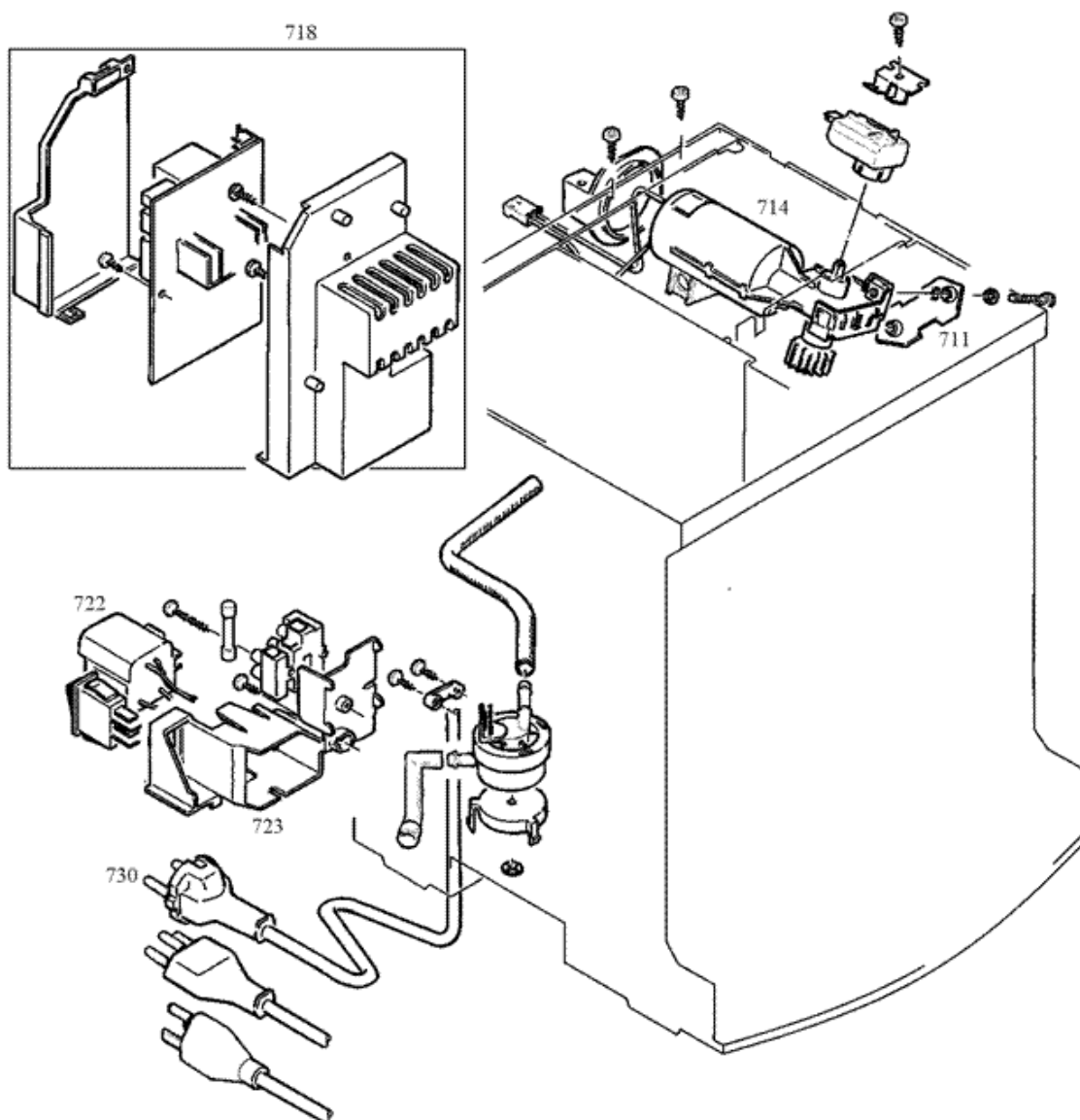
S13360_06



Pos	Designation	Material	Disassembly	Disposal	Variation	Return
0608	Motor support	ABS				
0609	Drain motor	Electro				
0610	Drain pan platinum	ABS / Steel / TPE				
0611	cup platform inox	Steel				
0613	Used ground container complete	PP / NBR				
0618	Pump support V2	PP				
0621	Transformer 230V	Electro			X	
0621	Transformer 120V UL	Electro			X	
0622	Detection spring	BR				
0624	Pump 110-120V/60Hz	Electro			X	
0624	Pump CP.02.315.0	Electro			X	
0625	Pump carrier version 2	Gum				
0633	Condens casing	PP				

(7) Printed power circuit board and drive

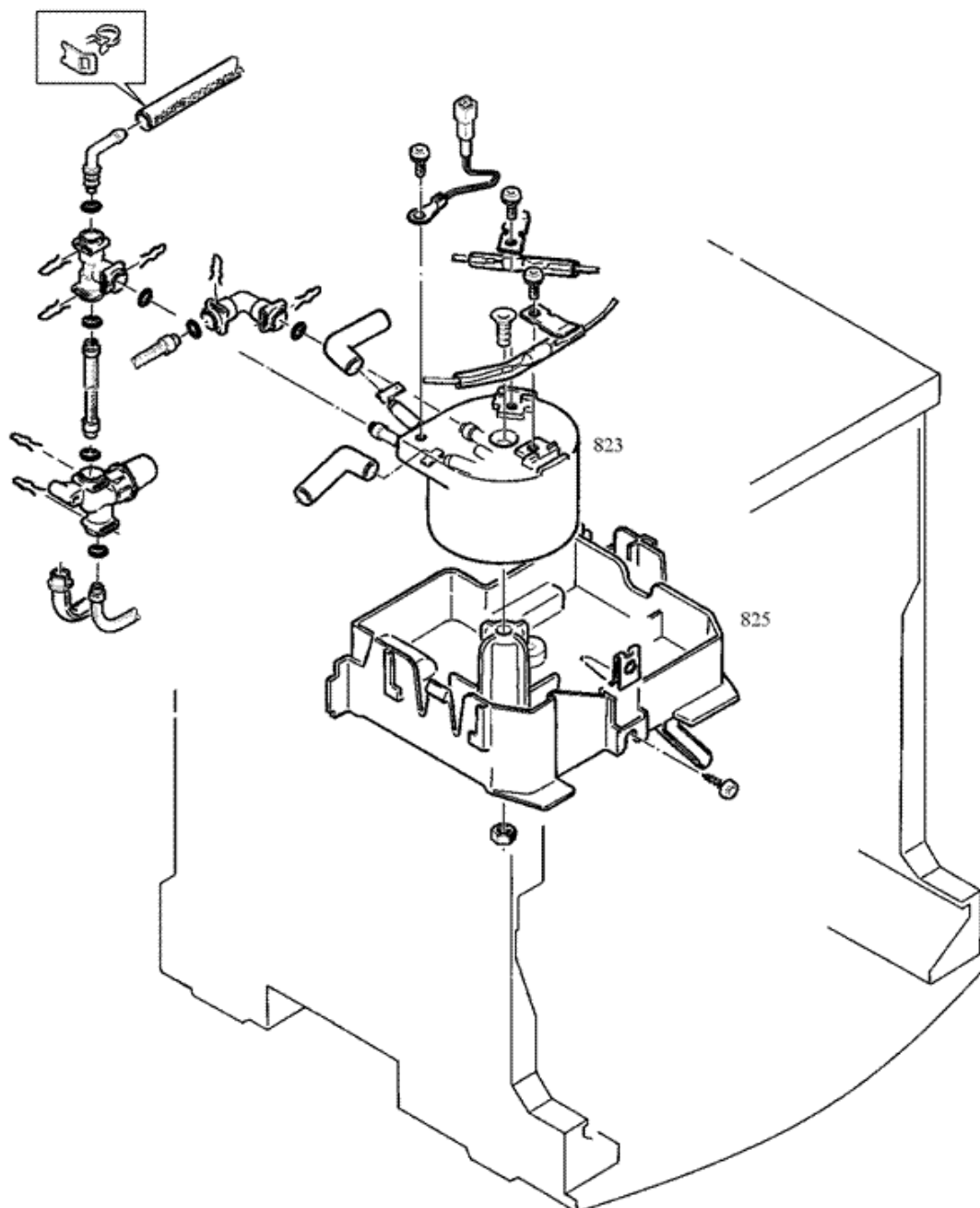
S13360_07



Pos	Designation	Material	Disassembly	Disposal	Variation	Return
0711	Clamp	ZN				
0714	Geared motor V2	Electro / Messing / POM				
0718	Power pcb 120V US kpl	Electronic			x	
0718	Power pcb S9 OT 230V	Electronic			x	
0722	Interference eliminator	Electro				
0723	Sieve holder V2 IEC	PPO				
0730	Incoming feeder sw RoHS	Copper / Gum				

(8) Heater coffee

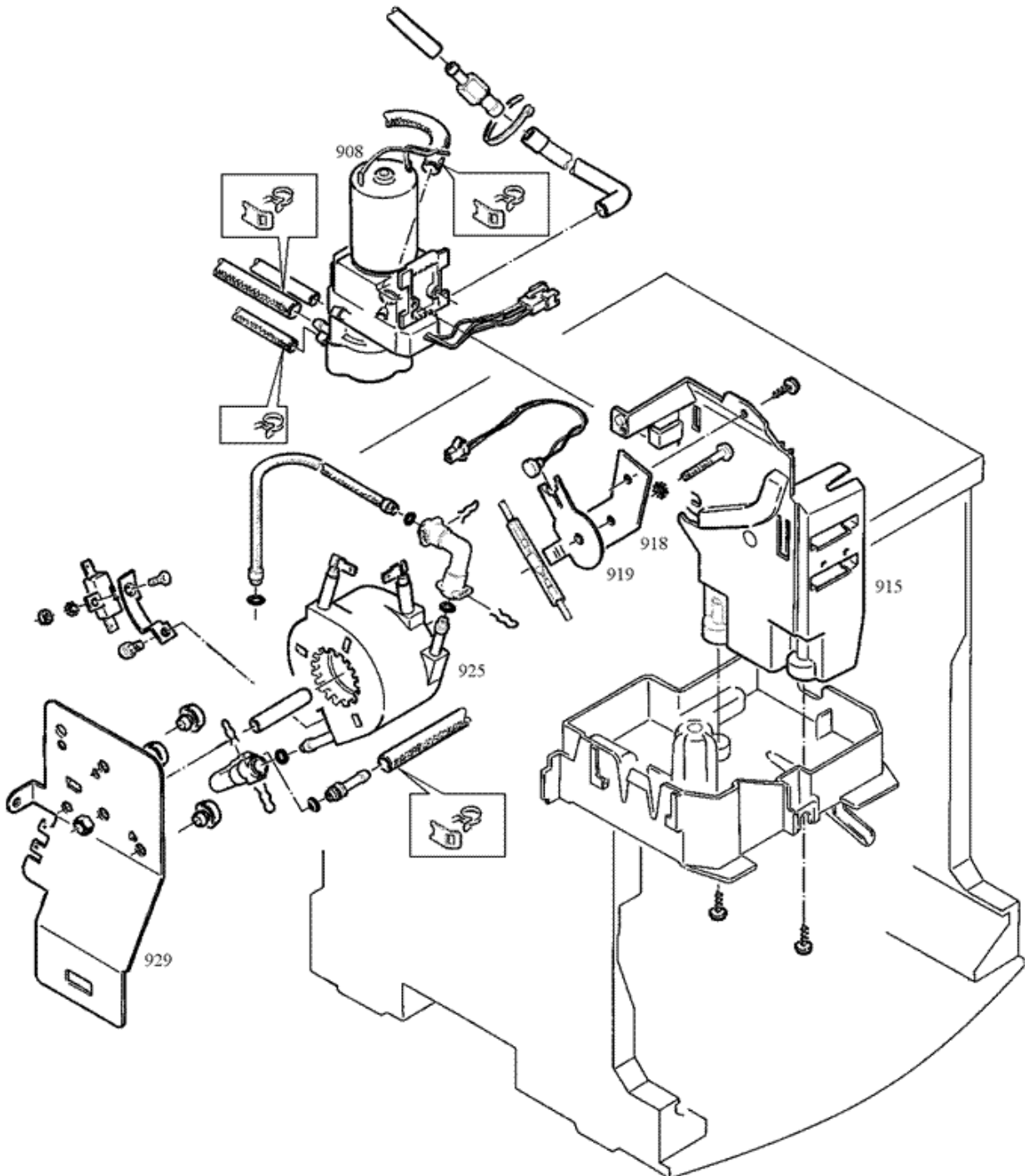
S13360_08



Pos	Designation	Material	Disassembly	Disposal	Variation	Return
0823	Thermoblock 2003/L 120V/1200W	AL / Steel			X	
0823	T-Block sold. nipp. 230V/1400W	AL / High-grade steel			X	
0825	Heating support nature	PA				

(9) Heater steam

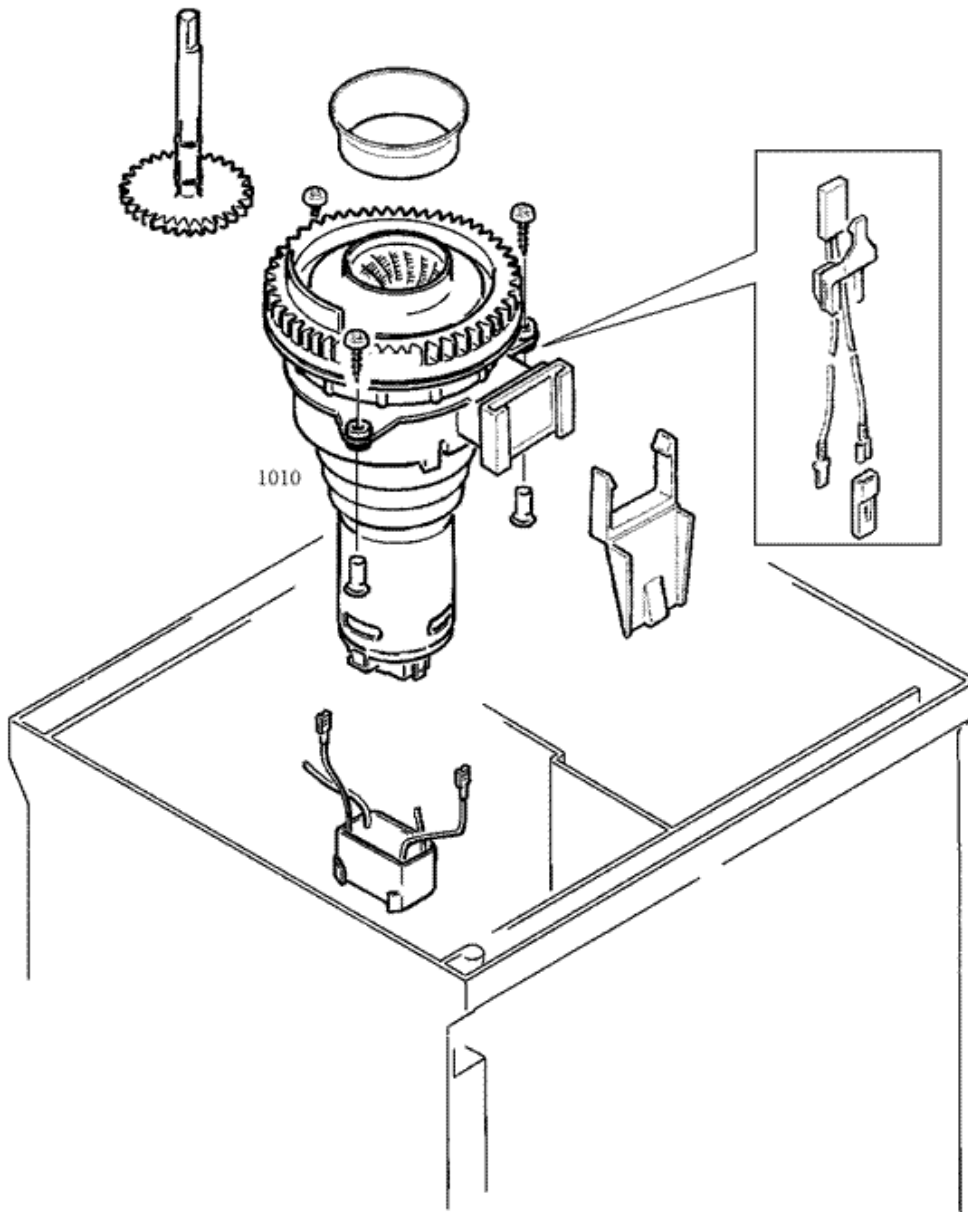
S13360_09



Pos	Designation	Material	Disassembly	Disposal	Variation	Return
0908	Soupape céramique	Electro / PA / Steel / Silicone / Ceramic				
0915	Support	PA				
0918	Spacer	Steel				
0919	Clamp to thermoblock head	Steel				
0925	Thermoblock 2000/L 120V/1200W	AL / Steel			x	
0925	Thermoblock 2000/L 230V/1200W	AL / Steel			x	
0929	Heating support	Steel				

(10) Grinder

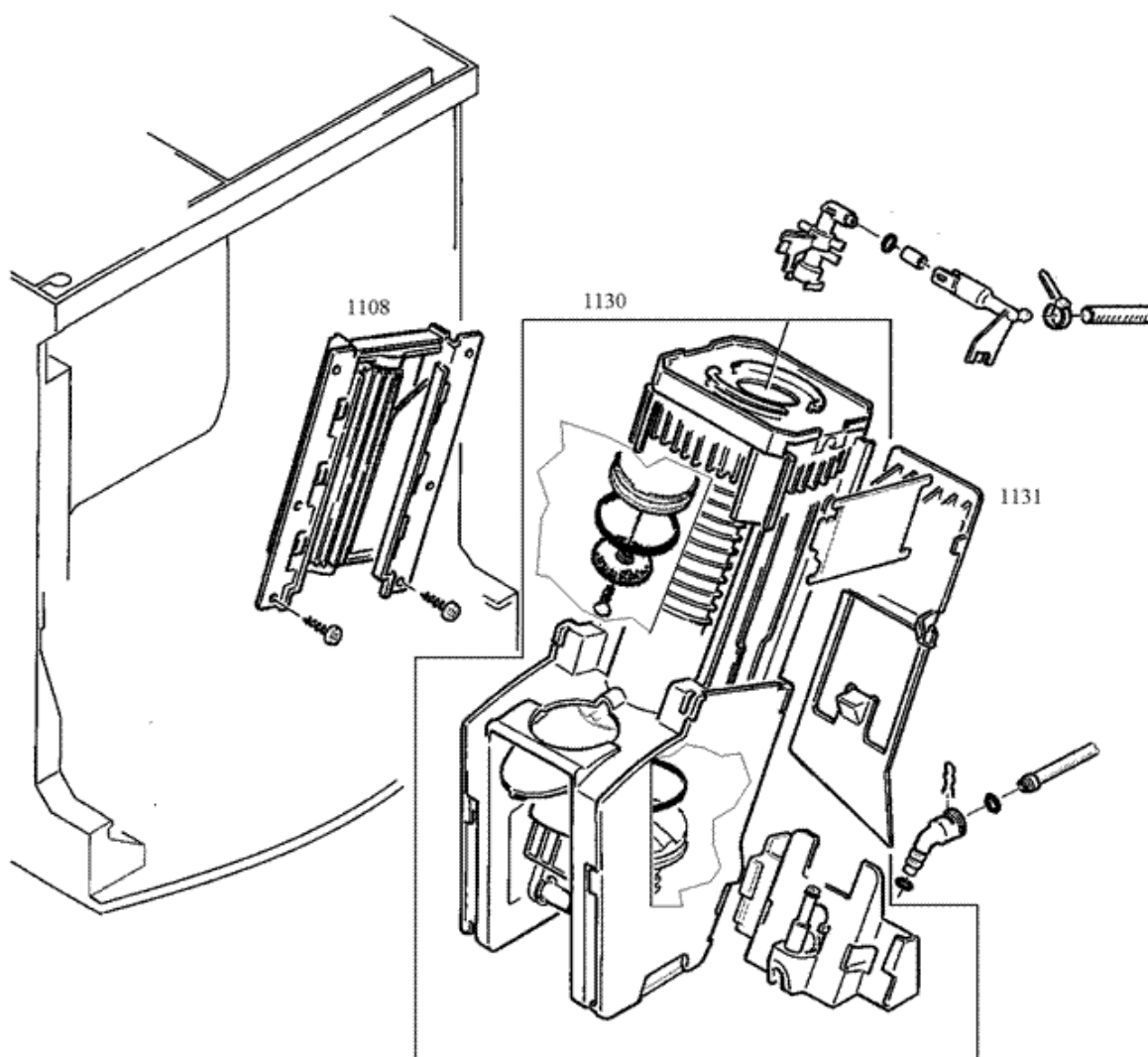
S13360_10



Pos	Designation	Material	Disassembly	Disposal	Variation	Return
1010	Grinder unit Domel 230V V2	Electro / POM / PA / NBR / Steel / Messing			X	
1010	Grinder unit 120V F V2	Electro / POM / Steel / NBR / Messing			X	

(11) Brew unit

S13360_11



Pos	Designation	Material	Disassembly	Disposal	Variation	Return
1108	Guide 107mm	AL / POM				
1130	Brew unit universal	POM / PA / Steel				
1131	Used ground blade	POM				